

# Customer Information Sheet

DRAWING No.: M50-490XX45

SHEET 2 OF 2

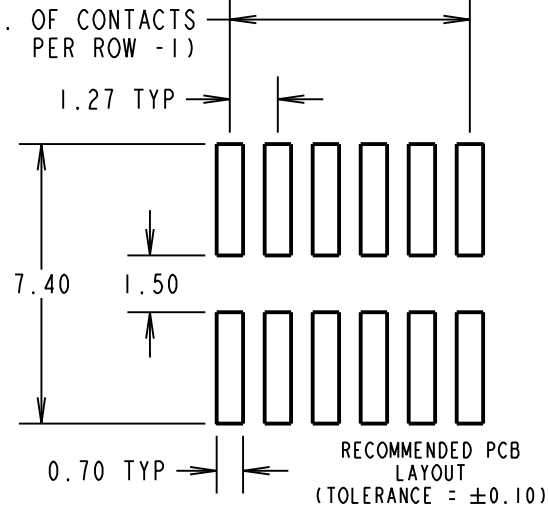
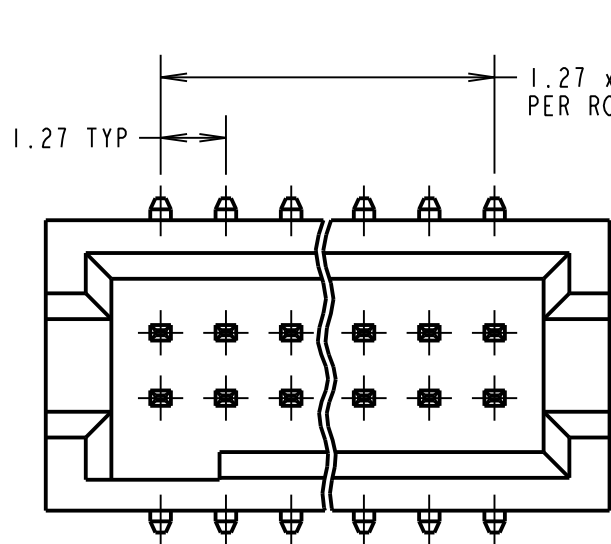
IF IN DOUBT - ASK

©

NOT TO SCALE

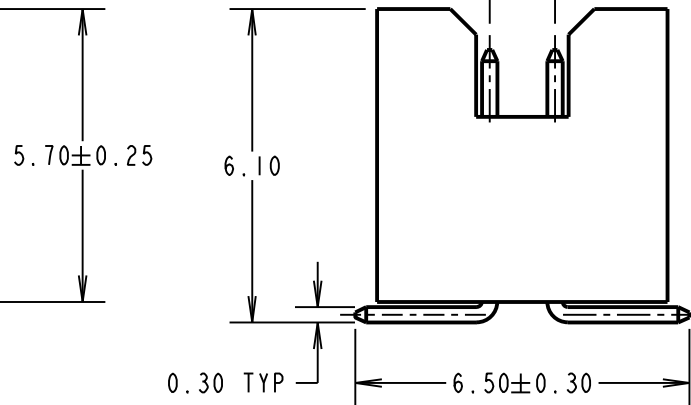
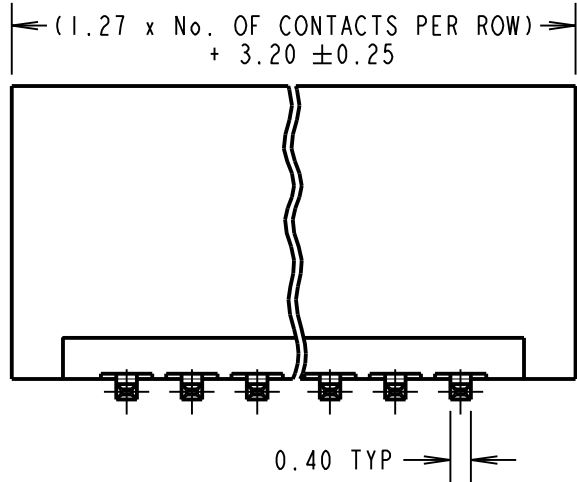
THIRD ANGLE PROJECTION

ALL DIMENSIONS IN mm



**SPECIFICATIONS:**  
**MATERIAL:**  
 MOULDING = LCP UL94V-0, BLACK  
 CONTACT = COPPER ALLOY  
**FINISH:**  
 CONTACT = GOLD  
**ELECTRICAL:**  
 CURRENT RATING = 1A  
 VOLTAGE PROOF = 300V AC/DC  
 CONTACT RESISTANCE = 20mΩ MAX  
 INSULATION RESISTANCE = 1,000MΩ MIN  
**MECHANICAL:**  
 DURABILITY = 100 CYCLES MIN  
**ENVIRONMENTAL:**  
 OPERATING TEMPERATURE = -40°C TO +105°C  
**PACKING:**  
 TUBE  
 FOR COMPLETE SPECIFICATION, SEE COMPONENT SPECIFICATION C029XX (LATEST ISSUE)

**ORDER CODE:**  
**M50-490XX45**  
 No. OF CONTACTS PER ROW: 05 TO 50  
 FINISH: GOLD ALL OVER CONTACT



**NOTE:**  
 1. ALL TOLERANCES ARE ±0.15, UNLESS OTHERWISE STATED.

SB	8	27.08.13	11873
NAME	ISS.	DATE	C/NOTE
APPROVED: S.BENNETT			
CHECKED: S.FLOWER			
DRAWN: J. ENRIGHT			
CUSTOMER REF.:			
ASSEMBLY DRG:			

## HARWIN

www.harwin.com  
 technical@harwin.com

THIS DRAWING AND ANY INFORMATION OR DESCRIPTIVE MATTER SET OUT HEREON ARE CONFIDENTIAL AND COPYRIGHT PROPERTY OF THE HARWIN GROUP AND MUST NOT BE DISCLOSED, LOANED, COPIED OR USED FOR MANUFACTURING, TENDERING OR FOR ANY OTHER PURPOSE WITHOUT THEIR WRITTEN PERMISSION.

**TOLERANCES**  
 / = ±1mm  
 X.X = ±0.25mm  
 X.XX = ±0.10mm  
 X.XXX = ±0.01mm  
 ANGLES = ±5°  
 UNLESS STATED

**MATERIAL:**  
 SEE ABOVE  
**FINISH:** SEE ABOVE  
**S/AREA:** mm<sup>2</sup>

**TITLE:**  
 1.27mm PITCH DIL SMT PIN HEADER ASSY  
**DRAWING NUMBER:**  
**M50-490XX45**  
 SHT 2 OF 2