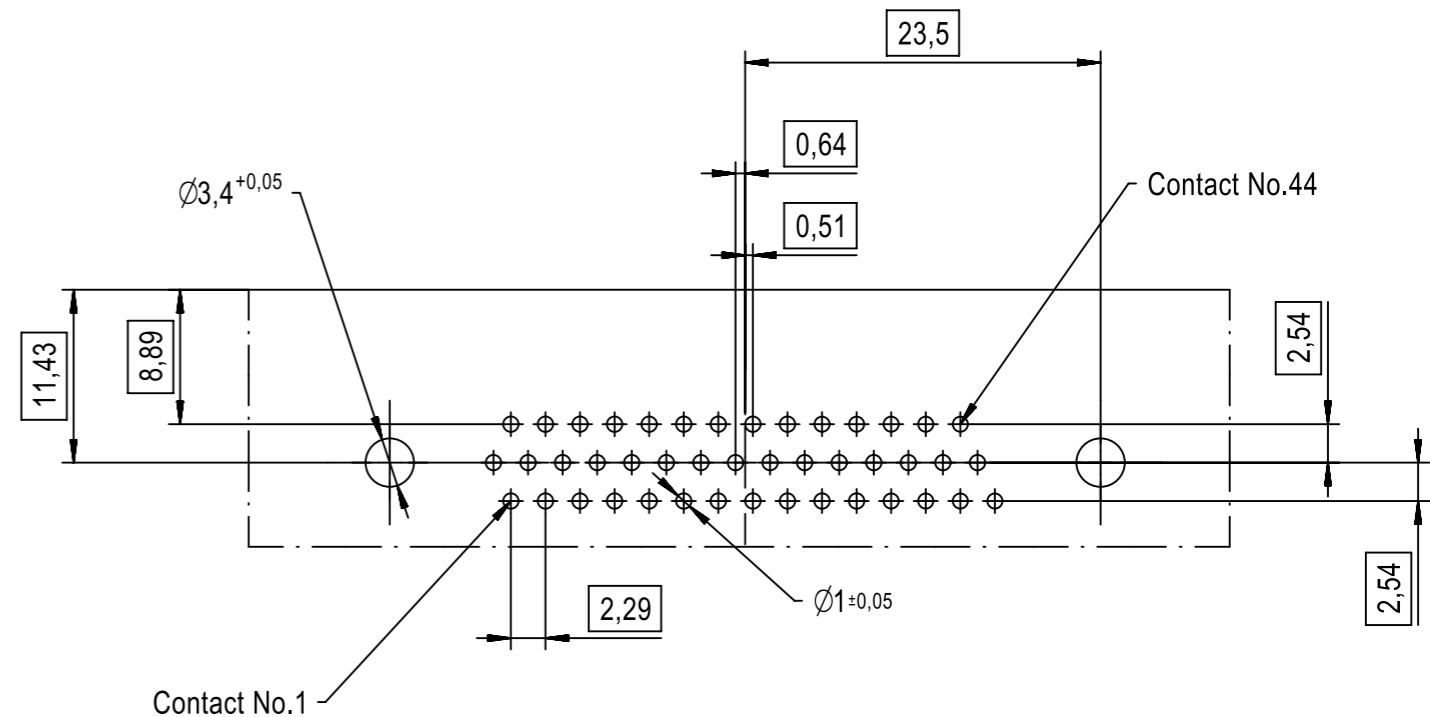
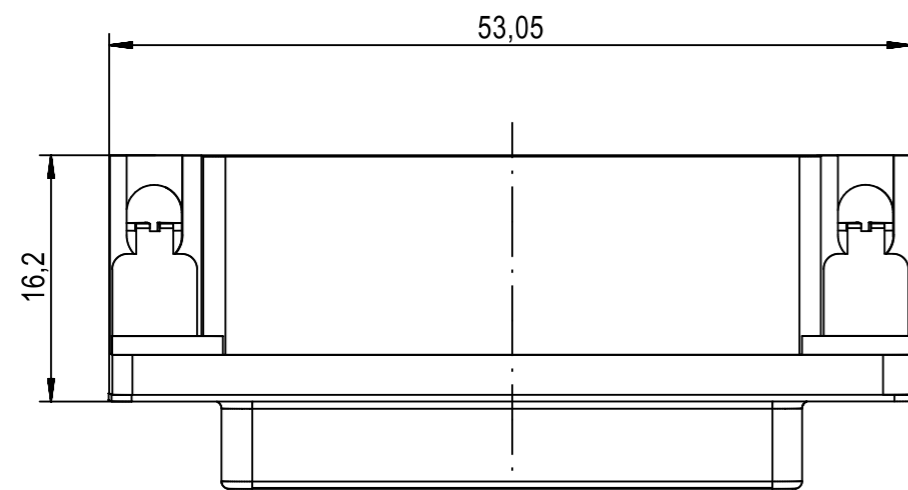


PC-Board layout  
view component side  
thickness 1,6 mm



09563525612	S4
09563527612	PL3
Part number	Performance level

	All rights reserved Department EC PD - FR HARTING Electronics GmbH D-32339 Espelkamp	All Dimensions in mm Original Size DIN A3	Scale 2:1	Free size tol.	Ref. Sub.
		Created by DOUGE	Inspected by BAGDIKIAN	Standardisation HOFFMANN	Date 2013-10-25
		Title D-Sub HD 44P female angled board locks			Doc-Key / ECM-Nr. 100510345/UGD/001/B 50000065862
		Type TB	Number 0956352X612		Rev. B Page 1/1