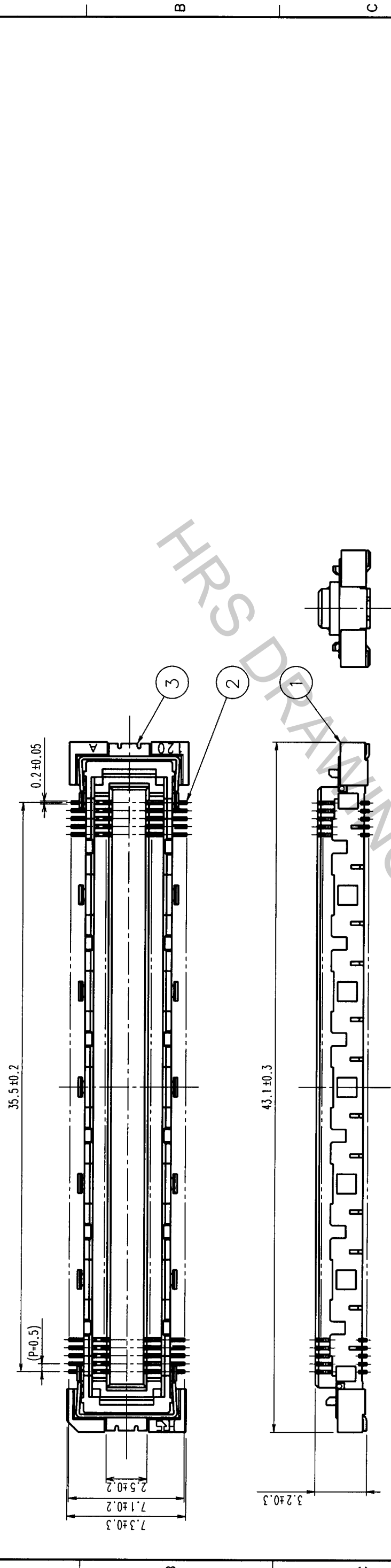
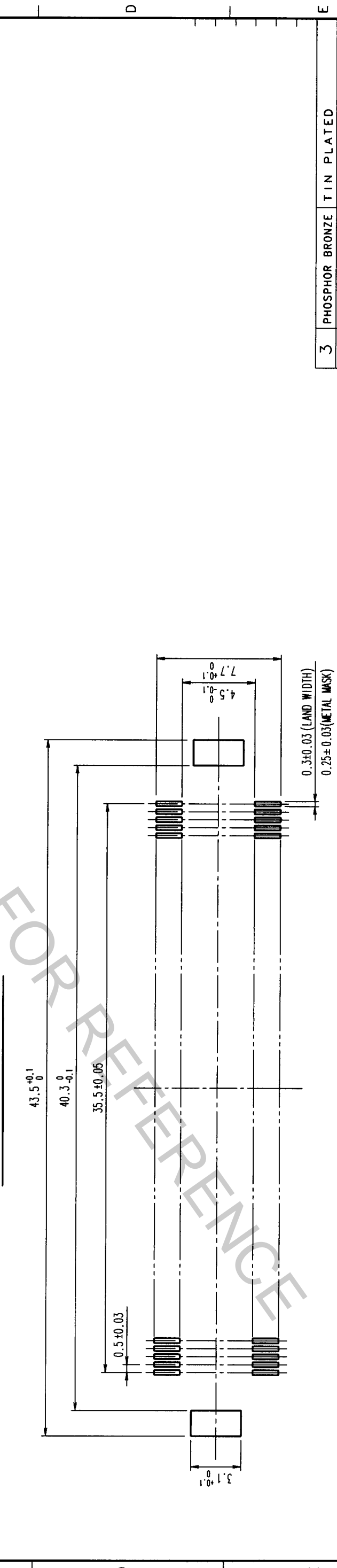


COUNT	DESCRIPTION OF REVISIONS	BY	CHKD	DATE	COUNT	DESCRIPTION OF REVISIONS	BY	CHKD	DATE
△					△				
△					△				
△					△				



RECOMMENDED LAND PATTERN



NO.	MATERIAL	FINISH, REMARKS	FINISH, REMARKS
3	PHOSPHOR BRONZE	TIN PLATED	
2	PHOSPHOR BRONZE	CONTACT AREA: GOLD (0.1μm) OVER NICKEL LEAD: GOLD PLATED (FLASH) OVER NICKEL	
1	LCP	BEIGE	UL94V-0

NO.	MATERIAL	FINISH, REMARKS	FINISH, REMARKS
	CL		

DRAWN	J. Sakoda	DESIGNED	J. Sakoda	CHECKED	M. Sakoda	APPROVED	J. Yoshimura	RELEASED	
DATE	99.10.18	DATE	99.10.18	DATE	99.10.18	DATE	99.10.18	DATE	

DRAWING NO.	EDC3-151990	PART NO.	FX10B-14S-SV
SCALE	4 : 1	CODE NO.	CL570-0253-8
UNITS	mm		

- NOTES
- 1 SMT LEAD-COPLANARITY: 0.1 MAX.
 - 2 THIS PRODUCT HAS NO POLARITY TO MOUNT ON THE RECOMMENDED LAND PATTERN.

TO	
PCK	