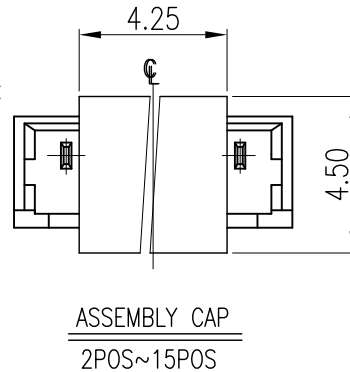
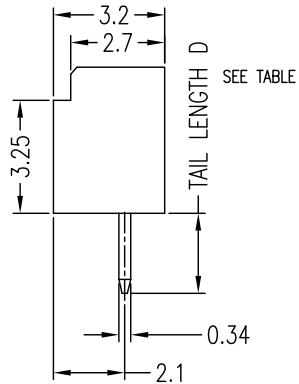
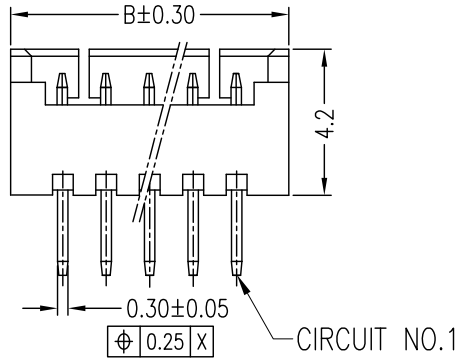


PRELIMINARY



NOTES

1. SPECIFICATIONS

- Current Rating: 1A AC,DC
- Voltage Rating: 125V AC,DC
- Temperature Range: -40°C ~ +105°C
- Contact Resistance: 20mΩ Max.
- Insulation Resistance: 100MΩ Min.
- Withstanding Voltage: 500V AC/minute

2. Material & Finish:

- Housing&CAP: Natural Thermoplastic, UL94V-0
- Contact and metal hold-down: Phosphor Bronze
- Plating of contact: Matte Tin or gold plating over Nickel

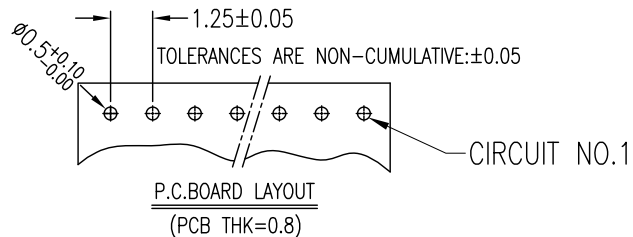
3. Crimping application hand tool P/N: 10118656-1000

4. Ordering information & Dimensions:

- 10114829- X X X X LF
- Material: 1: LCP Natural, 2: LCP Black
  - LF: See note A
  - pin code from 02~15(D=2.30mm)
  - pin code from 22~35(D=1.90mm)
  - Plating: 0: Matte Tin, 1: Gold Flash, 3: Gold 30u" on contact area
  - Packaging: 1: Tape & Reel, 2: Tape & Reel+CAP

Part No.		Dimensions			
D=2.30mm	D=1.90mm	POS	A	B	C
10114829-xxx02LF	10114829-xxx22LF	2	1.25±0.10	4.25	3.05
10114829-xxx03LF	10114829-xxx23LF	3	2.50±0.10	5.50	4.30
10114829-xxx04LF	10114829-xxx24LF	4	3.75±0.10	6.75	5.55
10114829-xxx05LF	10114829-xxx25LF	5	5.00±0.10	8.00	6.80
10114829-xxx06LF	10114829-xxx26LF	6	6.25±0.15	9.25	8.05
10114829-xxx07LF	10114829-xxx27LF	7	7.50±0.15	10.50	9.30
10114829-xxx08LF	10114829-xxx28LF	8	8.75±0.15	11.75	10.55
10114829-xxx09LF	10114829-xxx29LF	9	10.00±0.15	13.00	11.80
10114829-xxx10LF	10114829-xxx30LF	10	11.25±0.20	14.25	13.05
10114829-xxx11LF	10114829-xxx31LF	11	12.50±0.20	15.50	14.30
10114829-xxx12LF	10114829-xxx32LF	12	13.75±0.20	16.75	15.55
10114829-xxx13LF	10114829-xxx33LF	13	15.00±0.20	18.00	16.80
10114829-xxx14LF	10114829-xxx34LF	14	16.25±0.20	19.25	18.05
10114829-xxx15LF	10114829-xxx35LF	15	17.50±0.20	20.50	19.30

Note A: The LF means RoHS compliance, the housing will withstand exposure to peak temperature 260 degree C for 5 sec in the IR re-flow process.



mat'l. code		surface ISO 1302 ✓		tolerance ISO 406 ISO 1101		projection		product family	
ltr		ecn no		dr		date		tolerances unless otherwise specified	
A		T10-0145		JH		12/1/10		mm	
E		ELX-N-011322		J.Z		04/17/12		scale 1:1	
F		ELX-N-23435		TIM		03/02/16		product family	
								WTB	
								title	
								WTB 1.25MM WAFER 180 DIP	
								dwg no	
								sheet 1 of 1	
								size	
								A3	
								type	
								Product Customer Drawing	
sheet index		revision		F					
		sheet		1					