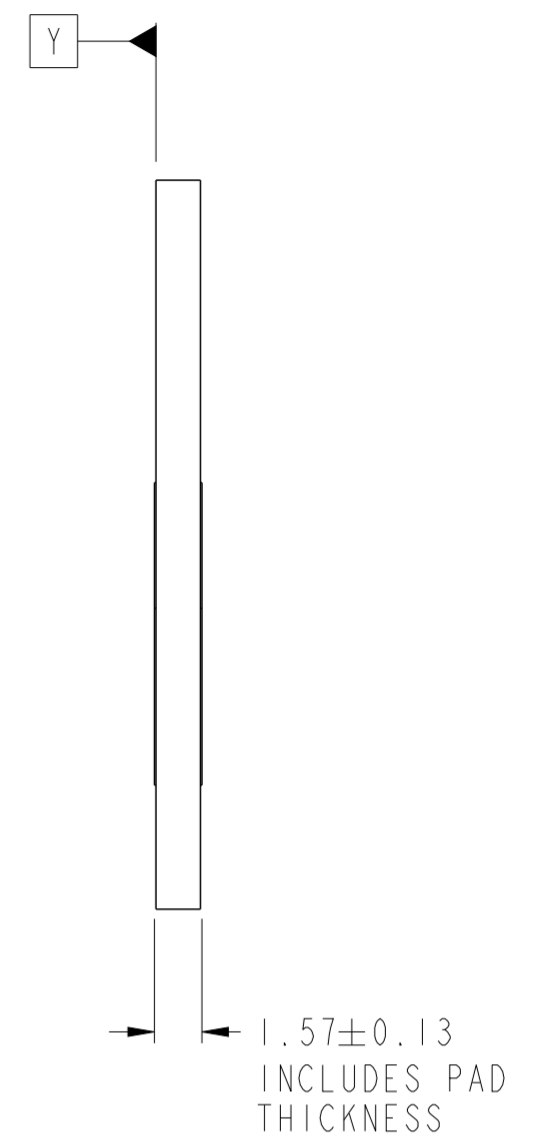
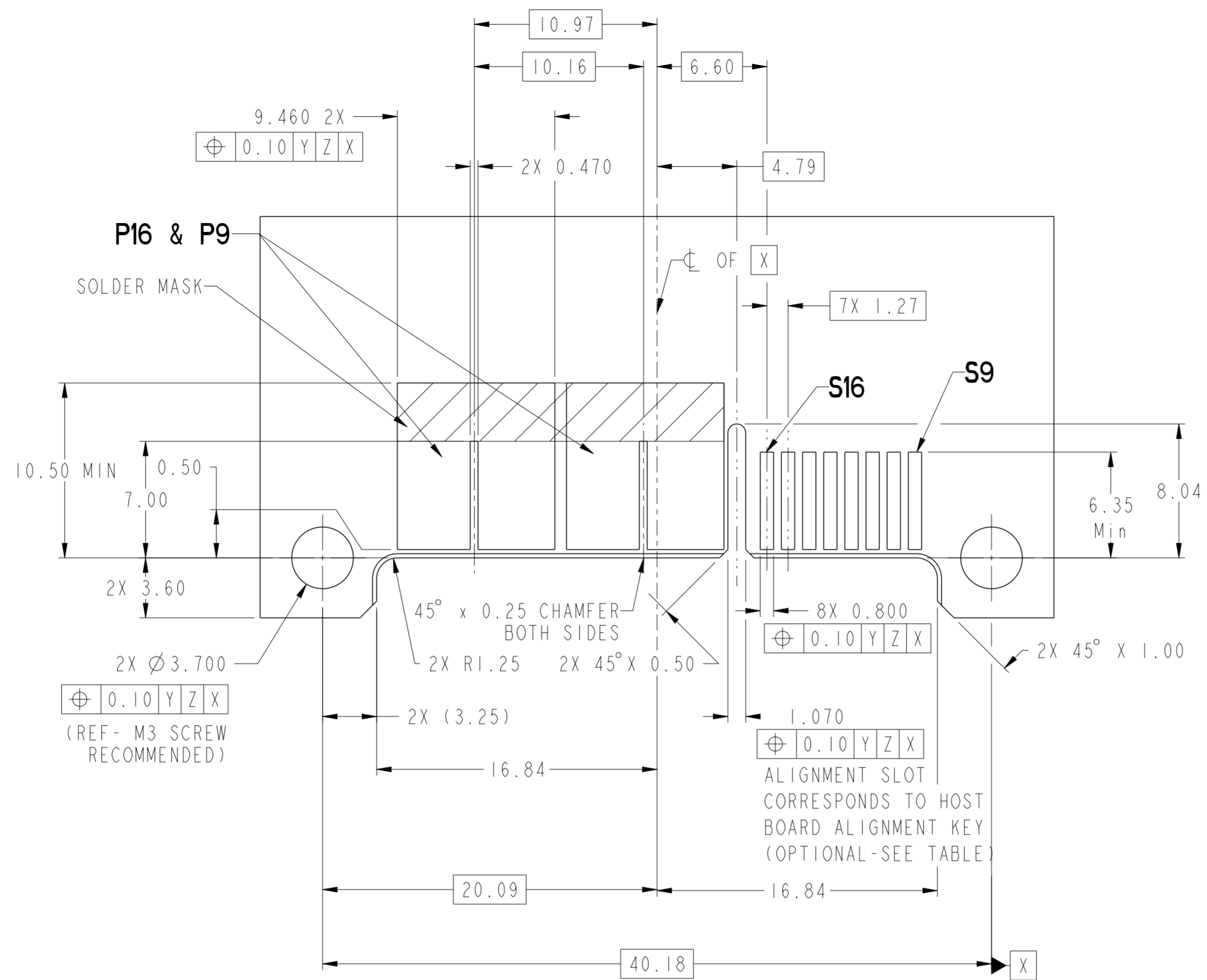


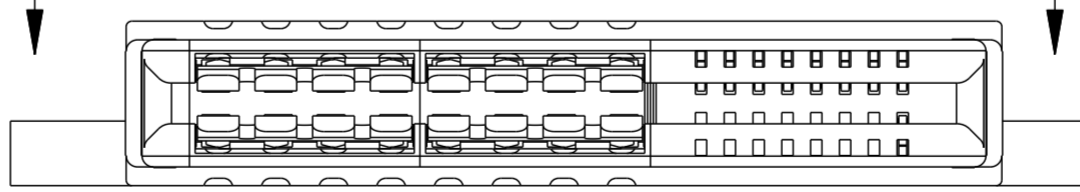
spec ref	-	dr	Wei-Long Zhang	2012/05/11	projection	MM	size	A2	scale	3:1
tolerance std	ASME Y14.5	eng	Sunny2 Liu	2016/05/18		CARD EDGE	ecn no	ELX-DG-24036-1		
TOLERANCES UNLESS OTHERWISE SPECIFIED		chr	Terris Liu	2016/05/20			rel level	Released		
surface	linear	appr	Pei-Ming Zheng	2016/05/24			product family	CARD EDGE		
	angular				Amphenol FCI	title	RECEPTACLE (16P-16S)			
							cat. no.	Product - Customer Drw		
								rel level	Released	
								rev	B	
								sheet 1 of 4	Printed: May 24, 2016	

Amphenol FCI

© 2016 AFCI



**RECOMMENDED PCB LAYOUT
AS VIEWED**



spec ref	-	dr	Wei-Long Zhang	2012/05/11	projection	MM	size	A2	scale	3:1	
tolerance std	ASME Y14.5	eng	Sunny2 Liu	2016/05/18			ecn no	ELX-DG-24036-1			
TOLERANCES UNLESS OTHERWISE SPECIFIED		chr	Terris Liu	2016/05/20			rel level	Released			
surface	ASME Y14.5	appr	Pai-Ming Zheng	2016/05/24			product family	CARD EDGE			
linear	0.X ±0.3 0.XX ±0.1 0.XXX ±0.05	Amphenol FCI		title	RECEPTACLE (16P-16S)			dwg no	10121046		
angular	0° ±2°	HPCE - (STRADDLE MOUNT)		cat. no.	-			Product - Customer Drw	sheet 2 of 4		

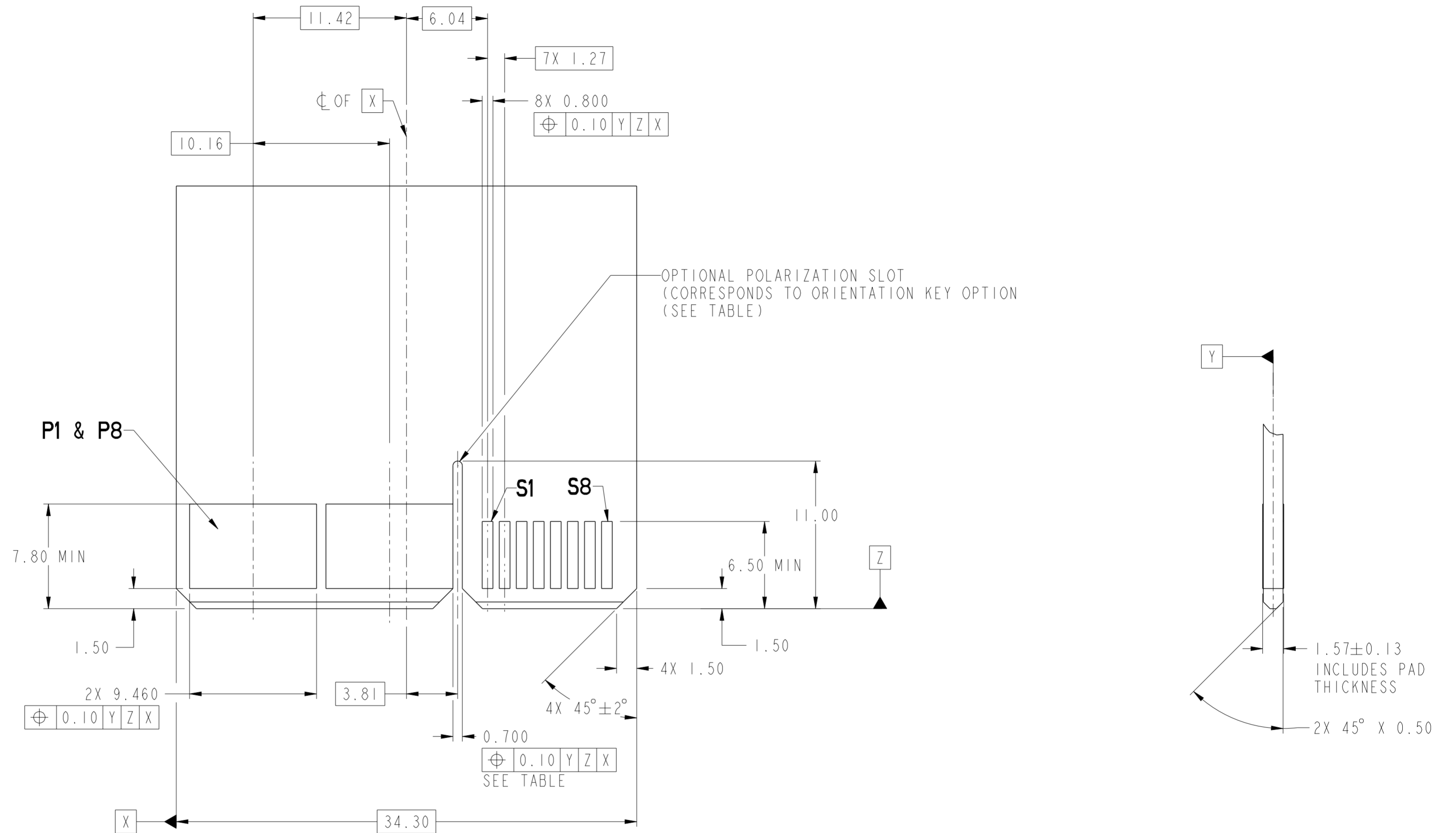
PDS: Rev :B

STATUS:Released

Printed: May 24, 2016

Amphenol FCI

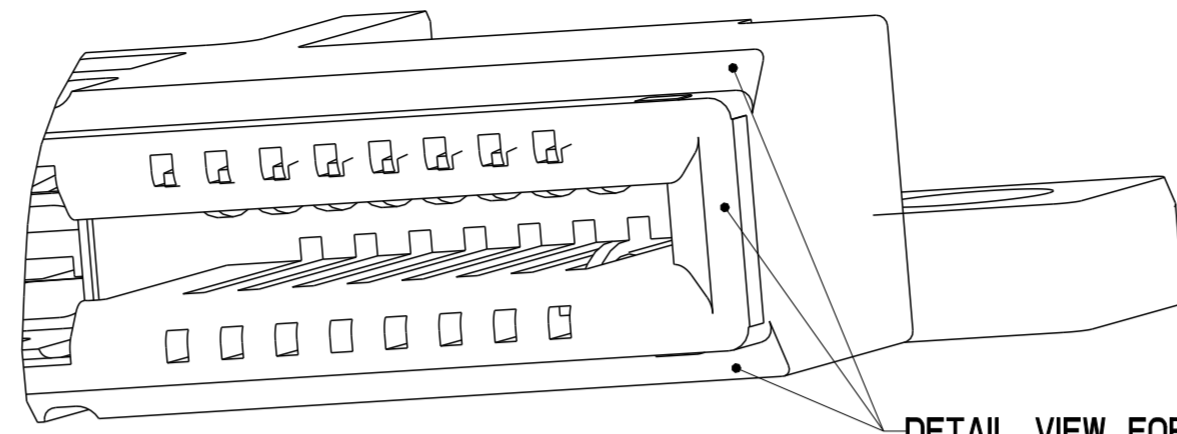
© 2016 AFCI



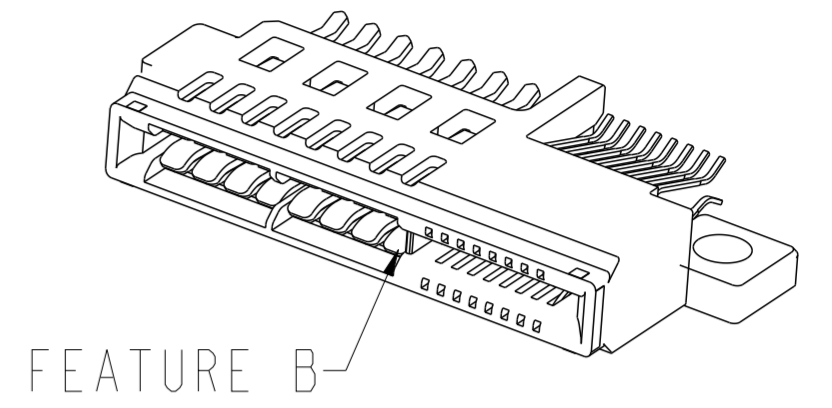
RECOMMENDED MATING BOARD FOOTPRINT

spec ref	-	dr	Wei-Long Zhang	2012/05/11	projection	MM	size	A2	scale	1:1	
tolerance std	ASME Y14.5	eng	Sunny2 Liu	2016/05/18			ecn no	ELX-DG-24036-1			
TOLERANCES UNLESS OTHERWISE SPECIFIED		chr	Terris Liu	2016/05/20			rel level	Released			
surface	ASME Y14.5	appr	Pai-Ming Zheng	2016/05/24			product family	-			
linear	0.X ±0.3 0.XX ±0.1 0.XXX ±0.05			RECEPTACLE (16P-16S) HPCE - (STRADDLE MOUNT)		dwg no 10121046	rev B	-			
angular	0° ±2°	-		cat. no.	-		Product - Customer Drw		sheet 3 of 4		

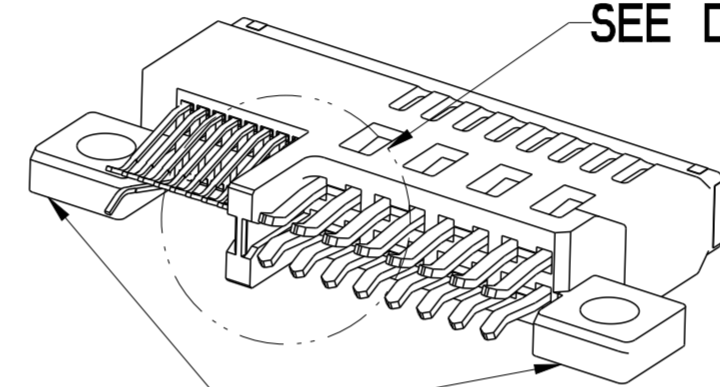
PART NUMBER	FEATURE C HOST BOARD ALIGNMENT KEY (SEE NOTE 8)	FEATURE A MOUNTING EARS	FEATURE B FRONT POLARIZATION KEY
10121046-001LF	YES	YES	NO
10121046-002LF		YES	YES
10121046-003LF		NO	NO
10121046-004LF		NO	YES
10121046-005LF	NO	YES	NO
10121046-006LF		YES	YES
10121046-007LF		NO	NO
10121046-008LF		NO	YES



DETAIL VIEW FOR
AROUND ENHANCED WALL

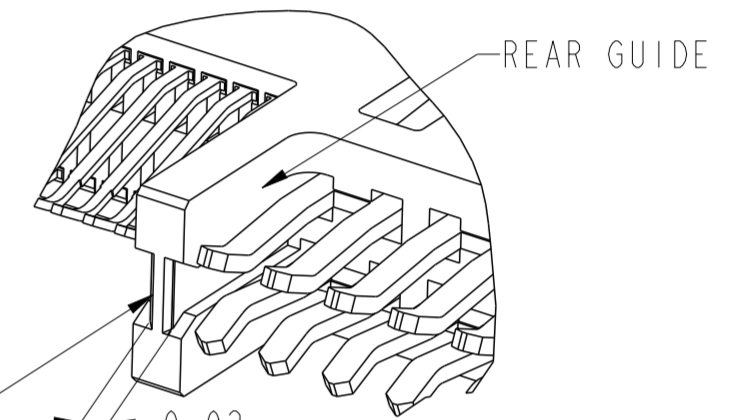


FEATURE B



SEE DETAIL A

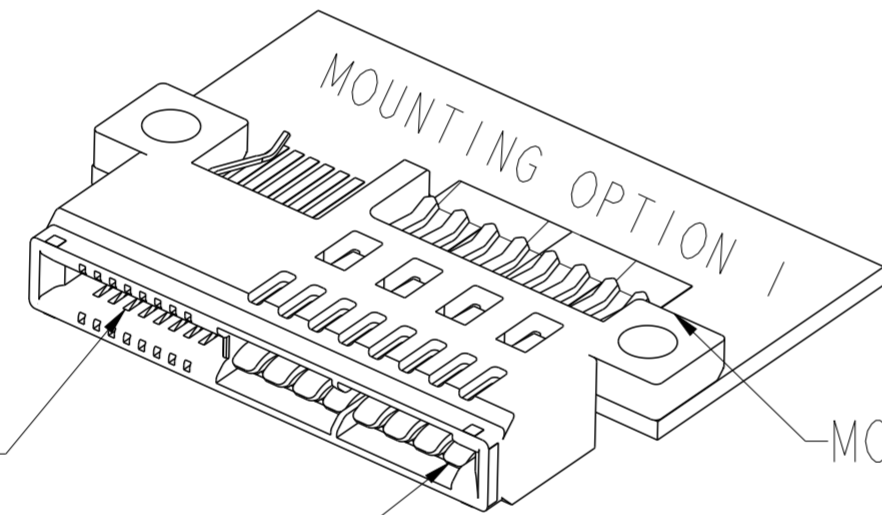
FEATURE A



REAR GUIDE

FEATURE C
0.92
ALIGNMENT KEY

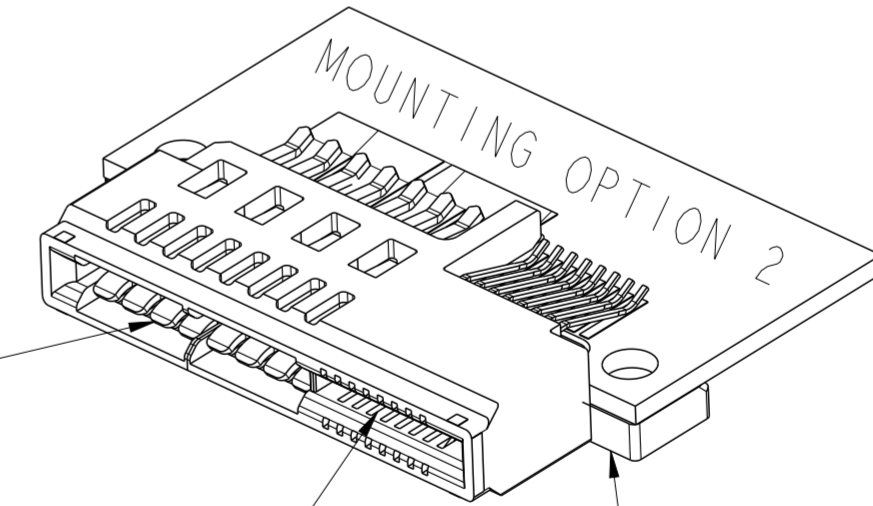
DETAIL A
SCALE 4:1



16 SIGNAL PINS

16 POWER PINS

MOUNTING EARS ARE UP



16 POWER PINS

16 SIGNAL PINS

MOUNTING EARS ARE DOWN

NOTES:

- CONNECTOR MATERIALS:
HOUSING: HIGH TEMPERATURE THERMAL PLASTIC, BLACK
UL 94V-0 COMPLIANT
CONTACTS: HIGH PERFORMANCE COPPER ALLOY.
- CONTACT FINISH REF. GS-12-604 SECTION 5.2.
- PRODUCT SPECIFICATION: GS-12-604.
- APPLICATION SPECIFICATION: GS-20-128.
- PRODUCT MARKING ON HOUSING IN AREA SHOWN MEETS AFCI SPECIFICATION: GS-24-007.
- PACKAGING MEETS FCI SPECIFICATION GS-14-937.
- HOUSING COMPONENT WILL WITHSTAND EXPOSURE TO 260°C PEAK TEMPERATURE FOR 60 SECONDS IN A CONVECTION, INFRA-RED, OR VAPOR PHASE REFLOW OVEN.
- HOST BOARD ALIGNMENT KEY IS RECOMMENDED TO ENSURE PROPER ALIGNMENT OF SOLDER TAILS WITH HOST BOARD PADS.
- A SYMBOL Δ WILL BE NEXT TO ANY DIMENSION, VIEW, OR NOTE WHICH HAS BEEN MODIFIED WITH THE CURRENT DRAWING REVISION.

spec ref	-	dr	Wei-Long Zhang	2012/05/11	projection	MM	size	A2	scale	4:1
tolerance std	ASME Y14.5	eng	Sunny2 Liu	2016/05/18		MM	ecn no	ELX-DG-24036-1	rel level	Released
TOLERANCES UNLESS OTHERWISE SPECIFIED		chr	Terris Liu	2016/05/20						
surface	linear	0.X	±0.3		RECEPTACLE (16P-16S) HPCE - (STRADDLE MOUNT)	cat. no.	Product - Customer Drw	sheet 4 of 4	rev B	
	0.XX	±0.1								
	0.XXX	±0.05								
ASME Y14.5	angular	0°	±2°							