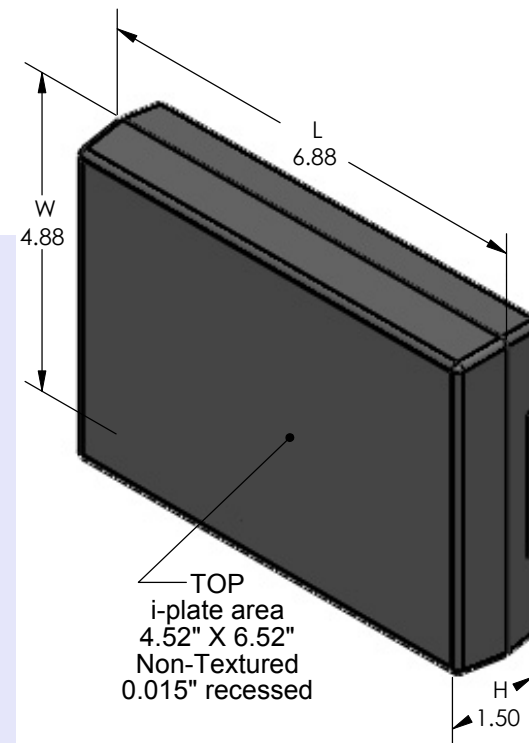
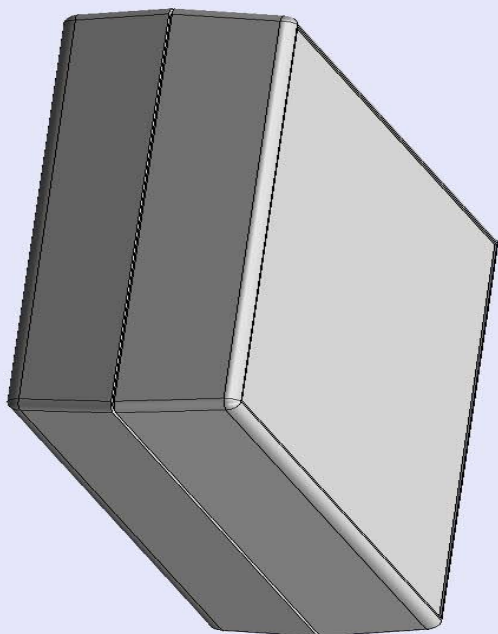


SERPAC 271i (3D exploded)

Electronic Enclosures

- Click on image to show toolbar. Use ▶|| to Play/Pause Animation.
- Left click and drag on image to move 3D model.



| PART NO. | DESCRIPTION (Included) | ACCESSORIES (Optional) | |
|----------|--------------------------|------------------------|-------------------------------|
| 7-1i | TOP | PART NO. | DESCRIPTION |
| 27 | BOTTOM | 379 | Prototype grid board (bottom) |
| 1025 | Battery Cover | 479 | Prototype clad board (bottom) |
| 6005 | #4X3/8" Self tapping (6) | 50 | Non-skid feet |

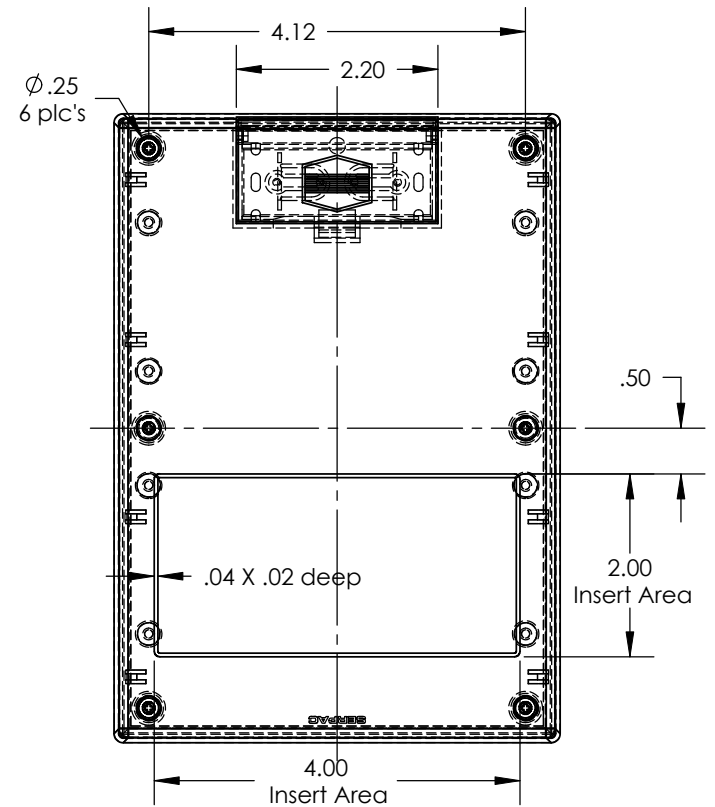
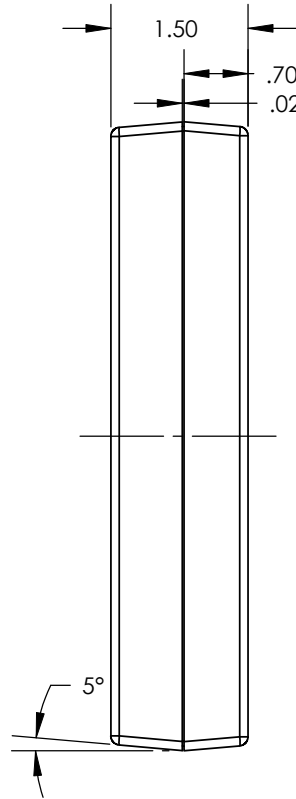
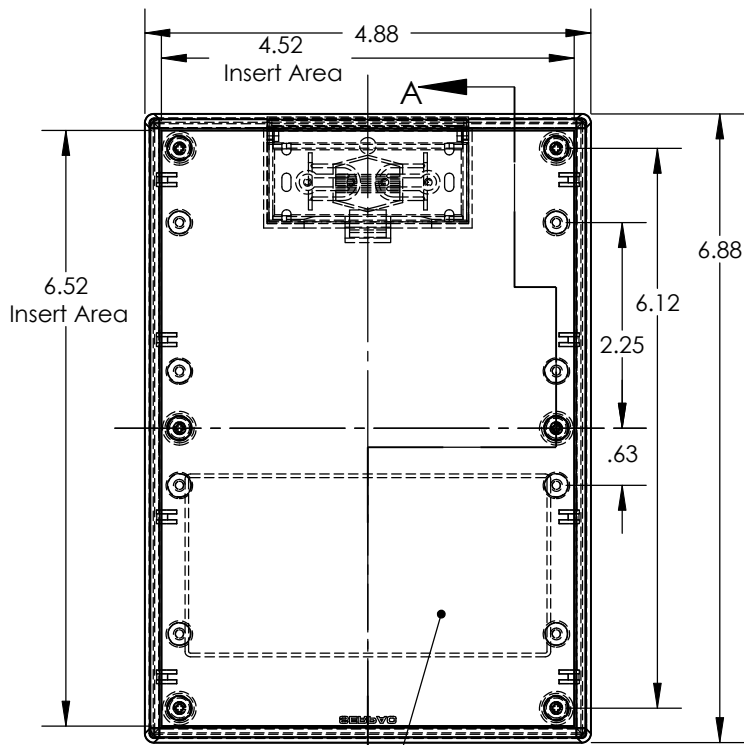
- a) Zoom in & out with center wheel.
- b) Pause at any moment to view and or print views.
- c) Change the views to ortho and section views if needed from the Views pull down menu.
- d) Explore options included in the tool bar like: Views, Transparency of model, Lighting type, etc.

Notes: (Enclosure weight 0.41 lb / 187 gm)
 1) Enclosure meets or exceeds IP40 and NEMA 1
 2) Circuit Board drawings can be download at:
<http://www.serpac.com/Accessories/CircuitBoard/drawings/379-479-cbg.pdf>
 3) All components are RoHS Compliant.

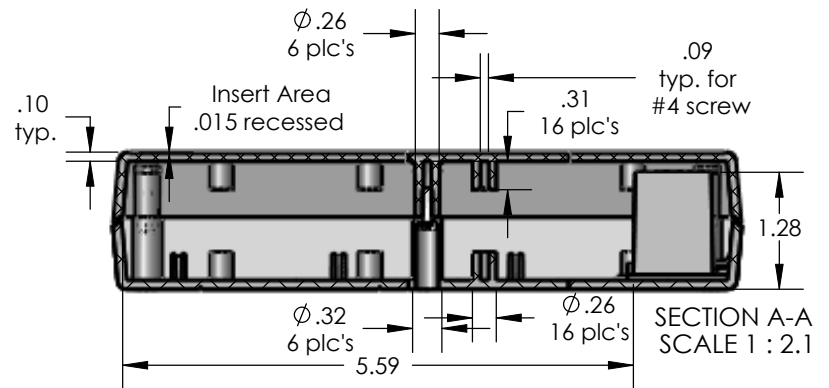
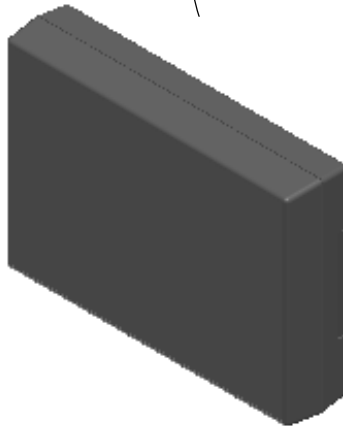
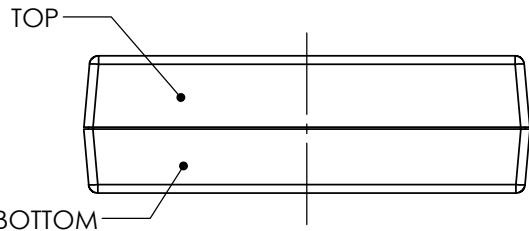
ALL DIMENSIONS ARE ±.010" 4/13/10 (1 of 2)
 619 Commercial Ave. Covina, CA 91723
 Ph. (626) 331-0517 Fx. (626) 331-8584 serpac.com

SERPAC 271i (user print)

Electronic Enclosures



Insert Area
Non-Textured
.015" recessed



Notes: (Enclosure weight 0.41 lb / 187 gm)

- 1) Enclosure meets or exceeds IP40 and NEMA 1
- 2) Circuit Board drawings can be download at:

Top:
http://www.serpac.com/Accessories/CircuitBoard/drawings/X73_CB.pdf

Bottom:
<http://www.serpac.com/Accessories/CircuitBoard/drawings/379-479-cbg.pdf>

- 3) All components are RoHS Compliant.

| PART NO. | DESCRIPTION (Included) | ACCESSORIES (Optional) | |
|----------|--------------------------|------------------------|-------------------------------|
| 7-1i | TOP | PART NO. | DESCRIPTION |
| 27 | BOTTOM | 379 | Prototype grid board (bottom) |
| 1025 | Battery Cover | 479 | Prototype clad board (bottom) |
| 6005 | #4X3/8" self tapping (4) | 50 | Non-skid feet |