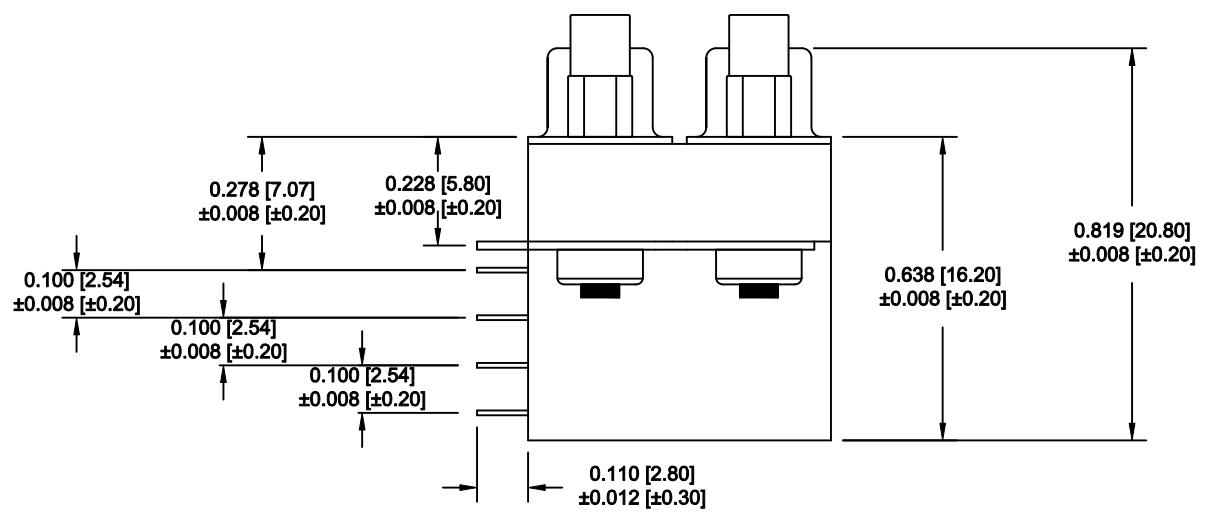
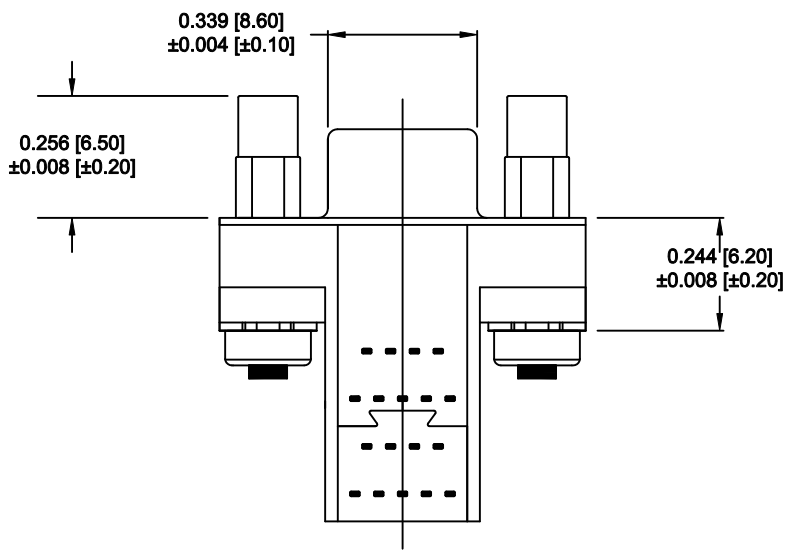
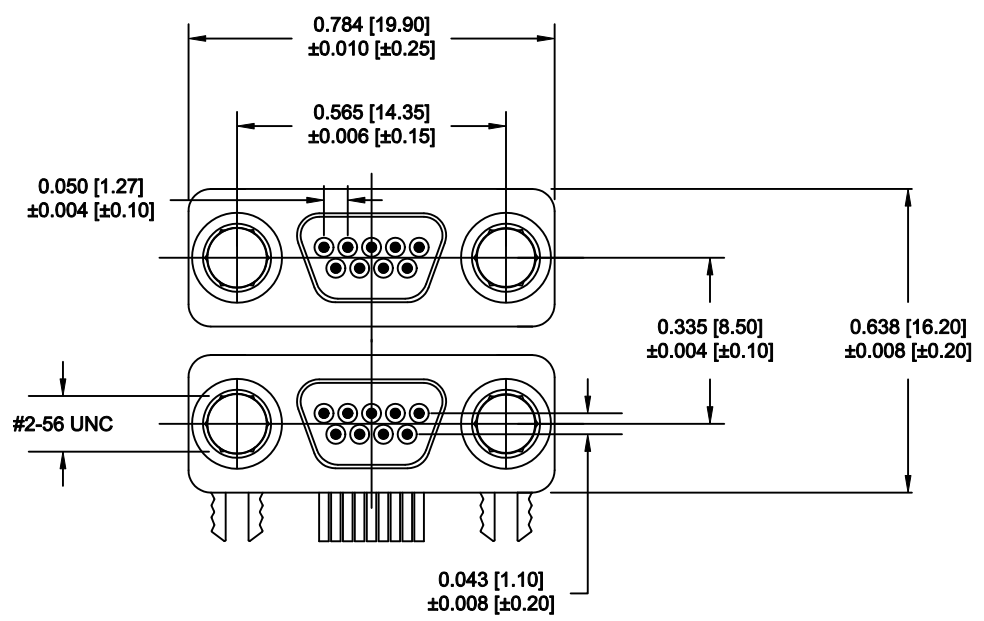


DESCRIPTION: MICRO D-SUB - MALE - RIGHT ANGLE - DUAL PORT



ELECTRICAL

- CONTACT CURRENT RATING: 1 AMP
- DIELECTRIC WITHSTANDING VOLTAGE: 500 VAC
- INSULATION RESISTANCE: 1000 MOhms MIN.
- CONTACT RESISTANCE: 25 MILLI Ohms MAX.
- OPERATING TEMPERATURE: -55°C TO +85°C

MATERIALS

- CONTACTS: COPPER ALLOY
- INSULATOR: THERMOPLASTIC 94V-0
- SHELL: COLD ROLLER STEEL

FINISHES

- CONTACT: 15 μ" MIN. GOLD ON MATING END
TIN ON TERMINATION END
ALL UNDERPLATING NICKEL
- SHELL: BRIGHT TIN OVER COPPER

HARDWARE

- 2-56 THREADED STANDOFF
- 2.5 IN-LBS TORQUE MAX.

DO NOT SCALE FROM DRAWING



THESE DRAWINGS AND SPECIFICATIONS ARE THE PROPERTY OF NorComp AND SHALL NOT BE REPRODUCED, COPIED OR USED AS THE BASIS FOR THE MANUFACTURE OF SALE OF APPARATUS WITHOUT WRITTEN PERMISSION.

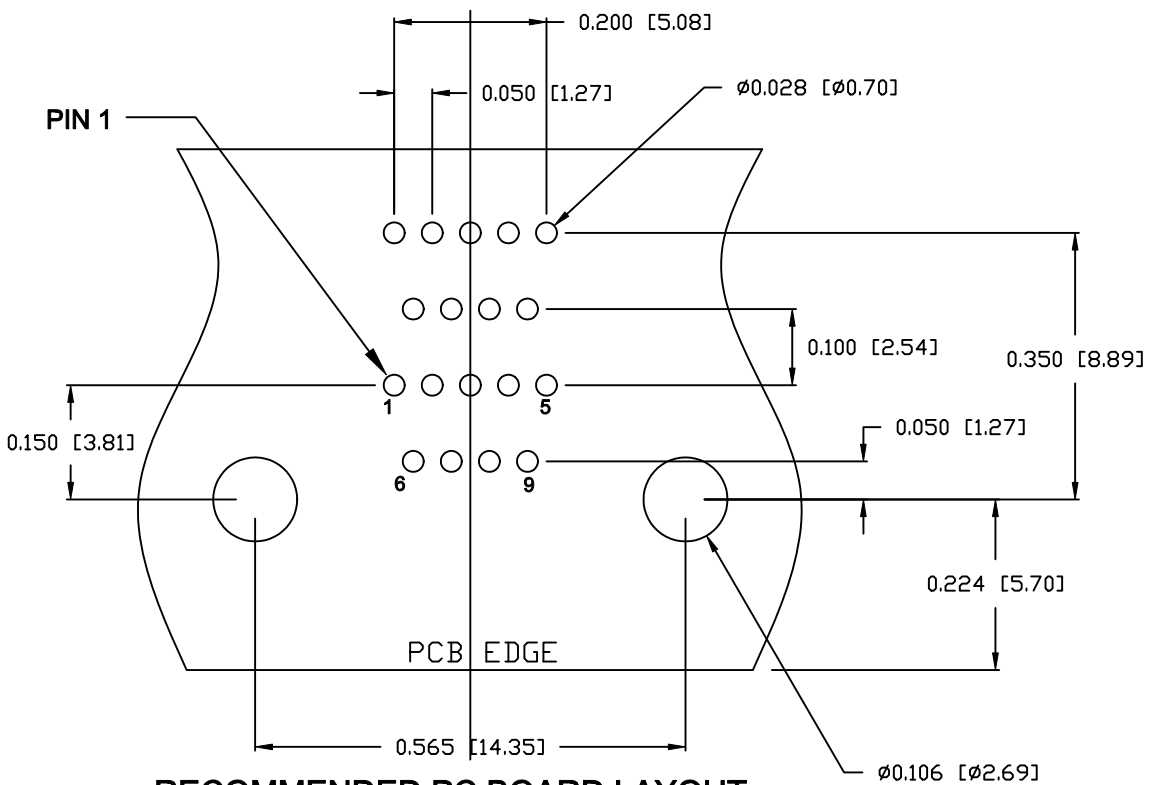
DRAWN: M. SIGMON	DATE: 08-25-11
CHECKED:	DATE:

NorComp

SCALE: 2.5 : 1	SHEET 1	OF 2	REV 1
-------------------	------------	---------	----------

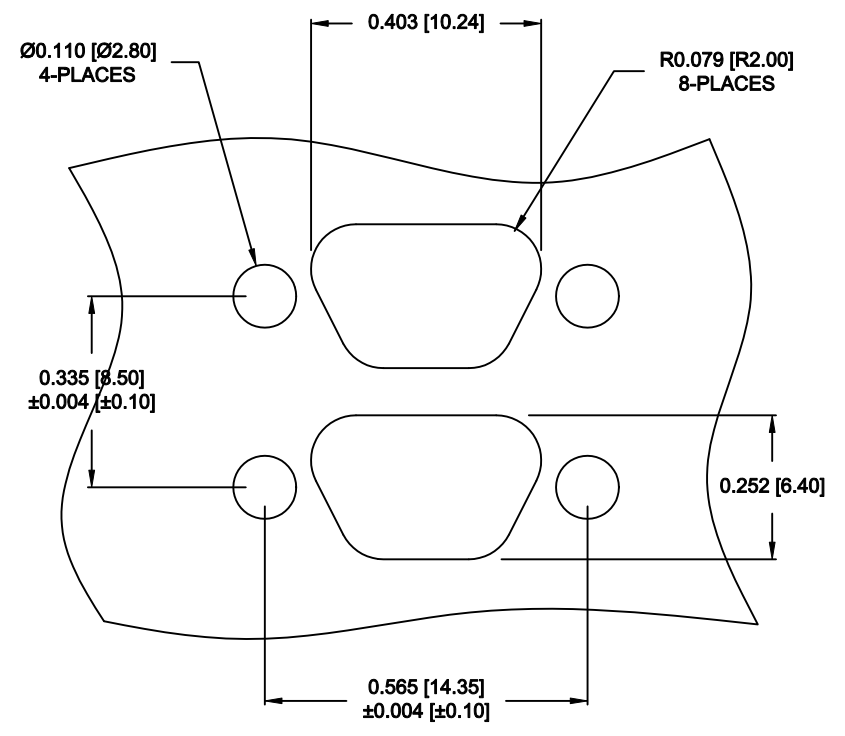
DWG NO. **382-009-112L565**

RoHS COMPLIANT



**RECOMMENDED PC BOARD LAYOUT
(18 POSITION ONLY) TOLERANCE ±0.002 [±0.05]**

PANEL CUTOUT



**PANEL CUTOUT
TOLERANCE ±0.002 [±0.05]**

DO NOT SCALE FROM DRAWING



THESE DRAWINGS AND SPECIFICATIONS ARE THE PROPERTY OF NorComp AND SHALL NOT BE REPRODUCED, COPIED OR USED AS THE BASIS FOR THE MANUFACTURE OF SALE OF APPARATUS WITHOUT WRITTEN PERMISSION.

DRAWN: M. SIGMON		DATE: 08-25-11	
CHECKED:		DATE:	

NorComp

SCALE: 4 : 1	SHEET 2	OF 2	REV 1
-----------------	------------	---------	----------

DWG NO. **382-009-112L565**

RoHS COMPLIANT