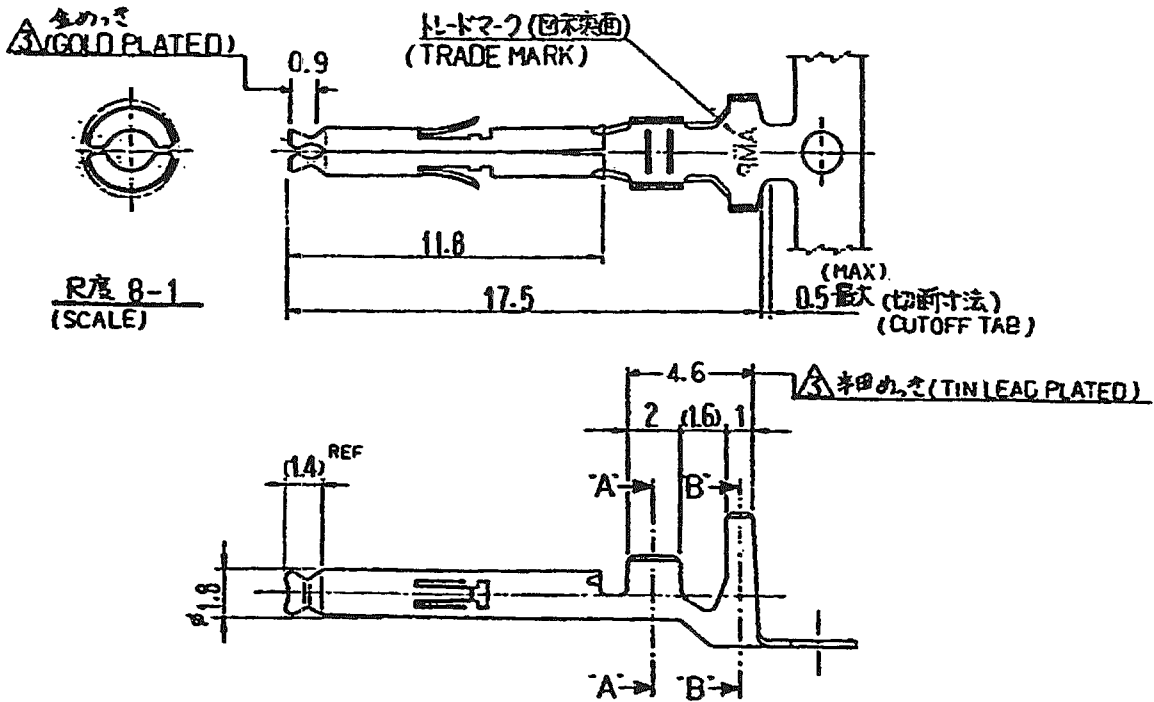


LOC J	DIST —	REVISIONS 変更			DATE	DWN	APVD
		P	LTR	DESCRIPTION			
		A		RELEASED	26JAN2006	Y.Y	N.Y



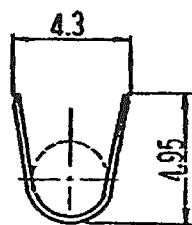
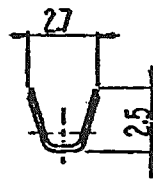
注: 1. 適用規格

製品規格 108-5151, 108-5138.
 取付適用規格 114-5050
 取扱説明書 IS-105J

- △ 2芯着道用電線
AWG#20 (VSF被覆外形φ2.4)×2
- △ ニュールめっき下地に金めっき
及びバレル部 錫めっき

NOTES: 1. PRODUCT SPECIFICATION 108-5151, 108-5138
 APPLICATION SPECIFICATION 114-5050
 INSTRUCTION SHEET IS-105J

- △ APPLICABLE WIRE FOR TWO-WIRE CRIMP
AWG #20 (VSF INSULATION DIAMETER φ2.4) × 2
- △ GOLD PLATED
TIN PLATED ON BARREL AREA OVER NER
NICKEL PLATED.



真鍮にメッキ (板厚0.25) GOLD PLATED BRASS (0.25t)	5171637-3
バラ端子 (LOOSE PIECE)	仕上 (FINISH MATERIAL) 型番 (P/N)

DWN Y.YAMADA	26JAN2006	MATERIAL 材料	SEE TABLE	WIRE INS RANGE 適用電線	0.5~1.3mm ² (#20-#16) △
CHK N.YAMASAKI	26JAN2006	tyco Tyco Electronics AMP K.K. Electronics Kawasaki, Japan			
APVD N.YAMASAKI	26JAN2006				
PRODUCT SPEC 製品規格	SEE NOTE 1	NAME 名称	SOCKET CONTACT (MINI UNIVERSAL M-N-L)		
APPLICATION SPEC 取付適用規格	SEE NOTE 1	SIZE	CAGE CODE	DRAWING NO 番号	RESTRICTED TO
WEIGHT	—	A4	00779	5171637	—
CUSTOMER DRAWING		SCALE 尺度	4:1	SHEET 1	OF 1
				REV	A

THIS DRAWING IS UNPUBLISHED.

ALL RIGHTS RESERVED.

COPYRIGHT © BY TYCO ELECTRONICS CORPORATION.