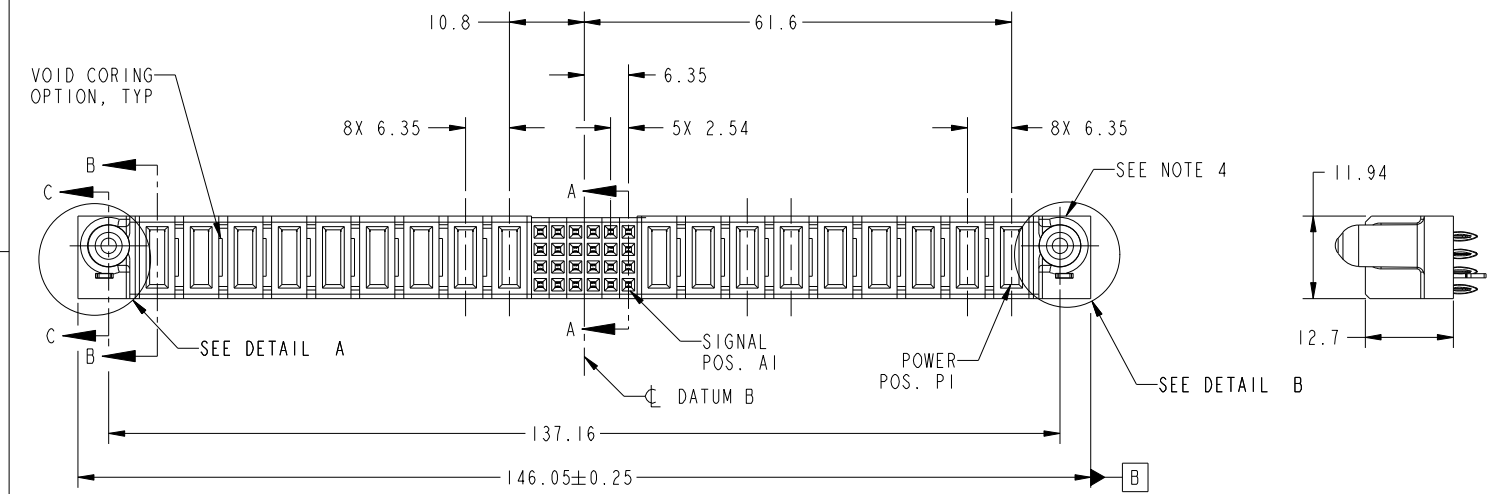


Tous droits strictement reserves. Reproduction ou communication a des tiers interdite sous quelque forme que ce soit sans autorisation écrite du propriétaire. Propriete de c FCI. Droits de reproduction FCI.



All rights strictly reserved. Reproduction or issue to third parties in any form whatever is not permitted without written authority from the proprietor. Property of FCI. Copyright FCI.

PRODUCT NO.	ROWS	POWER									SIGNAL					POWER											
		E2	P18	P17	P16	P15	P14	P13	P12	P11	P10	6	5	4	3	2	1	P9	P8	P7	P6	P5	P4	P3	P2	P1	E1
51750-082-- NOTE: 3	D C B A	HA	PF	PF	PC	PC	PC	PF	PF	PF	PF	F	F	F	F	F	F	PF	PF	PF	PF	PC	PC	PC	PF	PF	HA



CODE	DIM "M" MATING LENGTH	CONTACT TYPE
PF	[2.34]	POWER
F	[N/A]	SIGNAL
HA	[N/A]	HOLD-DOWN
PC	[1.07]	POWER

mat'l code				SEE NOTES		tolerances unless otherwise specified		CUSTOMER		FCI	
ltr	ecn no.	dr	date	linear	0.X ±0.3	projection		COPY		www.fciconnect.com	
A	DG07-0496	JC	12/17/07	angles	0.XX ±0.13	MIM		title		9P + 24S + 9P	
					0.XXX ±0.051	scale		product family		PwrBlade	
				dr	0° ±2°	1:1		size		code	
				enr				dwg no		213	
				chr				A		51750-082	
				appd				sheet		1 of 4	
sheet index	revision sheet	A	A	A	A			cage code		22526	
1	2	3	4							4	

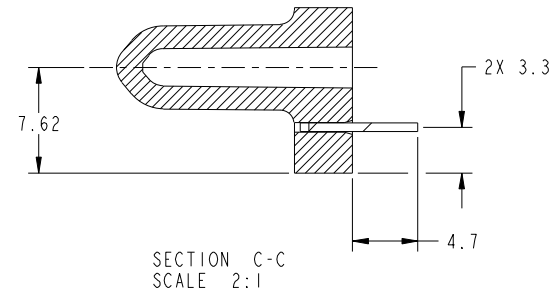
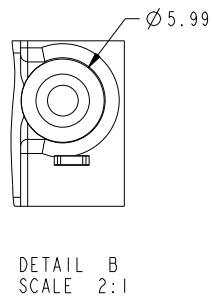
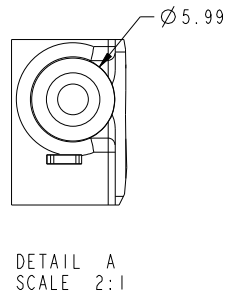
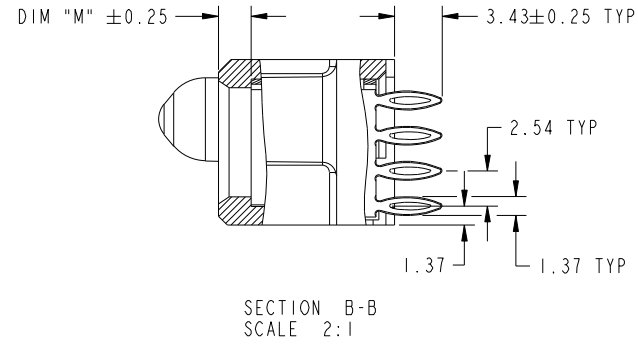
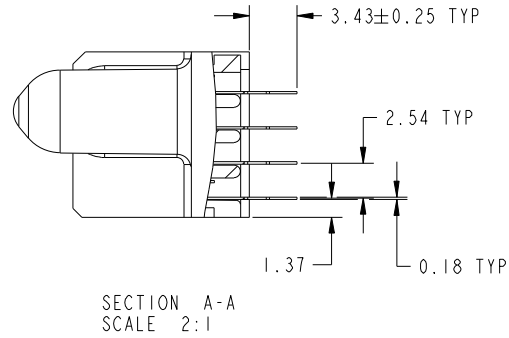
1 | 2 Pro/E 3 | 4 cage code 22526

Tous droits strictement reserves. Reproduction ou communication a des tiers interdite sous quelque forme que ce soit sans autorisation écrite du propriétaire. Propriete de c FCI. Droits de reproduction FCI.



All rights strictly reserved. Reproduction or issue to third parties in any form whatever is not permitted without written authority from the proprietor. Property of FCI. Copyright FCI.

PRODUCT NUMBER  
51750-082\_\_  
NOTE: 3



mat'l code				tolerances unless otherwise specified		CUSTOMER		FCI	
ltr	ecn no.	dr	date	linear	0.X ± 0.3	COPY		www.fciconnect.com	
A					0.XX ± 0.13	projection		title	
				angles	0.XXX ± 0.051			9P + 24S + 9P VERTICAL PRESS-FIT RECEIPT	
				dr	0° ± 2°			product family PwrBlade code	
				enr	Jerome Chen 11/28/07	scale		size	
				chr	Jerome Chen 11/28/07	1:1		dwg no	
				appd	Gary Hsieh 11/28/07			A 51750-082	
					Joseph Hsia 11/28/07			sheet	
sheet index	revision sheet							2 of 4	

cage code 22526

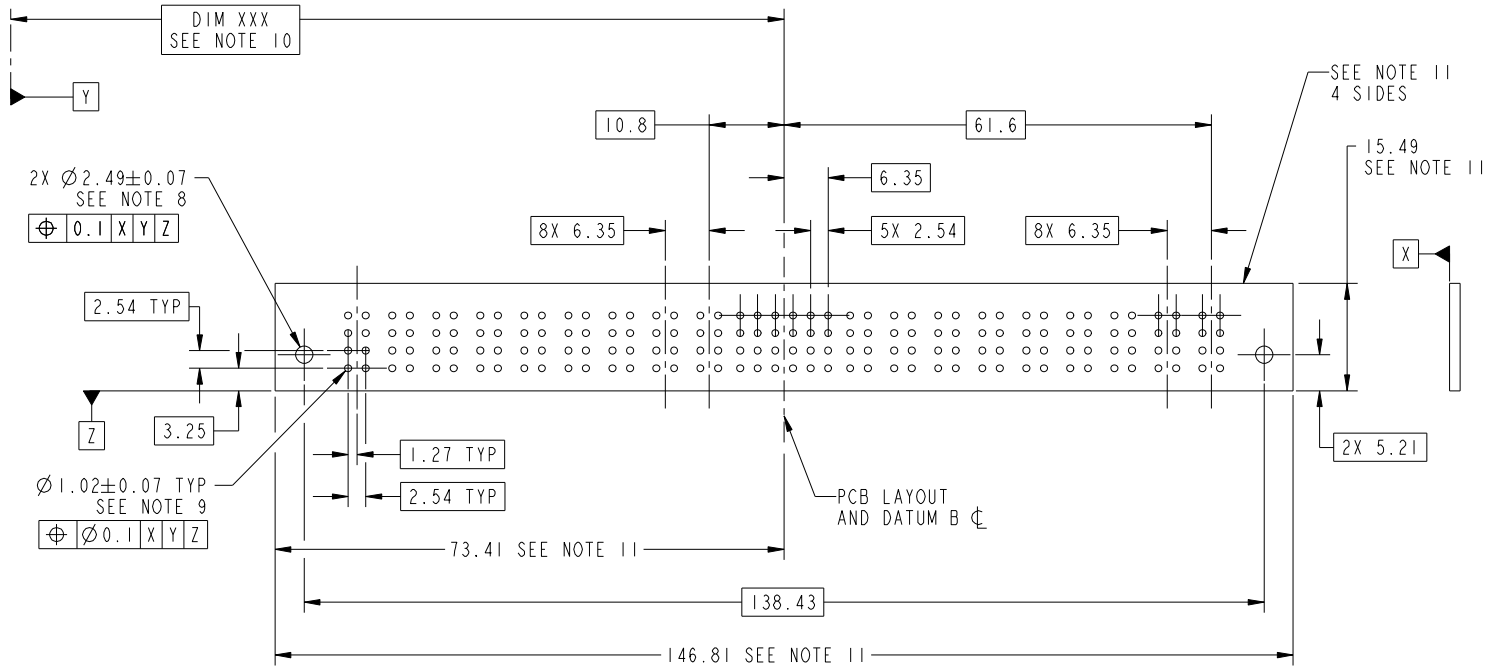
Pro/E

Tous droits strictement reserves. Reproduction ou communication a des tiers interdite sous quelque forme que ce soit sans autorisation écrite du propriétaire. Propriete de c FCI. Droits de reproduction FCI.

All rights strictly reserved. Reproduction or issue to third parties in any form whatever is not permitted without written authority from the proprietor. Property of FCI. Copyright FCI.



PRODUCT NUMBER  
51750-082--  
NOTE: 3



RECOMMENDED PCB LAYOUT

mat'l code				tolerances unless otherwise specified		CUSTOMER		FCI	
ltr	ecn no.	dr	date	linear	0.X ± 0.3	COPY		www.fciconnect.com	
A					0.XX ± 0.13	projection		title 9P + 24S + 9P	
				angles	0.XXX ± 0.051			VERTICAL PRESS-FIT RECEPT	
				dr	Jerome Chen 11/28/07	MIM		product family PwrBlade code 213	
				enr	Jerome Chen 11/28/07			size dwg no 51750-082 sheet 3 of 4	
				chr	Gary Hsieh 11/28/07	scale 1:1			
				appd	Joseph Hsia 11/28/07				
sheet index	revision sheet								

cage code 22526

Pro/E

Tous droits strictement reserves. Reproduction ou communication a des tiers interdite sous quelque forme que ce soit sans autorisation écrite du propriétaire. Propriete de c FCI. Droits de reproduction FCI.



All rights strictly reserved. Reproduction or issue to third parties in any form whatever is not permitted without written authority from the proprietor. Property of FCI. Copyright FCI.

PRODUCT NUMBER  
51750-082--  
NOTE: 3

NOTES:

1. DIMENSIONS AND TOLERANCES ARE IN ACCORDANCE WITH ASME Y14.5M, 1994 UNLESS OTHERWISE SPECIFIED.

CONNECTOR NOTES:

- 2 HOUSING MATERIAL: UL 94 V-0 GLASS FILLED HIGH-TEMP THERMOPLASTIC  
POWER CONTACT MATERIAL: COPPER ALLOY  
SIGNAL PIN MATERIAL: COPPER ALLOY
- 3. PLATING SPEC.  
51750-082, 51750-082LF PLATING SPEC. WAS SHOWN IN THE PRINT OF 10064183.
- 4 MANUFACTURER'S NAME, P/N, AND DATE CODE TO APPEAR ON THIS SURFACE.
- 5. PRODUCT SPECIFICATION GS-12-149.  
APPLICATION SPECIFICATION BUS-20-067.
- 6. PACKAGED IN TRAYS.

PCB NOTES:

- 7. ALL HOLE DIAMETERS ARE FINISHED HOLE SIZE.
- 8 MOUNTING HOLES, WHERE APPLICABLE, ARE UNPLATED.
- 9  $\varnothing 1.151 \pm 0.025$  DRILLED HOLES PLATED WITH  
0.008 MIN SnPb OR Sn OVER 0.03  
TO 0.08 Cu PLATING TO ACHIEVE  
 $\varnothing 1.02 \pm 0.07$  HOLE.
- 10 "DIM XXX" TO BE DETERMINED BY THE CUSTOMER.
- 11 CONNECTOR KEEP-OUT ZONE.

mat'l code				tolerances unless otherwise specified		CUSTOMER		FCI	
ltr	ecn no.	dr	date	linear	0.X ± 0.3	COPY		www.fciconnect.com	
A				linear	0.XX ± 0.13	projection		title	
				angles	0.XXX ± 0.051			9P + 24S + 9P VERTICAL PRESS-FIT RECEPT	
				dr	0° ± 2°			product family PwrBlade code	
				enr	Jerome Chen 11/28/07	scale		size	
				chr	Jerome Chen 11/28/07	1:1		dwg no	
				appd	Gary Hsieh 11/28/07	A		51750-082	
					Joseph Hsia 11/28/07			sheet	
sheet index	revision sheet							4 of 4	

cage code 22526

Pro/E