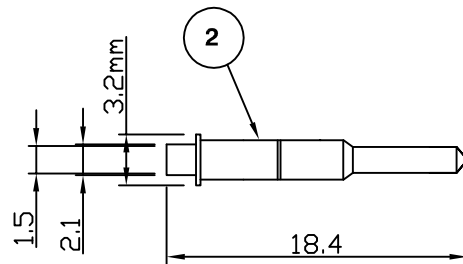
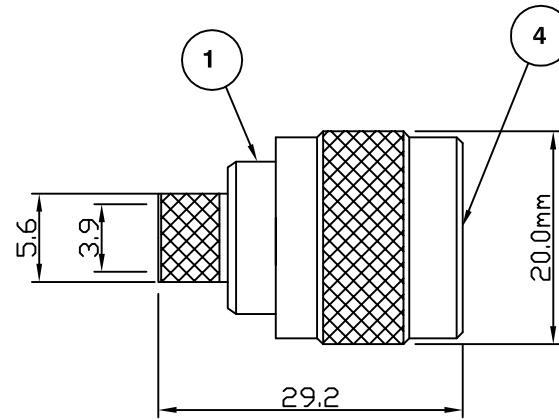
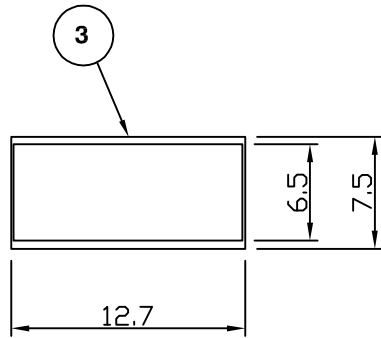


RoHS COMPLIANT



Electrical Characteristics

Nominal Impedance:	50 ohm
Frequency Range:	DC to 1 GHz
Operating Voltage (rms):	500 V maximum at sea level
Dielectric Withstand Voltage (rms):	1500 V maximum at sea level
Contact Resistance:	1.5 milliohms maximum
Insulation Resistance:	5000 megohms minimum

Mechanical Characteristics

Mating Cycles:	500 cycles minimum
Interface Dimensions:	Conform to MIL-C-39012

	PART	DESCRIPTION
1	Body	Brass, nickel plated
2	Pin	Brass, nickel plated
3	Shell	Brass, nickel plated
4	Insulator	Bakerlite

First Issue	BT	1	07 Mar 07
DESCRIPTION OF REVISION	APPVD	ISS	DATE

For stripping and assembly instructions see Drawing Number: VAIN1101



Cinch Connectivity Solutions
 7-13 Russel Way,
 Widford Industrial Estate,
 Chelmsford, Essex,
 CM1 3AA, UK.
 Tel: +44 (0) 1245 359515
 Fax: +44 (0) 1245 358938

SCALE: Not To Scale	DRAWN BY:	B Thomas
DIMENSIONS: mm	CHECKED BY:	J Williams
TOLERANCES: ± 0.2mm unless otherwise stated	APPROVED BY:	A Tusi
	DATE:	07 Mar 07

TITLE:
**N-Type Male Crimp For
LMR240**

PART NUMBER:
VN10-2031-1602
PAGE: 1 of 1