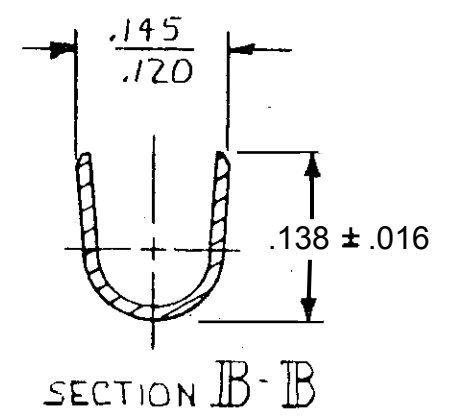
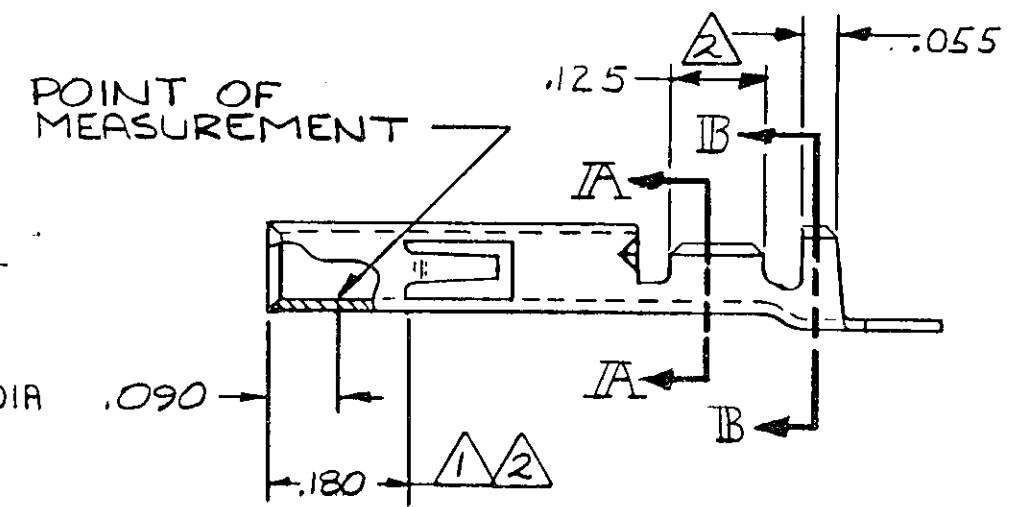
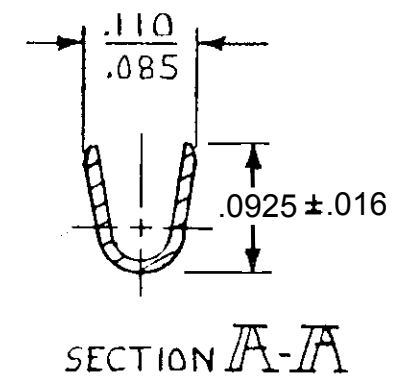
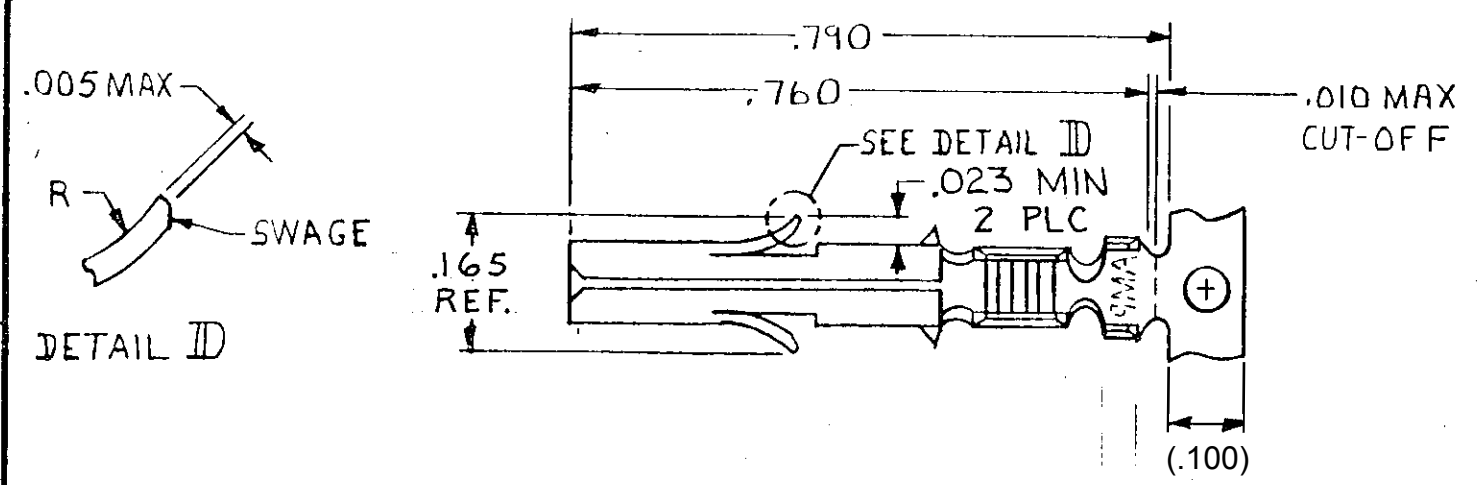


REVISIONS							
P	F	ZONE	LTR	DESCRIPTION	DATE	DWN	APVD
			S	REVISED PER ECR-15-013957	28SEP2015	NK	EW



- ① .000030 THICK GOLD OVER NICKEL ON INSIDE OF RECEPTACLE; REMAINDER OF CONTACT IS NICKEL PLATED.
- ② .000030 THICK GOLD OVER NICKEL ON INSIDE OF RECEPTACLE AND WIRE BARREL; REMAINDER OF CONTACT IS NICKEL PLATED.
- ③ INSULATION RANGE: .040-.100 DIA.

LOOSE PIECE (REF)	FINISH	MATERIAL	PART NO
—	GOLD ①	.012 BRASS	350851-7
640347-2	GOLD ②	.012 BRASS	350851-2
—	PRE-TIN	.012 BRASS	350851-1

UNLESS OTHERWISE SPECIFIED DIMENSIONS ARE IN INCHES. TOLERANCES ON: DECIMALS ±.015 ANGLES ±	CONTRACT NO	TE Connectivity	
	DR <i>M. Feher 4-23-81</i>		
WIPE RANGE 24-18 AWG	CHK <i>J.S. Weide 6/9/81</i>	NAME SOCKET, UNIVERSAL MATE-N-LOK	
INSULATION RANGE ③	APPD <i>R. Polachuk 6-10-81</i>	SIZE B	CODE IDENT NO 00779
	DSGN APPD	DRAWING NO 350851	
	OTHER APPD	SCALE 4-1	SHEET —