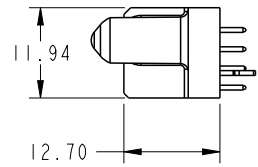
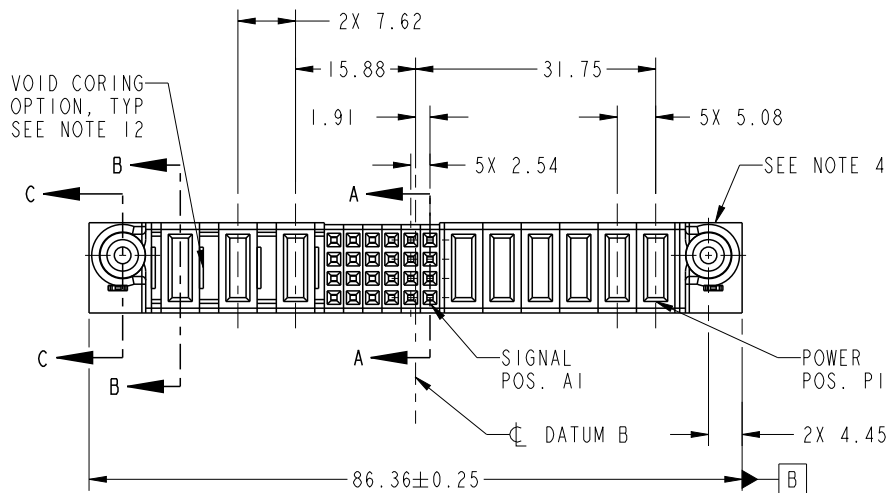


PRODUCT NO.	ROWS	POWER			SIGNAL							POWER					E1					
		E2	P9	P8	P7	6	5	4	3	2	1	P6	P5	P4	P3	P2		P1				
51940-439-- NOTE: 3	D C B A																					



CODE	DIM "M" MATING LENGTH	CONTACT TYPE
E	[N/A]	SIGNAL
PA	[1.07]	POWER
HA	[N/A]	HOLD-DOWN

spec ref	*	dr	Luo Weller	2012/06/07	projection	MM	size	A4	scale	1:1	
tolerance std	TOLERANCES UNLESS OTHERWISE SPECIFIED	eng	Luo Weller	2012/09/12			ecn no	-			
SEE NOTE		chr	-	-							
surface	linear	0.X	±0.5		title	6DCP + 24S + 3ACP	www.fci.com	cat. no.	* Product - Customer Drw	sheet 1 of 4	
✓	0.XX	±0.25	rev								A
	0.XXX	±0.1									
angular	0°	±2°	dwg no	51940-439							

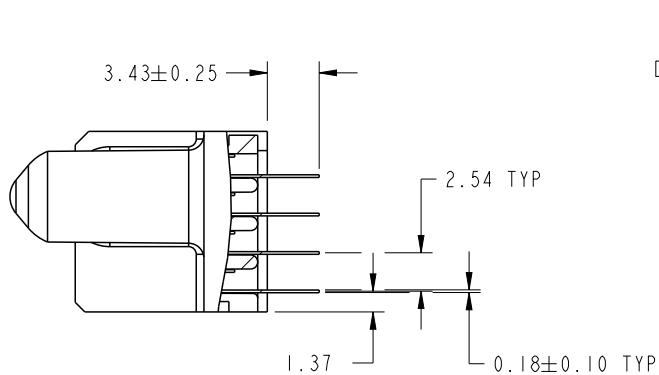


Copyright FCI.

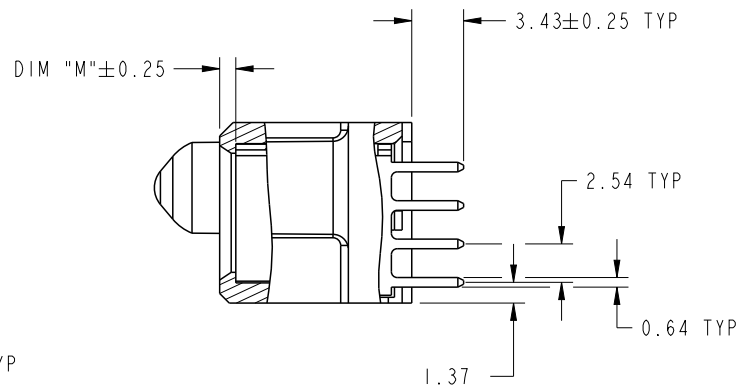
PrdrE File - REV C - 2009-06-09

PRODUCT NUMBER

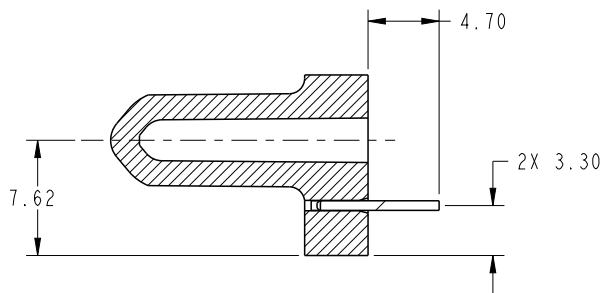
51940-439\_\_  
NOTE: 3



SECTION A-A  
SCALE 2:1



SECTION B-B  
SCALE 2:1

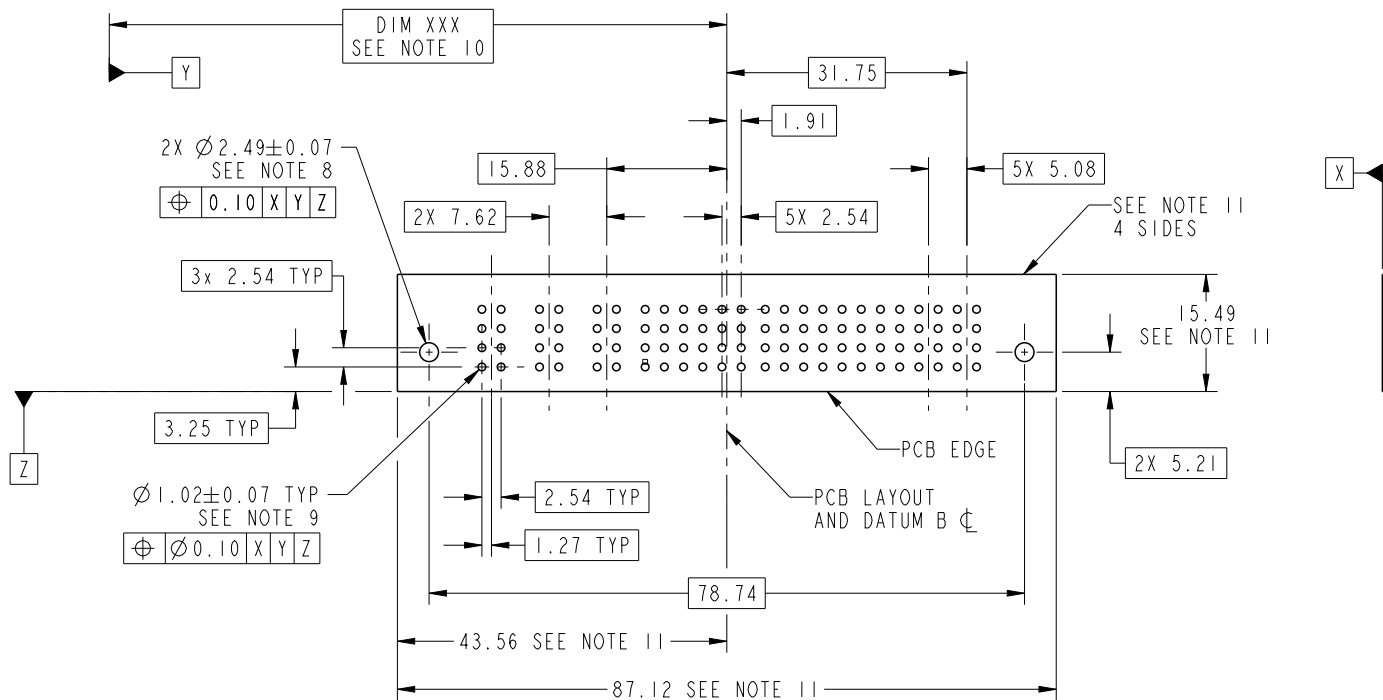


SECTION C-C  
SCALE 2:1

dr	Luo Weller	2012/06/07	projection 	MM 	size	A4	scale	1:1
eng	Luo Weller	2012/09/12			ecn no	-		
chr	-	-			rel level	Released		
appr	Pei-Ming Zheng	2012/09/12	product family	PwrBlade	rev	A		
	title	6DCP + 24S + 3ACP VERTICAL SOLDER RECEIPT		dwg no	51940-439	sheet 2 of 4		
www.fci.com	cat. no.	*	Product - Customer Drw					

PRODUCT NUMBER

51940-439\_\_  
NOTE: 3



RECOMMENDED PCB LAYOUT

dr	Luo Weller	2012/06/07	projection 	MM 	size	A4	scale	1:1	
eng	Luo Weller	2012/09/12			ecn no	-			
chr	-	-			rel level	Released			
appr	Pei-Ming Zheng	2012/09/12	product family	PwrBlade					
	title	6DCP + 24S + 3ACP VERTICAL SOLDER RECEPT			dwg no	51940-439		rev	A
www.fci.com	cat. no.	*	Product - Customer Drw			sheet 3 of 4			

PRODUCT NUMBER

51940-439\_\_  
NOTE: 3

NOTES:

1. DIMENSIONS AND TOLERANCES ARE IN ACCORDANCE WITH ASME Y14.5M, 1994 UNLESS OTHERWISE SPECIFIED.

CONNECTOR NOTES:

- 2 HOUSING MATERIAL: UL 94 V-0 GLASS FILLED HIGH-TEMP THERMOPLASTIC  
POWER CONTACT MATERIAL: COPPER ALLOY  
SIGNAL PIN MATERIAL: COPPER ALLOY
- 3. SEE ITEM 5 & 6 IN PRINT 10064183 FOR PLATING SPEC OF 51940-439 AND 51940-439LF RESPECTIVELY.
- 4 MANUFACTURER'S NAME, DATE CODE AND OPTIONAL P/N TO APPEAR ON THIS SURFACE. THE P/N CAN BE OMITTED IF THERE IS NOT ENOUGH SPACE ON THIS SURFACE.
- 5. PRODUCT SPECIFICATION GS-12-149.  
APPLICATION SPECIFICATION BUS-20-067.
- 6. PACKAGED IN TRAYS.
- PCB NOTES:
- 7. ALL HOLE DIAMETERS ARE FINISHED HOLE SIZE.
- 8 MOUNTING HOLES, WHERE APPLICABLE, ARE UNPLATED.
- 9  $\varnothing 1.151 \pm 0.025$  DRILLED HOLES PLATED WITH  
0.008 MIN SnPb OR Sn OVER 0.03  
TO 0.08 Cu PLATING TO ACHIEVE  
 $\varnothing 1.02 \pm 0.07$  HOLE.
- 10 "DIM XXX" TO BE DETERMINED BY THE CUSTOMER.
- 11 CONNECTOR KEEP-OUT ZONE.
- 12. THE VOID CORING IN BETWEEN POWER MODULES, SIGNAL MODULES AND END MODULES ARE OPTIONAL AND THE SHAPE MAY BE DIFFERENT FOR OPTIMIZE THE MOLDING PROCESS. THE VOID CORING WILL NOT EFFECT TO PRODUCT FUNCTION.

A

B

C

D

A

B

C

D



Copyright FCI.

dr	Luo Weller	2012/06/07	projection 	MM 	size	A4	scale	1:1			
eng	Luo Weller	2012/09/12			ecn no	-					
chr	-	-			product family	PwrBlade	rel level	Released			
appr	Pei-Ming Zheng	2012/09/12			title	6DCP + 24S + 3ACP		dwg no	51940-439	rev	A
www.fci.com		cat. no.	*	Product - Customer Drw			sheet 4 of 4				