

4

3

2

1

D

D

C

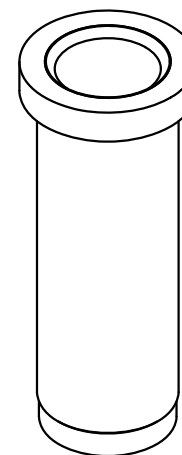
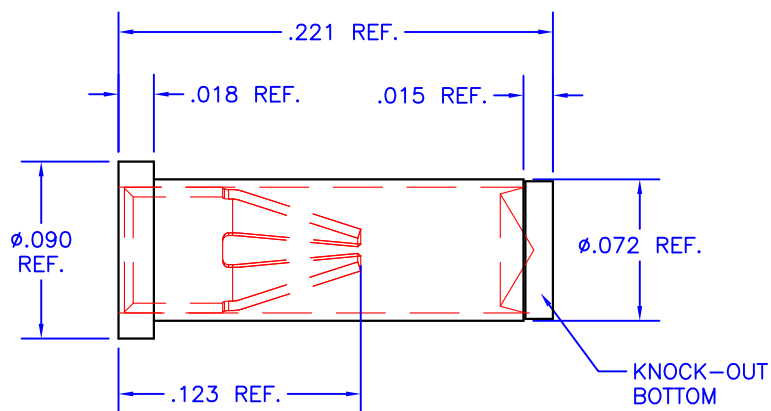
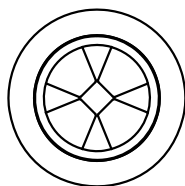
C

B

B

A

A



### NOTES:

1. Unless otherwise noted, dimensions are in inches.
2. Shell: 360 brass, half-hard, with 10  $\mu$ m gold over nickel
3. Contacts: Beryllium copper with 30  $\mu$ m gold over nickel
4. Current rating: 8 amps, for 10°C temperature rise.
5. Solder mount in minimum .075 diameter mounting hole.
6. Mill-Max Part No. 0329-0-15-15-34-27-10-0

TOLERANCES - UNLESS  
OTHERWISE SPECIFIED

.XX =  $\pm 0.01$  [.254]  
.XXX =  $\pm 0.005$  [.127]  
ANG. =  $\pm 5^\circ$



TITLE: **PIN RECEPTACLE**  
FOR .032-.046 DIAMETER PINS

SUBJECT: **MECHANICAL DRAWING**

ENGINEER: **D-M** DRAWN BY: **R.MOR** DCA: **13241** SHL: **1** OF **1**

MODEL: **MS02**  
FILENAME: **MS02** REV: **D** DATE: **03JUN13**

4

3

2

1