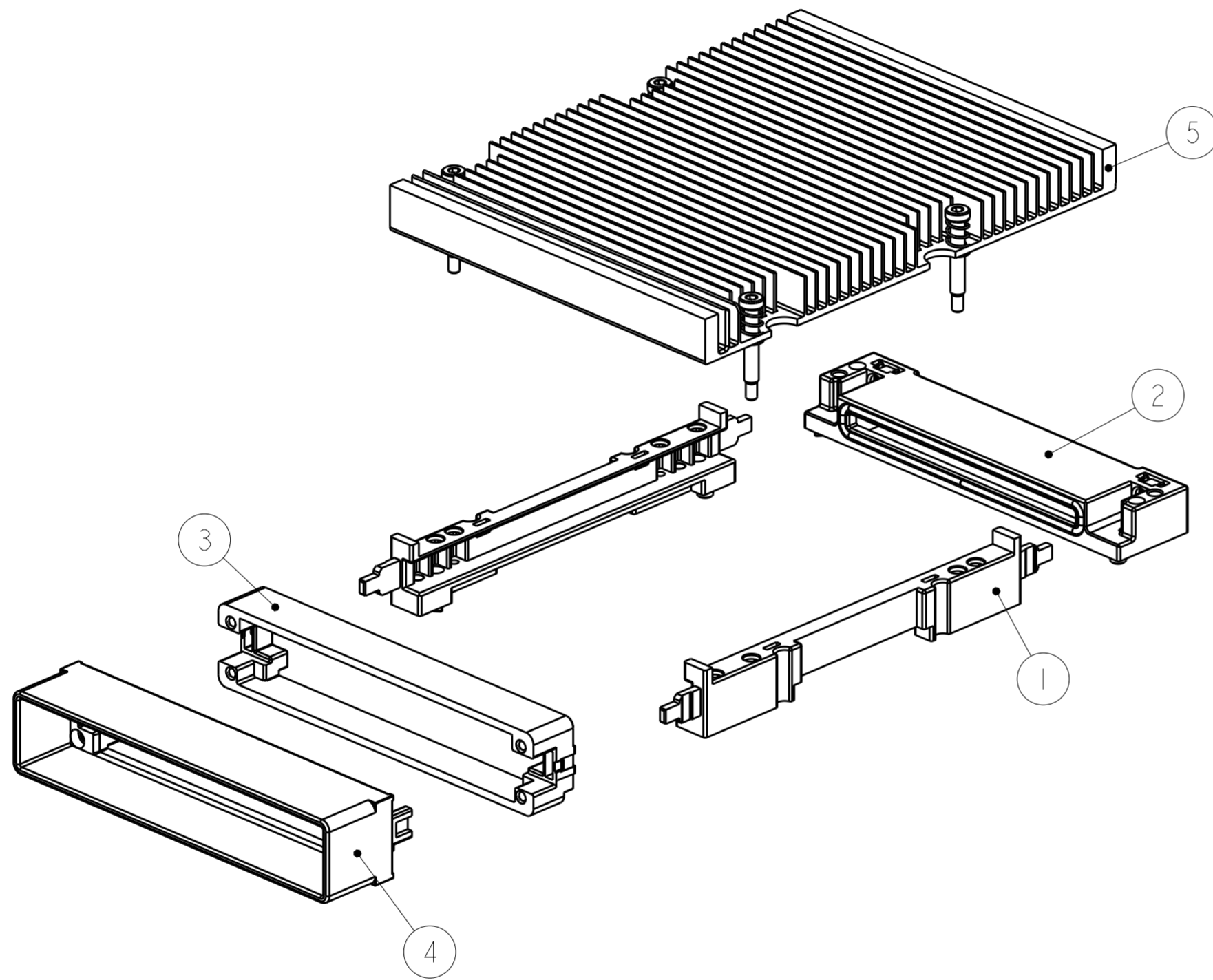



THIS DRAWING IS UNPUBLISHED. RELEASED FOR PUBLICATION 20
 © COPYRIGHT 20 BY - ALL RIGHTS RESERVED.

| LOC | DIST | REVISIONS | | | | | |
|-----|------|-----------|-----|---------------------------|-----------|-----|------|
| GP | 00 | P | LTR | DESCRIPTION | DATE | DWN | APVD |
| | | B | | REVISED PER ECO-12-021786 | 04MAR2013 | CJV | MRS |
| | | C | | REVISED PER ECO-13-012622 | 27AUG2013 | CJV | MRS |



| | | | |
|-----|-------------|---------------------------|---------|
| 1 | 1963856-1 | HEATSINK ASSEMBLY | 5 |
| 1 | 2057626-1 | EXTERNAL BRACKET ASSEMBLY | 4 |
| 1 | 2057930-1 | BACKER PLATE ASSEMBLY | 3 |
| 1 | 2057631-1 | CONNECTOR COVER ASSEMBLY | 2 |
| 2 | 2057592-2 | GUIDE RAIL | 1 |
| - 1 | PART NUMBER | DESCRIPTION | ITEM NO |

| | | | | |
|--|--|---------------------------------|---|--------------------|
| THIS DRAWING IS A CONTROLLED DOCUMENT. | | DWN M. SHIRK 30DEC2009 |  TE Connectivity | |
| DIMENSIONS: mm | | CHK D. SZCZESNY 30DEC2009 | | |
| TOLERANCES UNLESS OTHERWISE SPECIFIED: | | APVD - | NAME CFP HARDWARE KIT W/ HEATSINK, SIDE TO SIDE AIRFLOW | |
| 0 PLC ± | | PRODUCT SPEC 108-2399 | RESTRICTED TO | |
| 1 PLC ± | | APPLICATION SPEC 114-13263 | SIZE A2 | CAGE CODE 00779 |
| 2 PLC ± | | WEIGHT - | DRAWING NO C-2132404 | REV C |
| 3 PLC ± | | CUSTOMER DRAWING | | |
| 4 PLC ± | | SCALE 1:1 | SHEET 1 | OF 1 |
| ANGLES ± | | | | |
| FINISH | | | | |