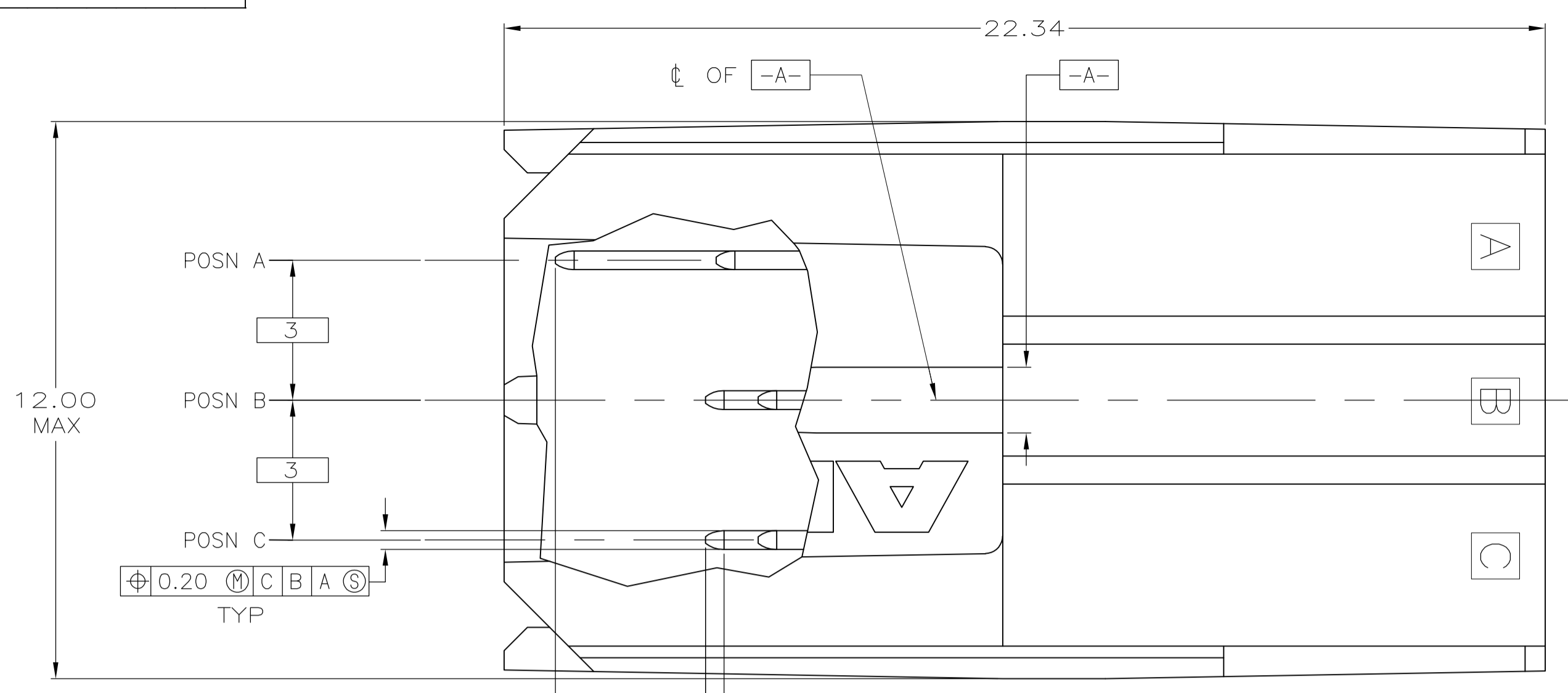
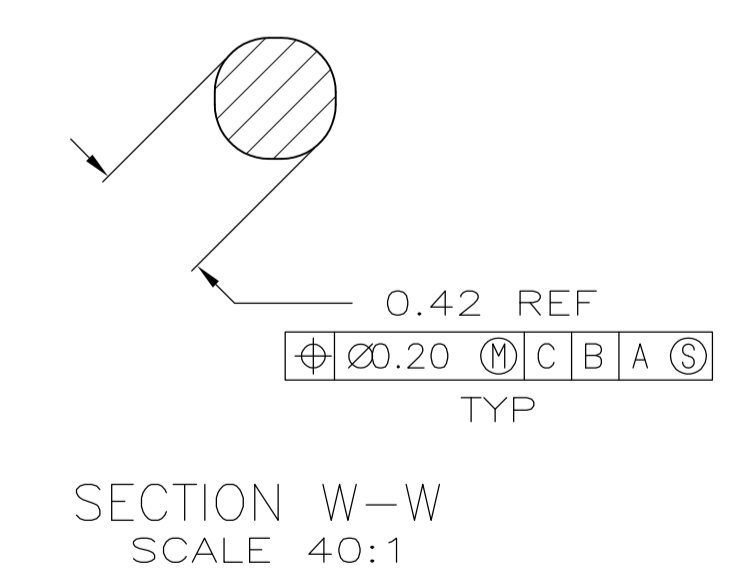
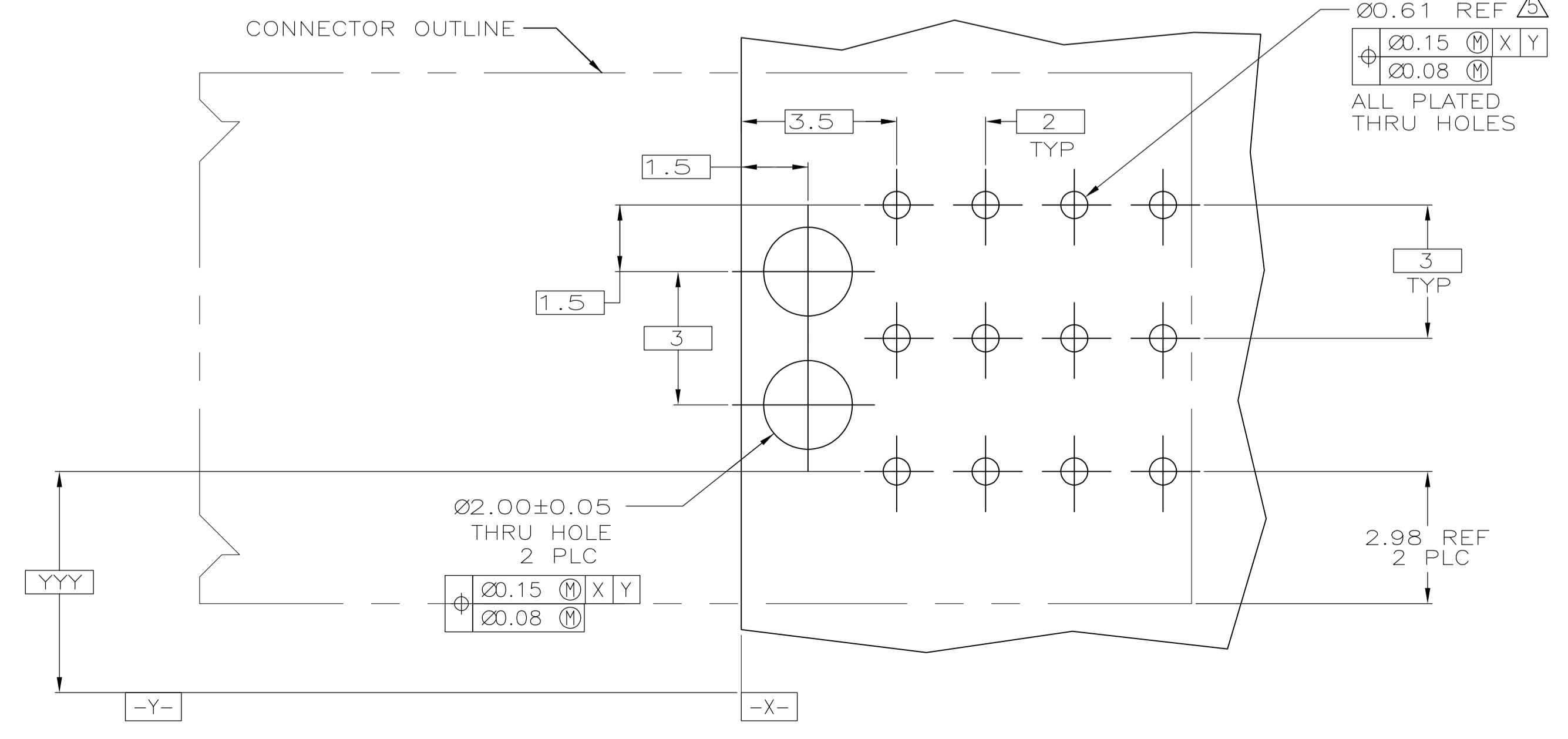
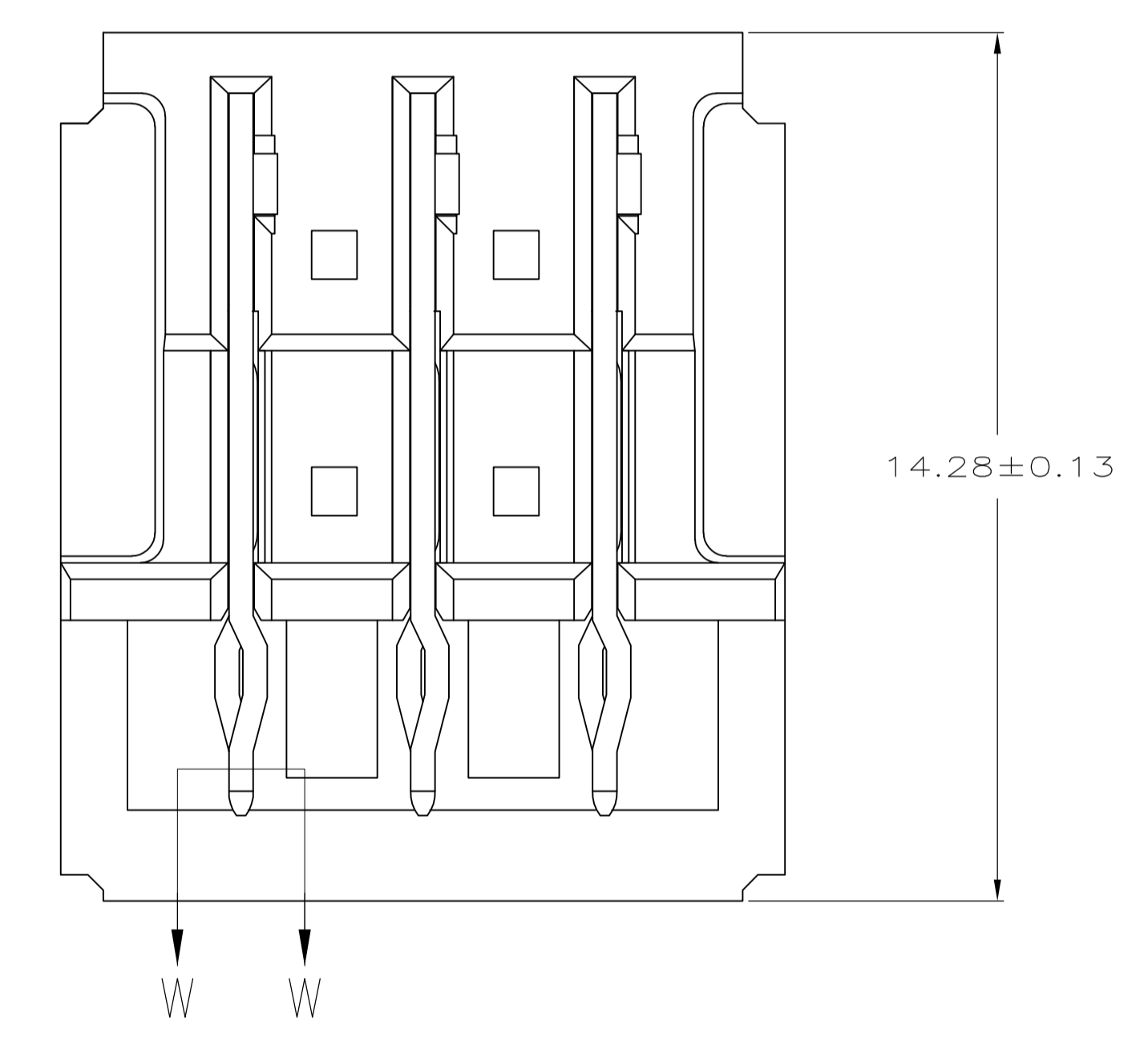
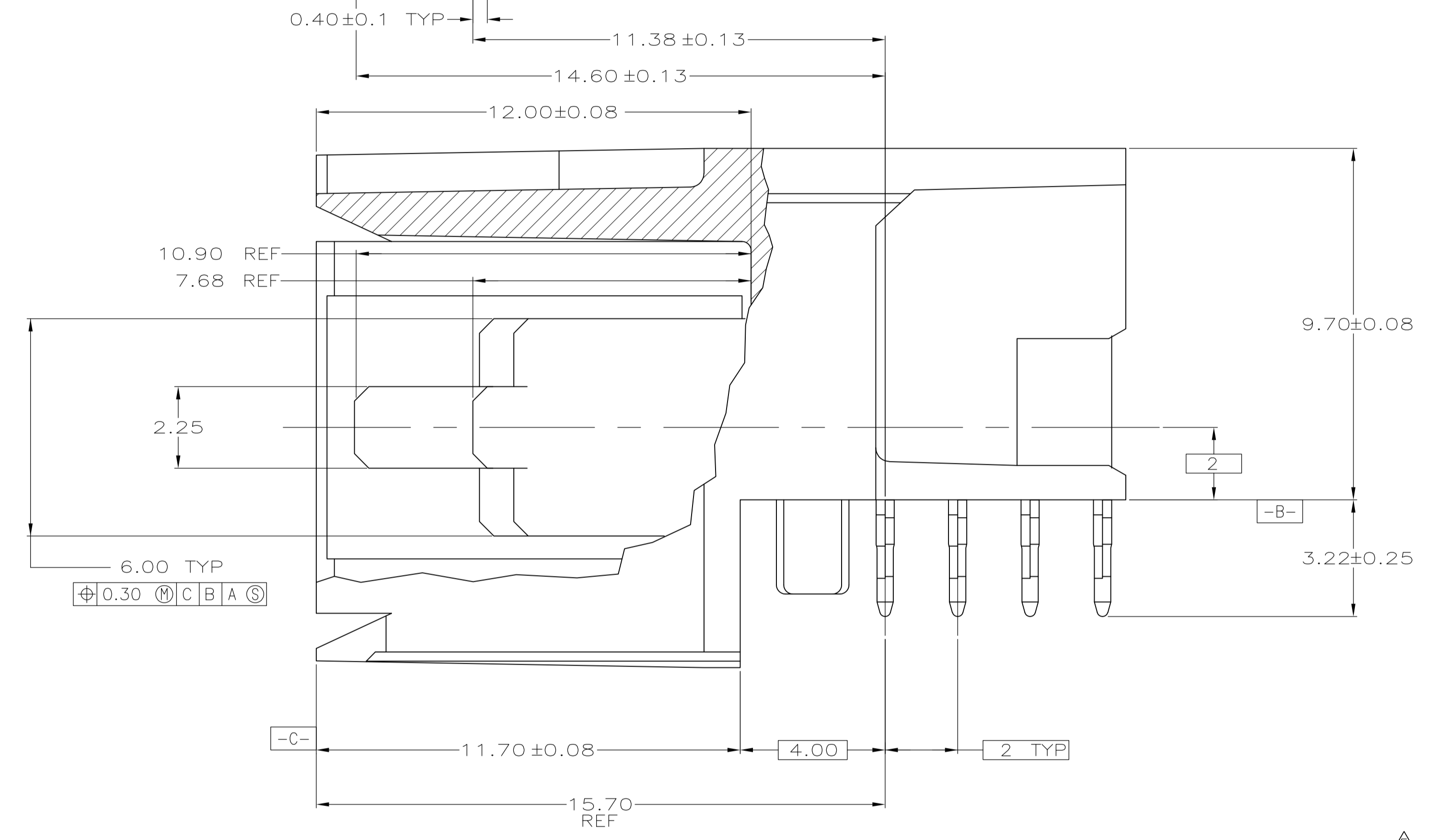
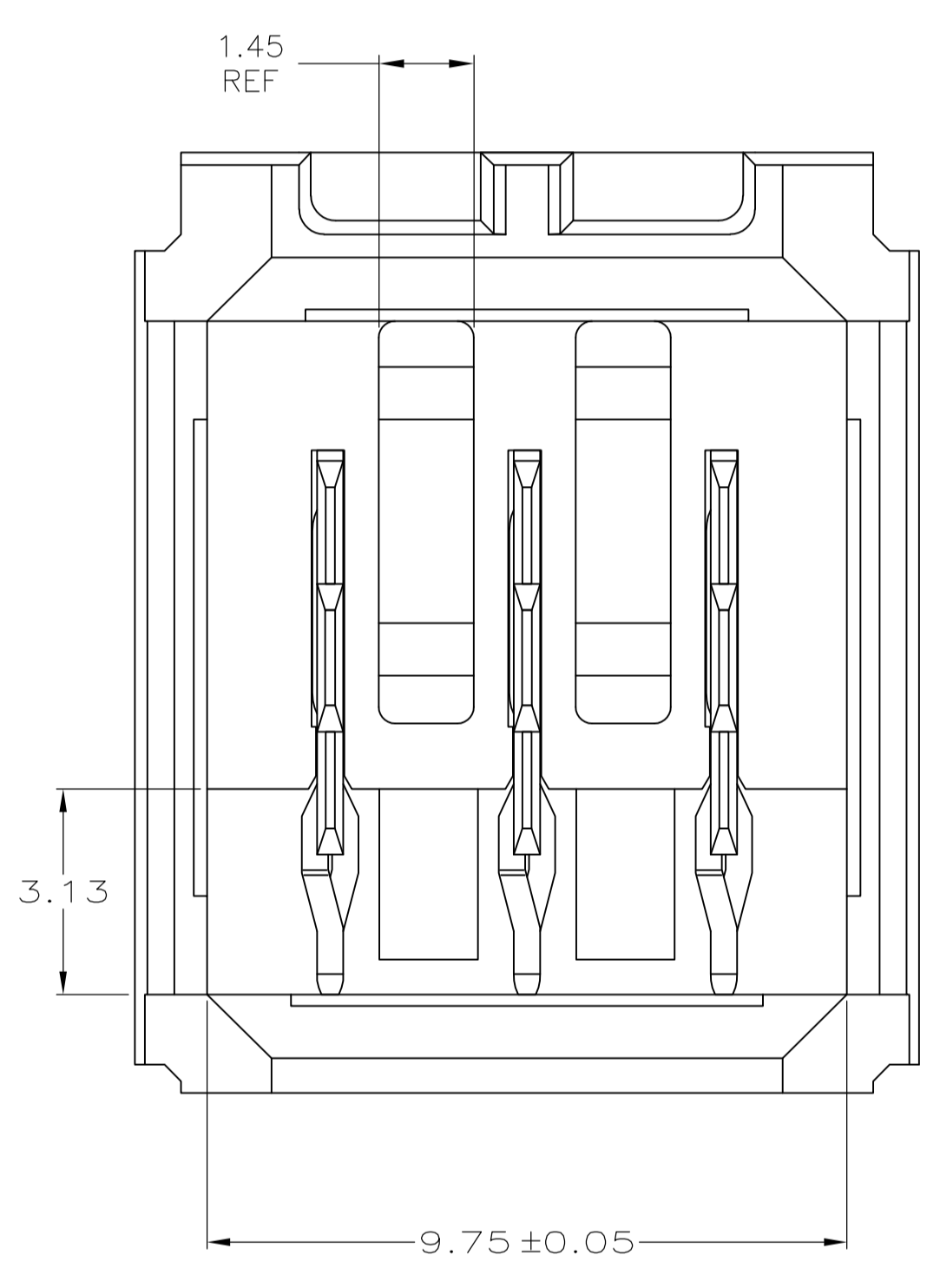


LOC		DIST		REVISIONS			
F	LTR	DATE	DN	APVD			
G	REVISED PER ECO-11-000045	04JAN11	DH	DY			



- △ MATERIAL: HOUSING: POLYESTER, COLOR: GRAY, UL 94V-0. CONTACT: PHOSPHOR BRONZE.
- △ FINISH: CONTACT MATING AREA: 1.27 μ m MIN GOLD OR 0.08 μ m MIN GOLD OVER 0.76 μ m MIN PALLADIUM-NICKEL. ACTION PIN AREA: 0.5 μ m MIN TIN LEAD PLATE, ALL OVER 1.27 μ m MIN NICKEL UNDERPLATE.
- △ FINISH: CONTACT LUBRICATION WITH BELLCORE APPROVED LUBRICANT. TECHNICAL REFERENCE: TR-NWT-001217 ISSUE 1, SEPT 1992.
- △ RESTRICTED PART NUMBER, CONTACT ENGINEERING.
- △ REFERENCE APPLICATION SPEC 114-1103 FOR RECOMMENDED PLATED THRU HOLE DIAMETER AND PLATING THICKNESSES.
- 6. CURRENT RATING 10A/CONTACT PER PRODUCT SPEC 108-1651.
- △ OBSOLETE PARTS: OBSOLETE CIS STREAMLINING PER D.RENAUD/D.SINISI



△ OBSOLETE	223970-8
	223970-1
	PART NUMBER

THIS DRAWING IS A CONTROLLED DOCUMENT.		DIN J.LOCONDRO 30JUN97		Tyco Electronics Corporation Harrisburg, PA 17105-3608	
DIMENSIONS: mm		CIR R.W.FLICKER 30JUN97		NAME R.W.FLICKER 30JUN97	
TOLERANCES UNLESS OTHERWISE SPECIFIED:		PRODUCT SPEC		ASSEMBLY, RIGHT ANGLE HEADER, W/ RETENTION PEGS, UNIVERSAL POWER MODULE	
0 PLC ± -		APPLICATION SPEC		SIZE CASE CODE DRAWING NO RESTRICTED TO	
1 PLC ± 0.13		WEIGHT		A1 00779 C=223970	
2 PLC ± 0.13		CUSTOMER DRAWING		SCALE 10:1 SHEET 1 OF 1 REV G	
3 PLC ± -					
4 PLC ± -					
ANGLES ± -					