

4

3

2

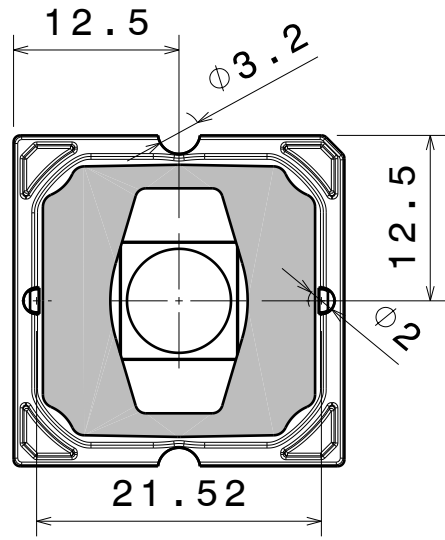
1

4

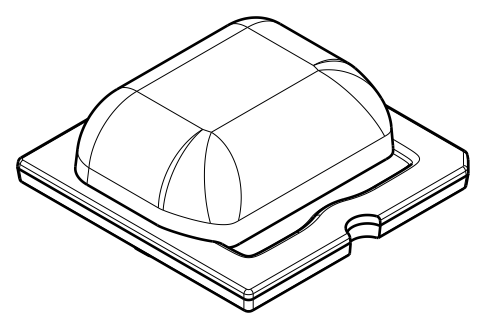
3

2

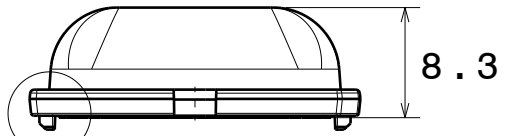
1



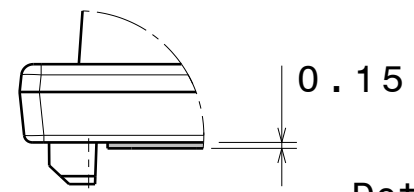
c / c Bottom view



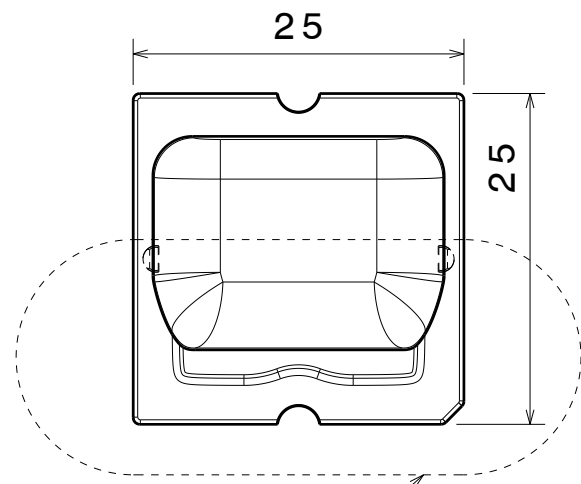
Isometric view



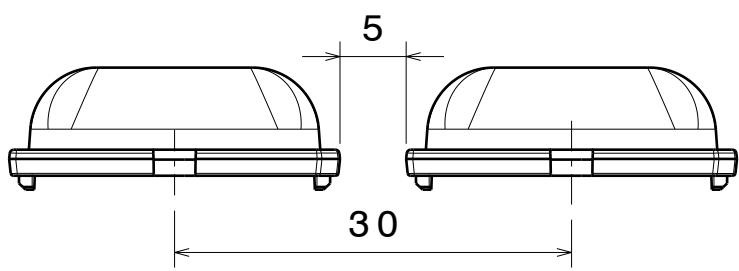
Front view



Detail B



Beam direction Top view



Minimum spacing c / c

Tolerances if not otherwise shown
 According to DIN ISO 2768-1
 Linear measures:
 Up to 30mm class M, otherwise class C.
 According to DIN ISO 2768-2
 Form and position: class L

LEDiL LediL Oy
 Salorankatu 10
 FIN 24240 SALO
 Finland

THIRD ANGLE PROJECTION:

DRAWING TITLE
STRADA-SQ-T3 Datasheet

This drawing is the property of LEDiL Oy. It may not be reproduced, copied or communicated without a written agreement with LEDiL Oy."

SIZE	PART NUMBER
A4	-

SCALE	7:4	WEIGHT	-	SHEET	1/1
-------	-----	--------	---	-------	-----

D

A