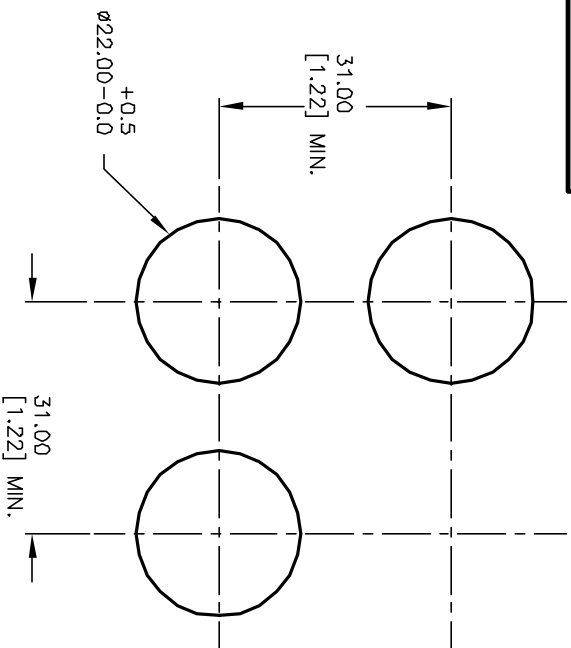


PARTS LIST		Part No.
Item	Qty.	Dwg. No.
1	1	F051701
2	1	F060610
3	1	F060295
		29mm RING FOR LA SERIES
		LASCAU110
		29mm RED LENS



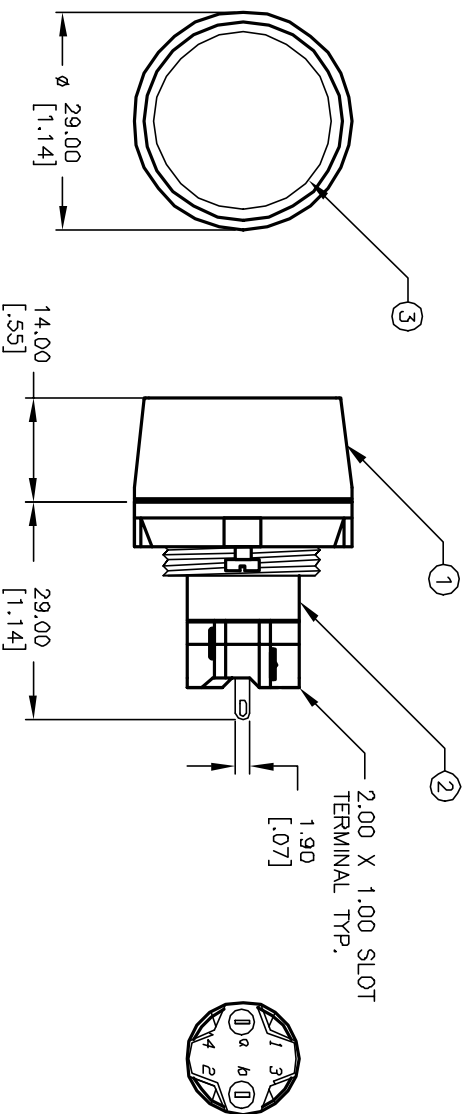
RECOMMENDED PANEL MOUNTING

1.0 ± 0.2
3.0 ± 0.4
a-(L)-b (+)

SPST
CONTACT CONFIGURATION

NOTES:

1. ALL DIMENSIONS IN MM [INCH]
2. GENERAL TOLERANCE: X.X=±0.4
X.XX=±0.25
3. RATINGS: 250VAC @1A, 2A, 4A, 5A



E-SWITCH®

TITLE LAS DA U1 10 RED (W/D LAMP)

SCALE

1:1

DATE

1/25/01

DR

CJB

DWG

XF0348P

REV

A

REV. 11198 RELEASED FOR PRODUCTION 2/12/02 CJB
ECN No. DESCRIPTION DATE CHK'D
THE INFORMATION CONTAINED IN THIS DOCUMENT IS PROPRIETARY TO E-SWITCH AND IS NOT TO BE COPIED OR TRANSMITTED