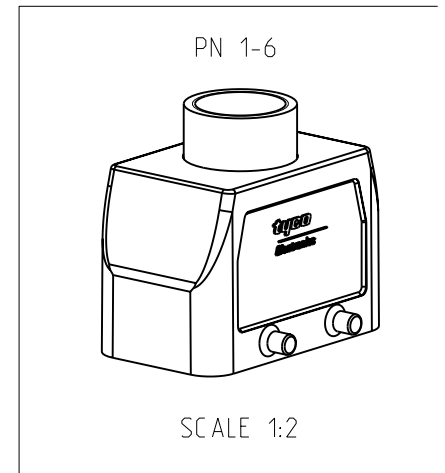
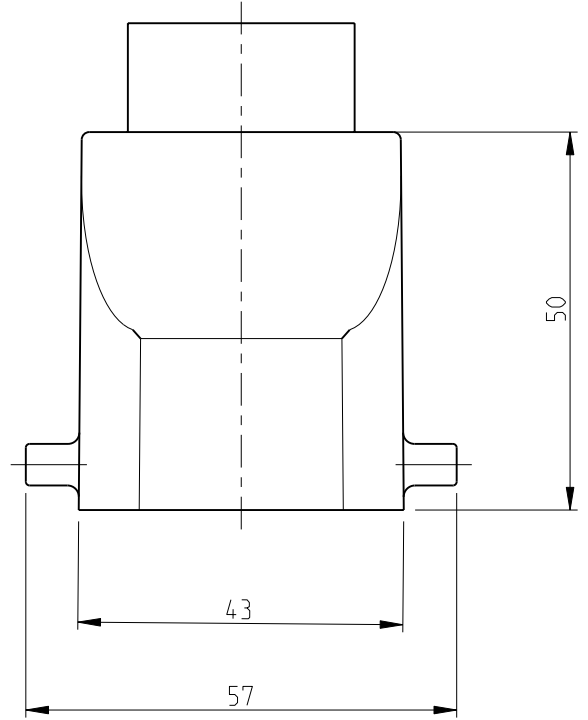
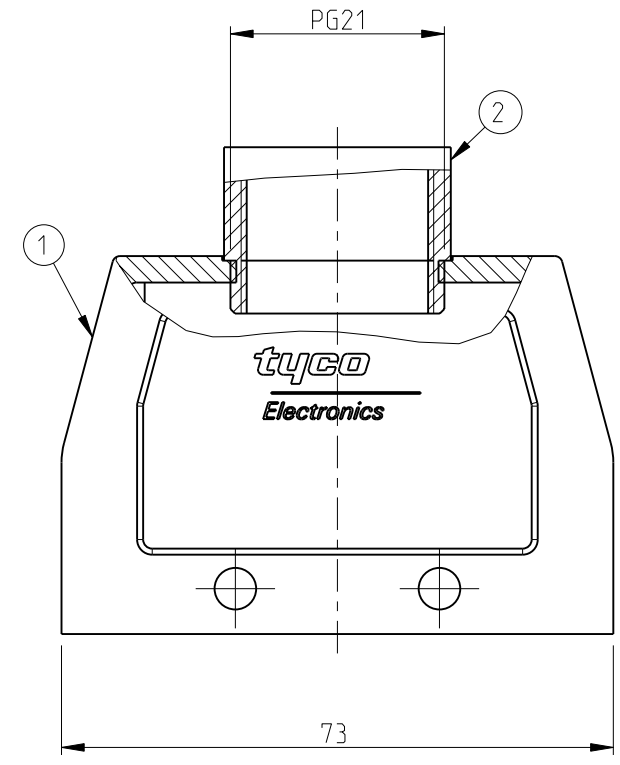


THIS DRAWING IS UNPUBLISHED. RELEASED FOR PUBLICATION .1999.  
 © COPYRIGHT 1998 BY TYCO ELECTRONICS CORPORATION. ALL RIGHTS RESERVED.

LOC	DIST	REVISIONS				
P	LTR	DESCRIPTION	DATE	DWN	APVD	
A1	-	A2	Released as per ECR-07-030422	17.12.07	SP	TS

- NOTES.
- 1 Material:Housing:Aluminium Diecasting Alloy
  - 2 Surface-Powder Varnish Grey
  - 3 Varnish on the inside not necessary
  - 4 Packaging  
Quantity 5 Pieces in a box

PN 1-6



1-6	DESCRIPTION	MATERIAL	SURFACE	COLOR	ITEM NO	NOTES
1	Adaptor round	Brass	Nickel plated	Blue	2	PG21
1	Hood HB	Aluminium	-	Grey	1	-

ORDERING TEXT  
HB.10.ST0.1.21.Z

THIS DRAWING IS A CONTROLLED DOCUMENT FOR TYCO ELECTRONICS CORPORATION IT IS SUBJECT TO CHANGE AND THE CONTROLLING ENGINEERING ORGANIZATION SHOULD BE CONTACTED FOR THE LATEST REVISION.		DWN	Schneider	09.12.02	Tyco Electronics,AMP.GmbH D-53819,Neunkirchen,Germany
DIMENSIONS: mm		CHK	Schweiger	09.12.02	
		APVD	-	-	
TOLERANCES UNLESS OTHERWISE SPECIFIED: n,ISO 8015 n,ISO 2768-mH-E n,DIN 45901-120 0 PLC ± 1 PLC ± 2 PLC ± 3 PLC ± 4 PLC ± ANGLES ±		PRODUCT SPEC	-	NAME	
MATERIAL -		APPLICATION SPEC	-	SIZE	A3
FINISH -		WEIGHT	-	CAGE CODE	00779
		CUSTOMER DRAWING		DRAWING NO	©=1102269
				RESTRICTED TO	-
				SCALE	1:1
				SHEET	1 OF 1
				REV	A2