

4

3

2

1

THIS DRAWING IS UNPUBLISHED.

RELEASED FOR PUBLICATION

20

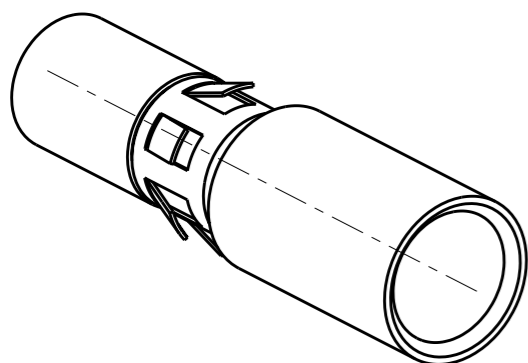
© COPYRIGHT 20

BY TYCO ELECTRONICS CORPORATION. ALL INTERNATIONAL RIGHTS RESERVED.

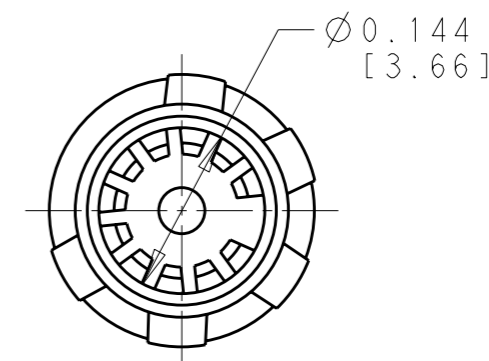
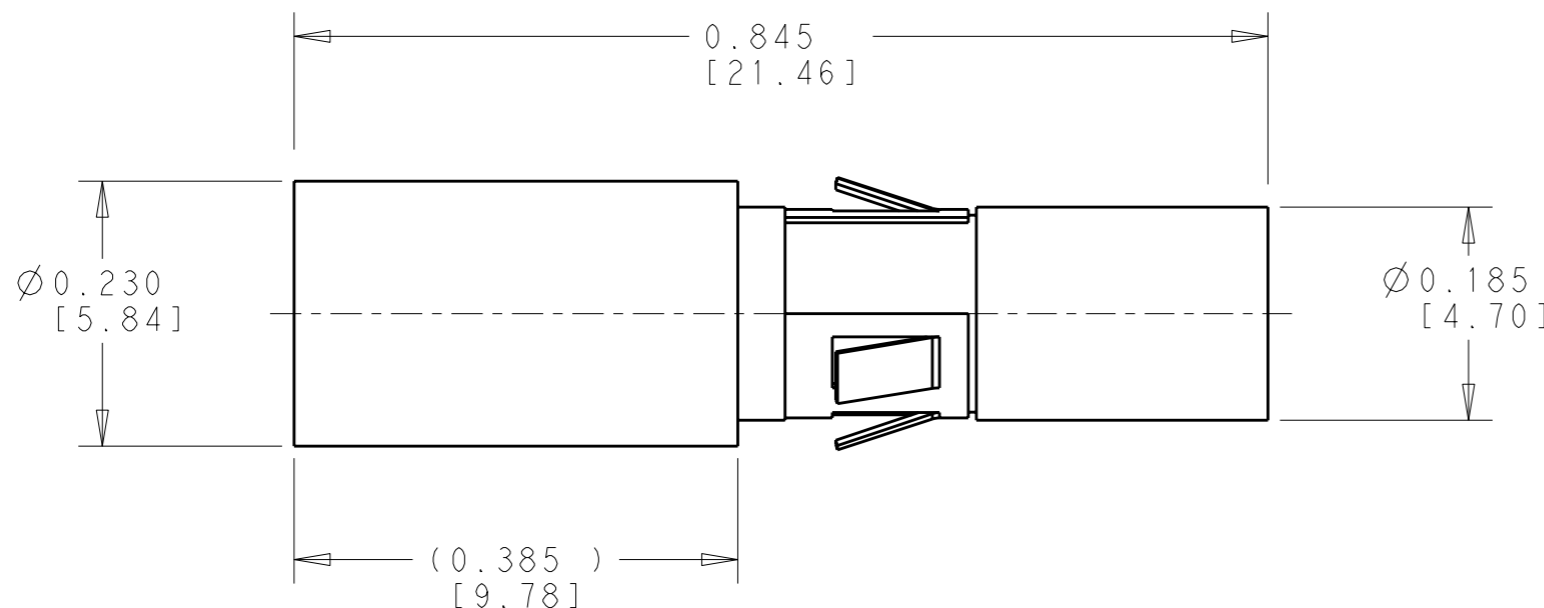
LOC GP DIST 00

REVISIONS

P	LTR	DESCRIPTION	DATE	DWN	APVD
	1	PROPOSED DESIGN	15DEC2009	RG	GS
	2	REVISED	12FEB2010	RG	DO



SCALE 4:1



1 MATERIAL:  
 SOCKET BODY: COPPER ALLOY  
 RETENTION CLIP: STAINLESS STEEL  
 CONTACT BAND: BERYLLIUM COPPER

2 FINISH:  
 SOCKET BODY: GOLD PLATE .000030 (0.76µm) MIN THK GOLD OVER  
 .000050 (1.27µm) MIN THK NICKEL  
 CONTACT BAND: GOLD PLATE .000030 (0.76µm) MIN THK. OVER  
 NICKEL .000040 (1.02µm) MIN THK.

- 3. WIRE BARREL WILL ACCEPT No.8 AWG WIRE
- 4. MATES WITH P/N 1986603-1 OR 1986603-2

THIS PRINT IS  
**PRELIMINARY**  
 UNQUALIFIED PRODUCT  
 CONTACT PRODUCT ENGINEERING  
 BEFORE USING THIS PRINT

AS SHOWN	1986609-1
DESCRIPTION	PART NO.

<small>THIS DRAWING IS A CONTROLLED DOCUMENT FOR TYCO ELECTRONICS CORPORATION          IT IS SUBJECT TO CHANGE AND THE CONTROLLING ENGINEERING ORGANIZATION          SHOULD BE CONTACTED FOR THE LATEST REVISION.</small>		DWN 15DEC2009 R. GRZYBOWSKI CHK 15DEC2009 G. STEINHAUER APVD 15DEC2009 M. PERCHERKE		Tyco Electronics Harrisburg, PA 17105-3608	
DIMENSIONS: INCHES [mm]		TOLERANCES UNLESS OTHERWISE SPECIFIED:		<b>PRELIMINARY</b>	
		0 PLC ±- 1 PLC ±- 2 PLC ±.02[0.5] 3 PLC ±.010[0.25] 4 PLC ±- ANGLES ±-		PRODUCT SPEC - APPLICATION SPEC - WEIGHT -	
MATERIAL 1		FINISH 2		NAME SOCKET POWER MODIFIED No.8 AWG	
CUSTOMER DRAWING		SIZE A3 CAGE CODE 00779 DRAWING NO C-1986609		RESTRICTED TO -	
		SCALE 6:1		SHEET 1 OF 1 REV 2	