

## Bus coupler - IL CO BK-PAC - 2702230

Please be informed that the data shown in this PDF Document is generated from our Online Catalog. Please find the complete data in the user's documentation. Our General Terms of Use for Downloads are valid (<http://phoenixcontact.com/download>)



Inline, Bus coupler, CANopen®, MINI COMBICON, transmission speed in the local bus: 500 kbps / 2 Mbps, including network connector, Inline connector, and marking field

### Product Description

The bus coupler is intended for use within a CANopen® network and represents the link to the Inline I/O system. Up to 63 Inline devices can be connected to the bus coupler. A corresponding EDS file is available for integrating the Inline station into the programming system. This file can be downloaded via the product at [phoenixcontact.net/products](http://phoenixcontact.net/products).

### Why buy this product

- Auto baud rate detection in the CANopen® network
- Programmable modes for behavior in the event of an error
- Emergency messages
- Integrated termination resistor can be switched on or off via DIP switch
- Supports two SDO servers simultaneously
- Trigger modes: event, timer, remote request
- Node and life guarding
- Heartbeat
- Connection to CANopen® with 5-pos. MINI COMBICON connector



### Key Commercial Data

Packing unit	1 STK
GTIN	
GTIN	4055626134949

### Technical data

#### Note

Utilization restriction	EMC: class A product, see manufacturer's declaration in the download area
-------------------------	---

#### Dimensions

# Bus coupler - IL CO BK-PAC - 2702230

## Technical data

### Dimensions

Width	40 mm
Height	119.4 mm
Depth	71.5 mm
Note on dimensions	Housing dimensions

### Ambient conditions

Ambient temperature (operation)	-25 °C ... 55 °C
Ambient temperature (storage/transport)	-40 °C ... 85 °C
Permissible humidity (operation)	10 % ... 95 % (according to DIN EN 61131-2)
Permissible humidity (storage/transport)	10 % ... 95 % (according to DIN EN 61131-2)
Air pressure (operation)	70 kPa ... 106 kPa (up to 3000 m above sea level)
Air pressure (storage/transport)	70 kPa ... 106 kPa (up to 3000 m above sea level)
Degree of protection	IP20

### General

Mounting type	DIN rail
Net weight	168.5 g
Note on weight specifications	with connectors
Diagnostics messages	CRC error Message about the emergency object
	Peripheral fault Message about the emergency object
	Power error Message about the emergency object
	Module change errors Message about the emergency object
	Inactive local bus Message about the emergency object
	Inline connection error Message about the emergency object
	Faulty Inline cycles Message about the emergency object

### Interfaces

Designation	CANopen®
No. of channels	1
Connection method	MINI COMBICON
Transmission speed	1 Mbps, 800 kbps, 500 kbps, 250 kbps, 125 kbps, 50 kbps, 20 kbps, 10 kbps (Can be set via DIP switch or automatic detection)
Number of positions	5
Designation	Inline local bus
Connection method	Inline data jumper
Transmission speed	500 kbps / 2 Mbps (automatic detection, no combined system)

### System limits of the bus coupler

Designation	System limits of the bus coupler
Amount of process data	max. 512 Byte (Sum of the inputs and outputs for 64 PDOs with 8 bytes each)
Number of supported devices	max. 63 (per station)
Number of local bus devices that can be connected	max. 63

# Bus coupler - IL CO BK-PAC - 2702230

## Technical data

### System limits of the bus coupler

Number of devices with parameter channel	max. 16
Number of supported branch terminals with remote bus branch	0
Designation	CANopen <sup>®</sup>
Device profile	CiA 401 V3.0

### Inline potentials

Designation	Bus coupler supply $U_{BC}$ ; Communications power $U_L$ (7.5 V) and the analog supply $U_{ANA}$ (24 V) are generated from the bus coupler supply.
Supply voltage	24 V DC (via Inline connector)
Supply voltage range	19.2 V DC ... 30 V DC (including all tolerances, including ripple)
Current consumption	typ. 51 mA (No local bus devices connected) max. 0.9 A (with max. number of connected I/O terminal blocks)
Designation	Communications power ( $U_L$ )
Supply voltage	7.5 V DC
Power supply unit	max. 0.8 A
Designation	Supply of analog modules ( $U_{ANA}$ )
Supply voltage	24 V DC
Supply voltage range	19.2 V DC ... 30 V DC (including all tolerances, including ripple)
Power supply unit	max. 0.5 A DC
Designation	Main circuit supply ( $U_M$ )
Supply voltage	24 V DC
Supply voltage range	19.2 V DC ... 30 V DC (including all tolerances, including ripple)
Power supply unit	max. 8 A DC (sum of $U_M + U_S$ )
Designation	Segment circuit supply ( $U_S$ )
Supply voltage	24 V DC
Supply voltage range	19.2 V DC ... 30 V DC (including all tolerances, including ripple)
Power supply unit	max. 8 A DC (sum of $U_M + U_S$ )
Power consumption	typ. 1.3 W (entire device)

### Standards and Regulations

Protection class	III, IEC 61140, EN 61140, VDE 0140-1
------------------	--------------------------------------

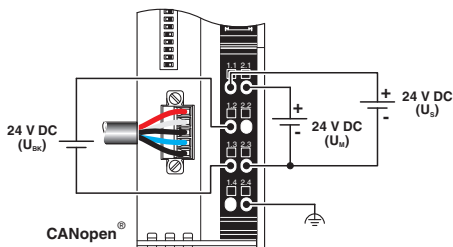
### Environmental Product Compliance

REACH SVHC	Lead 7439-92-1
China RoHS	Environmentally Friendly Use Period = 50
	For details about hazardous substances go to tab "Downloads", Category "Manufacturer's declaration"

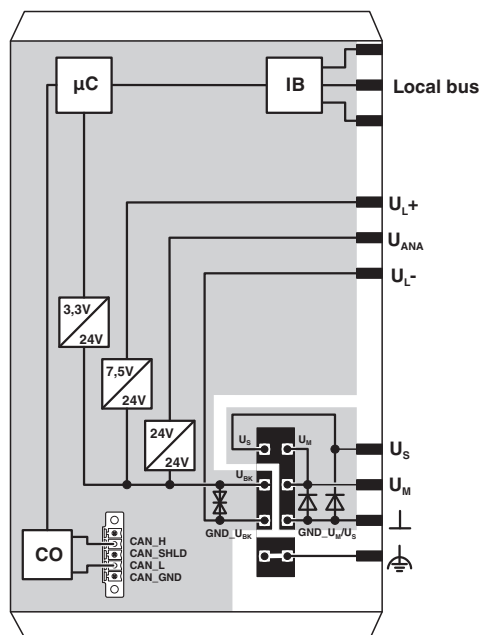
## Drawings

# Bus coupler - IL CO BK-PAC - 2702230

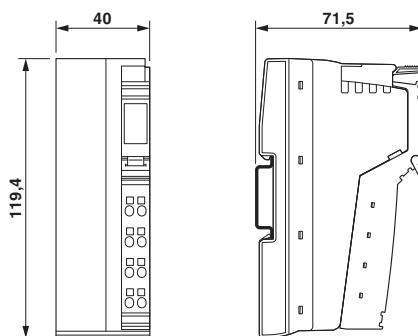
Connection diagram



Block diagram



Dimensional drawing



## Approvals

Approvals

Approvals


UL Listed / cUL Listed / cULus Listed


Ex Approvals

## Approval details

## Bus coupler - IL CO BK-PAC - 2702230

### Approvals

UL Listed		<a href="http://database.ul.com/cgi-bin/XYV/template/LISEXT/1FRAME/index.htm">http://database.ul.com/cgi-bin/XYV/template/LISEXT/1FRAME/index.htm</a>	FILE E 238705
-----------	---	---	---------------

cUL Listed		<a href="http://database.ul.com/cgi-bin/XYV/template/LISEXT/1FRAME/index.htm">http://database.ul.com/cgi-bin/XYV/template/LISEXT/1FRAME/index.htm</a>	FILE E 238705
------------	---	---	---------------

cULus Listed			
--------------	---	--	--

Phoenix Contact 2018 © - all rights reserved  
<http://www.phoenixcontact.com>

PHOENIX CONTACT GmbH & Co. KG  
Flachsmarktstr. 8  
32825 Blomberg  
Germany  
Tel. +49 5235 300  
Fax +49 5235 3 41200  
<http://www.phoenixcontact.com>