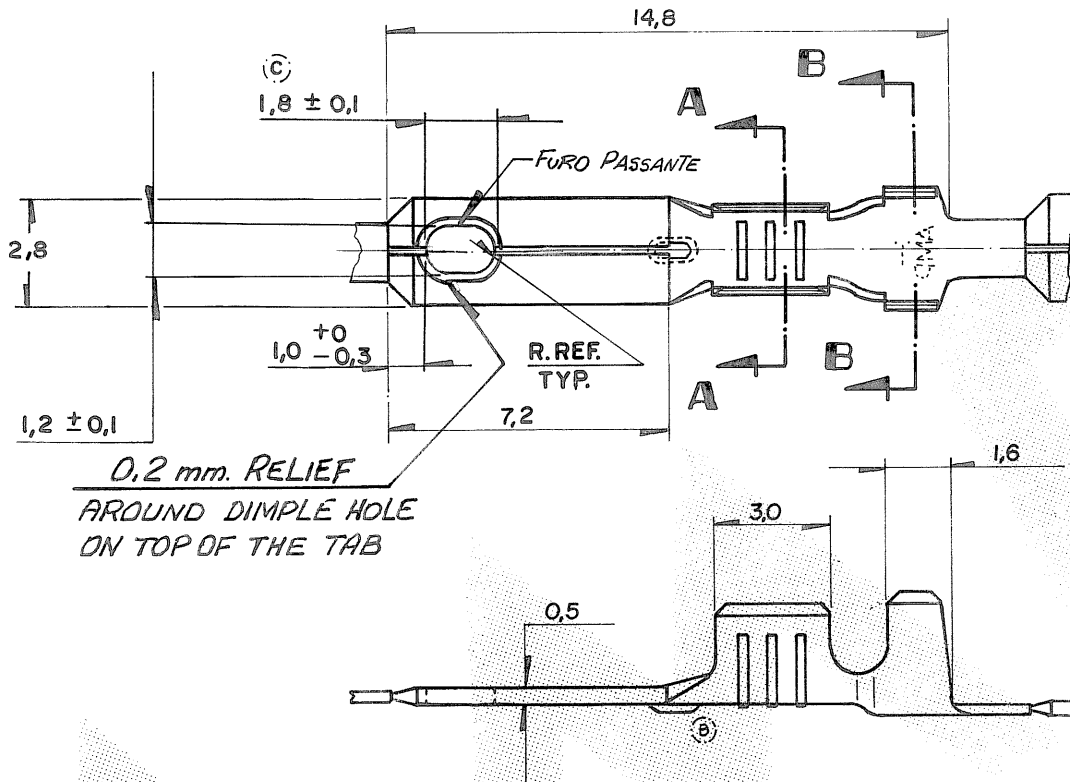


DO NOT SCALE

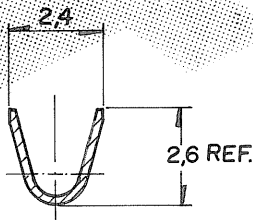
METRIC

37.5° ANGLE PROJECTION

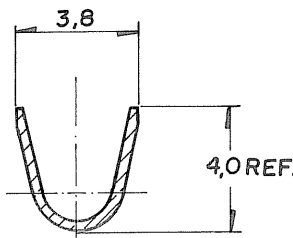


0.2 mm RELIEF
AROUND DIMPLE HOLE
ON TOP OF THE TAB

1 OBSOLETE PARTS:
OBSOLETE CIS STREAMLINING
PER: D.RENAUD/D.SINISI



SECÇÃO A-A



SECÇÃO B-B

1

ESTANHADO

LATÃO

880 633 - 2

LATÃO

880 633 - 1

OTHER TREATMENT

FINISH

MATERIAL

PART NUMBER

CUSTOMER DWG
for REFERENCE ONLY

THIS DRAWING IS UNPUBLISHED RELEASED FOR PUBLICATION 19
© COPYRIGHT 19 BY AMP DO BRASIL LTDA S.P. ALL INTERNATIONAL RIGHTS
RESERVED AMP PRODUCTS MAY BE COVERED BY U.S. AND FOREIGN PATENTS AND/OR PATENTS PENDING

TOLERANCES UNLESS
OTHERWISE STATED

INS. DIA. RANGE
Ø 2.0 - 2.7

WIRE RANGE
0.5 - 1.0mm²

SCALE
//

DEC. ± 0.3
ANGLES ± 1°

Tyco
Electronics do BRASIL LTDA.
São Paulo, Brasil

Dr. *[Signature]* June, 05-90

DESCRIPTION

.110 SERIES FASTON TAB

CHK *[Signature]* 05. Jun. 90

DE. *[Signature]*

DWG NO

880 633

SHEET

1 of 1

APP. *[Signature]* 05/Jun/90

ISS	REVISION RECORD	DR	CHK	DATE
D	REV. BY ECO-10-012179	HC	WLS	10AUG10
C1	REVISED PER ECO-09-026444	KK	AEG	26NOV09
C	REVISADO EC LB 00.0120-00	H.C.	<i>[Signature]</i>	26Apr00
B	REVISADO EC LB 0344/93	H.C.	<i>[Signature]</i>	01-set-93
A	WAS P. 85-29066	<i>[Signature]</i>	<i>[Signature]</i>	June 15-90

A 4