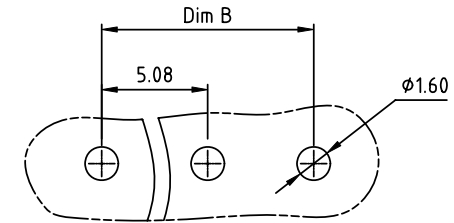
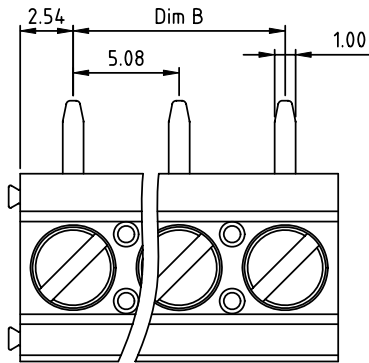
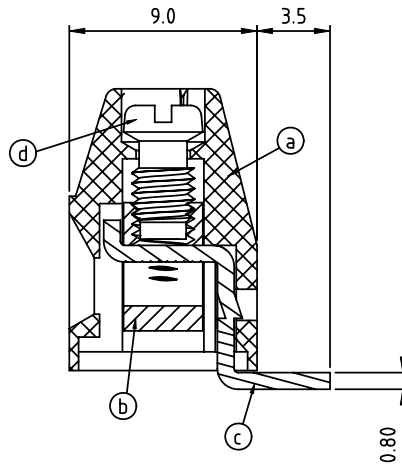
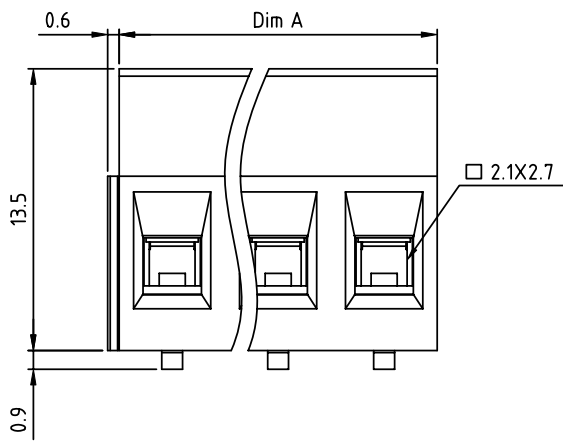


PRODUCT NUMBER	PITCH
Vlxx21x300J0G	5.08 mm



RECOMMENDED P.C.B LAYOUT
TOP VIEW



Material:

- Item①Terminal housing: Thermoplastic (UL 94V-0)
- Item②Clamp: Brass ,Ni plated
- Item③Solder pin: Brass ,Tin plated
- Item④Terminal screw: Steel Zinc plating"-slot type

Electrical cULus

- Voltage rating: 300V
- Current rating: 16A
- Wire range:
- Solid wire(AWG): 12-28
- Stranded wire(AWG): 12-28
- Torque: 3.5Lb-In
- Screw: M3
- Wire strip length: 6-7mm
- Withstanding Voltage: 1.6KV
- Operating temperature: -40°C to +115°C
- Soldering temperature: 260°C±5°C/5 Sec
- Safety Approval:

DIMENSION

Dim A	Nx5.08
Dim B	(N-1)x5.08

N=number of poles

Poles	Tolerance
4p-5p	±0.10
6p-10p	±0.15
11p-15p	±0.20
16p-20p	±0.25
21p-24p	±0.30

PART NO.: VI xx 2 1 x 3 00J0 G

Solid block	0	Black (RAL9005)	RoHS compliant (lead<4%) In copper Alloy
No. of poles	2	Red (RAL3001/D)	
04 4 poles	3	Orange(RAL2011/P)	
05 5 poles	4	Yellow(RAL1018/A)	
... ..	5	Green(RAL6018/T)	
24 24 poles	6	Blue (RAL5015/A)	
	8	Grey(RAL7035/D)	
	9	White(RAL1102)	
	C	Green(RAL6018/U)	

mat'l. code		surface ASME Y14.5 ✓	tolerance ASME Y14.5	projection 	product family TERMINAL BLOCK
ltr	ecn no	dr	date	tolerances unless otherwise specified	title
				angles X.±0.5	TERMINAL BLOCK
				flatness X.X±0.3	↑ MM ↓
				total runout X.XX±0.1	scale
				dr EVIN ZHONG 040914	FCI
				enr EVIN ZHONG 040914	sheet 1 of 1 size
				chr HANKE FENG 040914	Vlxx21x300J0G
				appd SHI JUN 040914	A4
sheet index	revision sheet	A	1		type CUSTOMER Drawing