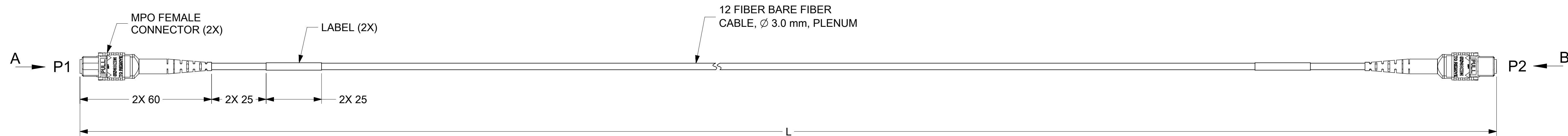
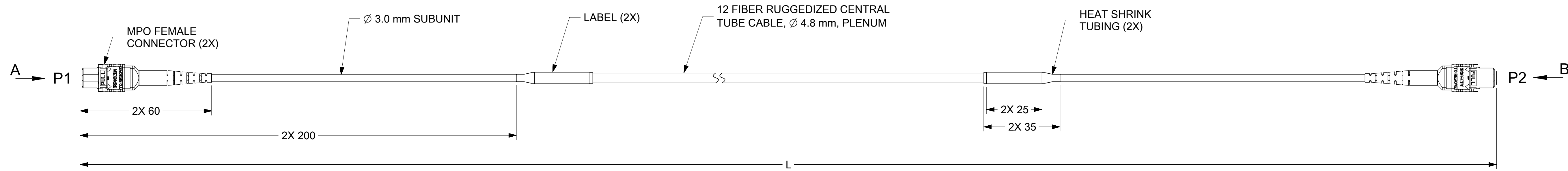


TRUNK CABLE P/N	OVERALL LENGTH, L (m)	CABLE TYPE	FIBER TYPE	CONNECTOR/CABLE COLOR	INSERTION LOSS	RETURN LOSS
1062250049	1.0 +0.2 / -0	SINGLE JACKET	MM 50/125 μm OM3 BIF	AQUA / AQUA	0.35 dB @ 850 nm	---
1062250050	3.0 +0.2 / -0					
1062250051	5.0 +0.2 / -0					
1062250001	10.0 +0.2 / -0					
1062250052	15.0 +0.3 / -0					
1062250002	25.0 +0.5 / -0	RUGGEDIZED CENTRAL TUBE	MM 50/125 μm OM3 BIF	AQUA / AQUA	0.35 dB @ 850 nm	---
1062250003	50.0 +1.0 / -0					
1062250004	100.0 +2.0 / -0					
1062250053	1.0 +0.2 / -0	SINGLE JACKET	MM 50/125 μm OM4 BIF	AQUA / AQUA	0.35 dB @ 850 nm	---
1062250054	3.0 +0.2 / -0					
1062250055	5.0 +0.2 / -0					
1062250005	10.0 +0.2 / -0					
1062250056	15.0 +0.3 / -0					
1062250006	25.0 +0.5 / -0	RUGGEDIZED CENTRAL TUBE	MM 50/125 μm OM4 BIF	AQUA / AQUA	0.35 dB @ 850 nm	---
1062250007	50.0 +1.0 / -0					
1062250008	100.0 +2.0 / -0					
1062250057	1.0 +0.2 / -0	SINGLE JACKET	SM 9/125 μm OS2 ITU-T G.657.A1 BIF	YELLOW / YELLOW	0.35 dB @ 1550 nm	- 50 dB @ 1550 nm
1062250058	3.0 +0.2 / -0					
1062250059	5.0 +0.2 / -0					
1062250009	10.0 +0.2 / -0					
1062250060	15.0 +0.3 / -0					
1062250010	25.0 +0.5 / -0	RUGGEDIZED CENTRAL TUBE	SM 9/125 μm OS2 ITU-T G.657.A1 BIF	YELLOW / YELLOW	0.35 dB @ 1550 nm	- 50 dB @ 1550 nm
1062250011	50.0 +1.0 / -0					
1062250012	100.0 +2.0 / -0					

CONNECTIONS	
FROM	TO
P1-1 THRU P1-12	P2-1 THRU P2-12

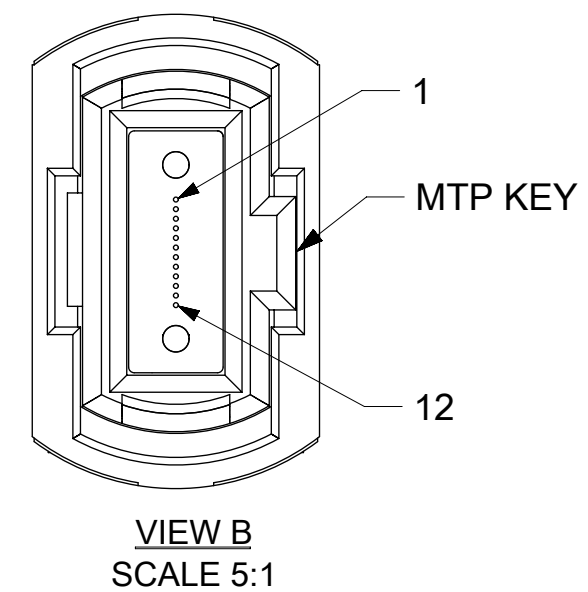
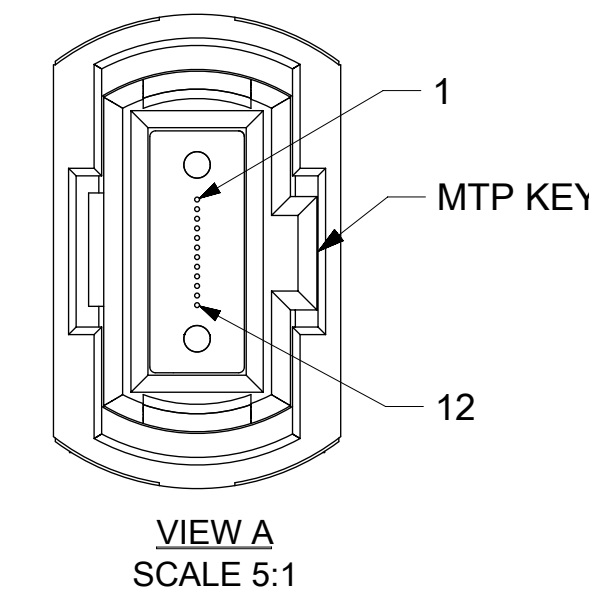


SINGLE JACKET



RUGGEDIZED CENTRAL TUBE

- NOTES:
1. ENDCAPS ARE NOT SHOWN BUT INCLUDED.
 2. LABEL IS PRINTED WITH MOLEX P/N AND SERIAL NUMBER.
 3. FOR DETAILED PRODUCT SPECIFICATION SEE DOCUMENT 1062250000 ES.
 4. CABLE CONSTRUCTION:
 - L < 25 meters - SINGLE JACKET CABLE
 - L ≥ 25 meters - RUGGEDIZED CENTRAL TUBE CABLE
 5. INSERTION LOSS TEST DATA IS PROVIDED WITH EACH SHIPMENT.
 6. PACKAGING:
 - L < 50 meters - INDIVIDUALLY COILED AND BAGGED
 - L ≥ 50 meters - SHIPPED ON SPOOLS



QUALITY SYMBOLS F = 0 E = 0 E = 0 ▽ = 0 C = 0 ☒ = 0 ■ = 0 ▽ = 0		THIS DRAWING CONTAINS INFORMATION THAT IS PROPRIETARY TO MOLEX ELECTRONIC TECHNOLOGIES, LLC AND SHOULD NOT BE USED WITHOUT WRITTEN PERMISSION		DIMENSION UNITS: mm SCALE: 1:1		molex MPO(F) TO MPO(F) TRUNK CABLE, 12 FIBER, PLENUM	
EC NO: 167430	DRWN: IGUMIN	CHKD: IGUMIN	REV: APPR: IGUMIN	2017/10/30	2017/11/08	IGUMIN	2017/01/25
GENERAL TOLERANCES (UNLESS SPECIFIED) ANGULAR TOL ± ° 4 PLACES ± 3 PLACES ± 2 PLACES ± 1 PLACE ± 0 PLACES ±				DRAFT WHERE APPLICABLE MUST REMAIN WITHIN DIMENSIONS		PRODUCT CUSTOMER DRAWING	
SERIES: 106225 MATERIAL NUMBER: SEE TABLE CUSTOMER:				DATE: 2017/03/21		DOCUMENT NUMBER: 1062250000 DOC TYPE: PSD DOC PART: 000 SHEET NUMBER: 1 OF 1	