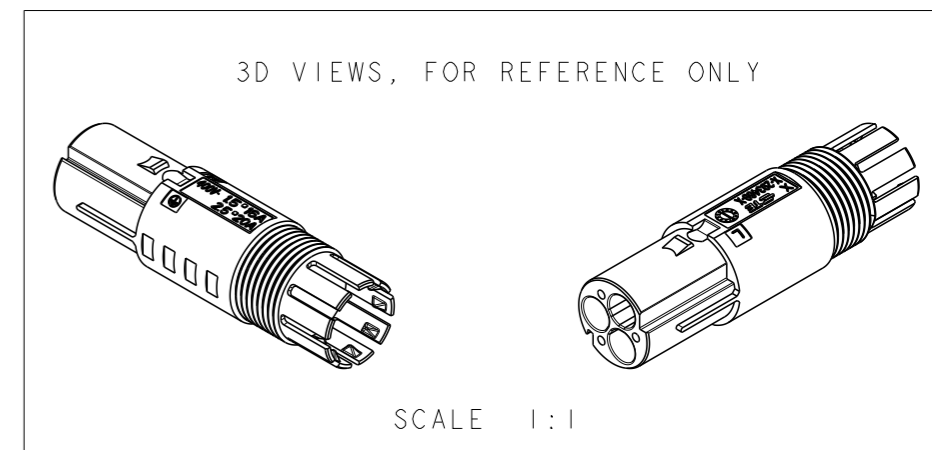
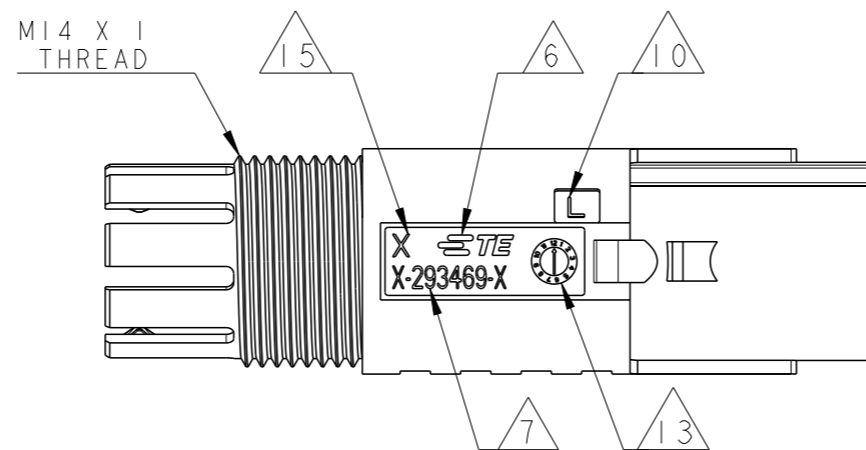
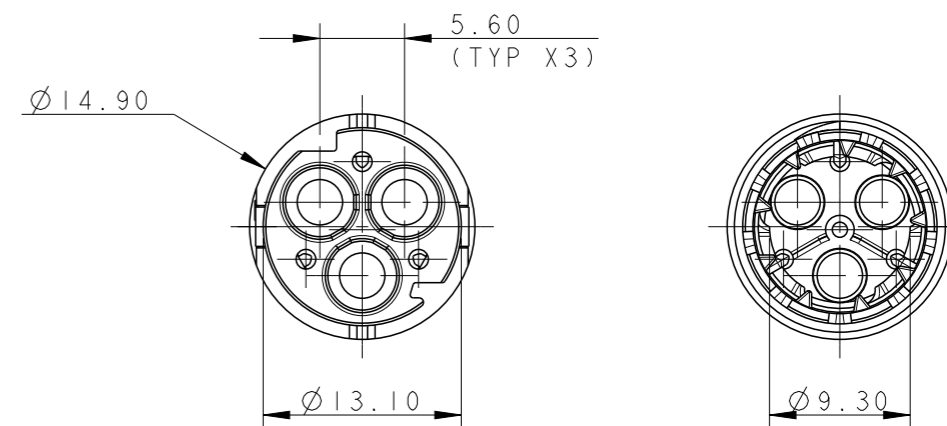
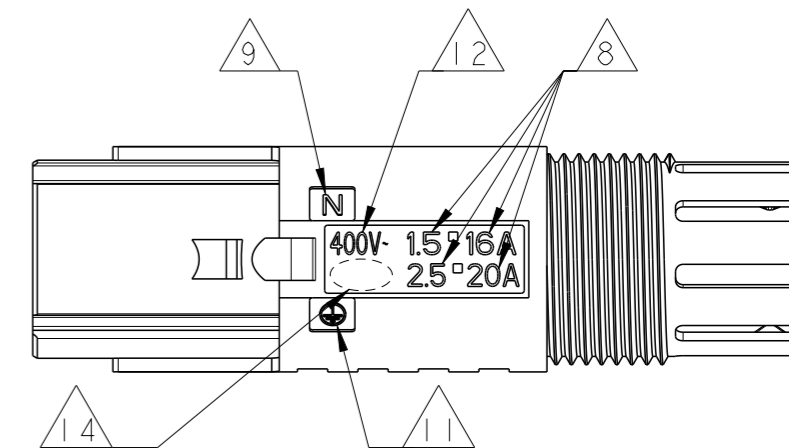
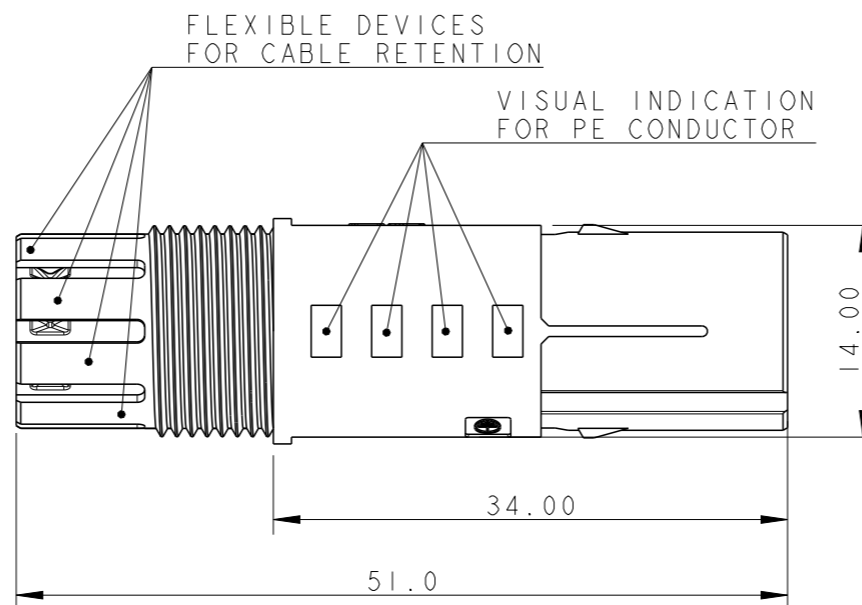


THIS DRAWING IS UNPUBLISHED. RELEASED FOR PUBLICATION 2010
 © COPYRIGHT 2010 Tyco Electronics AMP GmbH ALL RIGHTS RESERVED.


LOC	DIST	REVISIONS			
P	LTR	DESCRIPTION	DATE	DWN	APVD
	F1	REVISED PART NUMBERS	06JUN2011	MZ	GT
	G	PARTS -1 AND 1-1 RELEASED FOR PRODUCTION	12SEP2011	MZ	GT
	G1	REVISED MARKINGS	05NOV2012	MZ	JC
	G2	PARTS -2, -3, 1-2, 1-3 RELEASED FOR PRODUCTION	26JUN2013	KR	JC

NOTES:

- 1) MATERIAL: POLYAMIDE GLASS FILLED
COLOUR NATURAL
- 2) MATERIAL: POLYAMIDE GLASS FILLED
COLOUR BLACK
- 3) NET WEIGHT: ~4.8 g
- 4) VOLUME: ~3450 mm³
- 5) PACKAGING: SEE TE PACKAGING SPECIFICATION
107-20294
- 6) TE LOGO
- 7) TE PART NUMBER
- 8) CONDUCTOR SIZE AND CURRENT RATING
- 9) N CODE
- 10) L CODE
- 11) PE CODE
- 12) RATED VOLTAGE
- 13) DATE CODE
- 14) AREA FOR AGENCY APPROVAL LOGO
- 15) CAVITY MOULD ID
- 16) PART NOT YET TOOLED AND RELEASED
FOR PRODUCTION



17) FOR CABLE TYPE AND CABLE RANGE REFER TO CUSTOMER DRAWING 293607

THIS DRAWING IS A CONTROLLED DOCUMENT.		DWN M. ZUCCA 06OCT2009	 TE Connectivity															
DIMENSIONS: mm		CHK M. ZUCCA 06OCT2009																
TOLERANCES UNLESS OTHERWISE SPECIFIED:		APVD G. TURCO 06OCT2009	NAME PIN HOUSING FREE HANGING NECTOR* M-LINE 3 POSITIONS UNSEALED VERSION															
<table border="1"> <tr> <td>0 PLC</td> <td>±</td> </tr> <tr> <td>1 PLC</td> <td>±0.3</td> </tr> <tr> <td>2 PLC</td> <td>±0.20</td> </tr> <tr> <td>3 PLC</td> <td>±</td> </tr> <tr> <td>4 PLC</td> <td>±</td> </tr> <tr> <td>ANGLES</td> <td>±3°</td> </tr> <tr> <td>FINISH</td> <td>-</td> </tr> </table>		0 PLC	±	1 PLC	±0.3	2 PLC	±0.20	3 PLC	±	4 PLC	±	ANGLES	±3°	FINISH	-	PRODUCT SPEC 108-20304	SIZE A3	
0 PLC	±																	
1 PLC	±0.3																	
2 PLC	±0.20																	
3 PLC	±																	
4 PLC	±																	
ANGLES	±3°																	
FINISH	-																	
MATERIAL SEE NOTES		APPLICATION SPEC 114-20152	CAGE CODE 00779	DRAWING NO C-293469														
		WEIGHT NOTE 3	RESTRICTED TO -															
		Customer Drawing	SCALE 2:1	SHEET 1 OF 2 REV G2														

THIS DRAWING IS UNPUBLISHED. RELEASED FOR PUBLICATION 2010
 © COPYRIGHT 2010 Tyco Electronics AMP GmbH ALL RIGHTS RESERVED.

LOC	DIST	REVISIONS					
		P	LTR	DESCRIPTION	DATE	DWN	APVD
1	-	-	-	SEE SHEET 1	-	-	-

POLARIZATION TYPES

TYPE "A"	TYPE "B"	TYPE "C"
P/Ns: 0-293469-1, 1-293469-1	P/Ns: 0-293469-2, 1-293469-2	P/Ns: 0-293469-3, 1-293469-3
TYPE "D"	TYPE "E"	TYPE "F"
P/Ns: 0-293469-4, 1-293469-4	P/Ns: 0-293469-5, 1-293469-5	P/Ns: 0-293469-6, 1-293469-6

TABLE 1					
NOTE	POL. KEYING	COLOUR	DESCRIPTION	REV.	PART NUMBER
2	F	BLACK	PIN HOUSING FREE HANGING VERSION NECTOR* M-LINE	F	1-293469-6
2	E	BLACK	PIN HOUSING FREE HANGING VERSION NECTOR* M-LINE	F	1-293469-5
2	D	BLACK	PIN HOUSING FREE HANGING VERSION NECTOR* M-LINE	F	1-293469-4
2	C	BLACK	PIN HOUSING FREE HANGING VERSION NECTOR* M-LINE	G	1-293469-3
2	B	BLACK	PIN HOUSING FREE HANGING VERSION NECTOR* M-LINE	G	1-293469-2
2	A	BLACK	PIN HOUSING FREE HANGING VERSION NECTOR* M-LINE	G	1-293469-1
1	F	NATURAL	PIN HOUSING FREE HANGING VERSION NECTOR* M-LINE	F	0-293469-6
1	E	NATURAL	PIN HOUSING FREE HANGING VERSION NECTOR* M-LINE	F	0-293469-5
1	D	NATURAL	PIN HOUSING FREE HANGING VERSION NECTOR* M-LINE	F	0-293469-4
1	C	NATURAL	PIN HOUSING FREE HANGING VERSION NECTOR* M-LINE	G	0-293469-3
1	B	NATURAL	PIN HOUSING FREE HANGING VERSION NECTOR* M-LINE	G	0-293469-2
1	A	NATURAL	PIN HOUSING FREE HANGING VERSION NECTOR* M-LINE	G	0-293469-1

THIS DRAWING IS A CONTROLLED DOCUMENT.

DIMENSIONS: mm	TOLERANCES UNLESS OTHERWISE SPECIFIED:	DWN M. ZUCCA 06OCT2009	TE Connectivity PIN HOUSING FREE HANGING NECTOR* M-LINE 3 POSITIONS UNSEALED VERSION
	0 PLC ± 1 PLC ±0.3 2 PLC ±0.20 3 PLC ± 4 PLC ± ANGLES ±3°	CHK M. ZUCCA 06OCT2009	
MATERIAL SEE NOTES	FINISH -	APVD G. TURCO 06OCT2009	
		PRODUCT SPEC 108-20304	
		APPLICATION SPEC 114-20152	NAME
		WEIGHT NOTE 3	SIZE CAGE CODE DRAWING NO RESTRICTED TO
		Customer Drawing	A300779 C-293469
			SCALE 2:1 SHEET 2 OF 2 REV G2