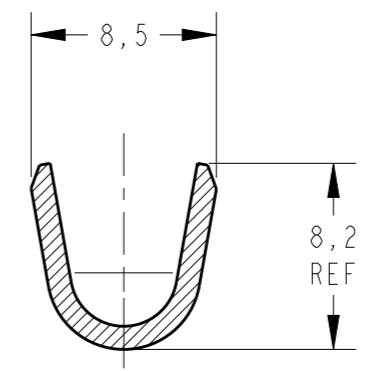
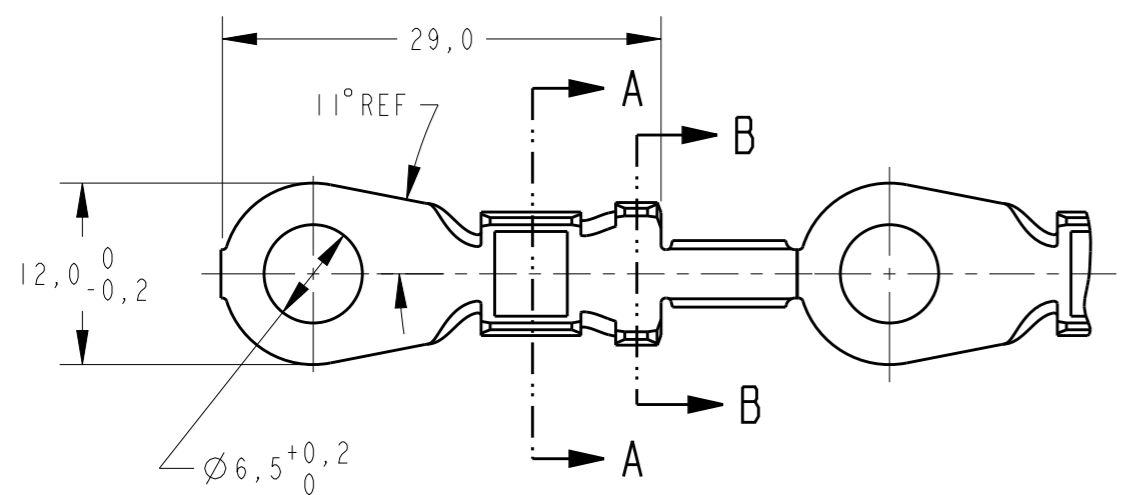


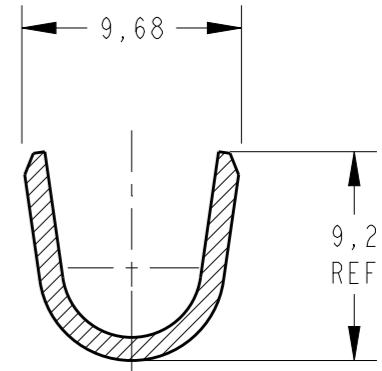
THIS DRAWING IS UNPUBLISHED. RELEASED FOR PUBLICATION 20
 © COPYRIGHT 20 BY - ALL RIGHTS RESERVED.

LOC	DIST	REVISIONS				
P	LTR	DESCRIPTION	DATE	DWN	APVD	
AP	-					
B2		REDRAW BY CAD ECO-14-002488	19FEB2014	NCL	GB	
C		REVISED DRAWING ECO-14-013530	08SEP2014	NCL	LWP	

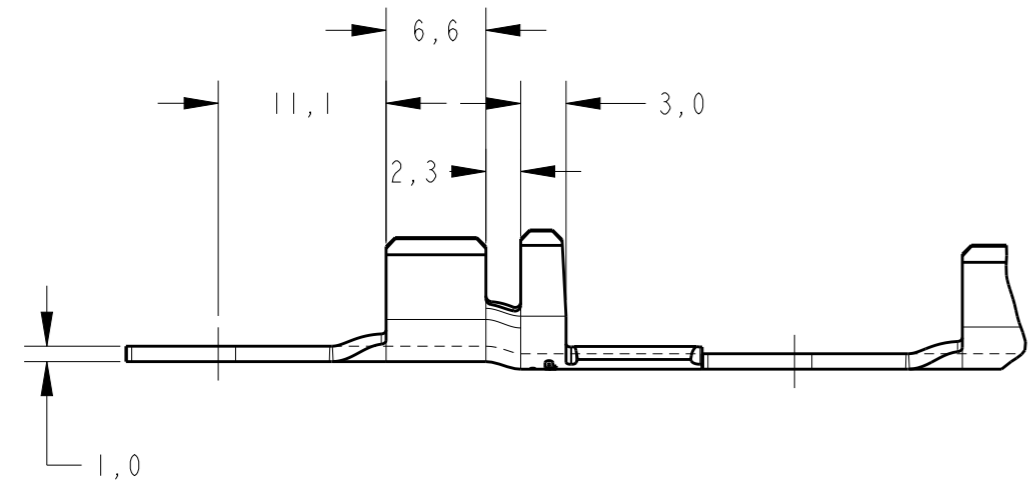
creo
 Creo Parametric 2.0
**DO NOT REUSE
 EXCEPT BY CAD**



SECTION A-A
 SCALE 3:1



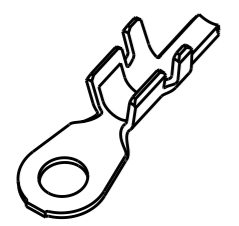
SECTION B-B
 SCALE 3:1



1 - BOBINAR COM PAPEL INTERCALADO
 - REELING WITH PAPER INTERLEAVE

2 - OBSOLETE PARTS: OBSOLETE CIS STREAMLINING PER D.RENAUD/D.SINISI

2 OBSOLETE	INSUL RANGE	WIRE RANGE	FINISH	MATERIAL	PART NO
	Ø 4,6-6,6mm	6,0-10,0mm ²	ESTANHADO / TIN PLATED	LATÃO / BRASS	881016-3
	Ø 4,6-6,6mm	6,0-10,0mm ²	ESTANHADO / TIN PLATED	LATÃO / BRASS	881016-2
	Ø 4,6-6,6mm	6,0-10,0mm ²	—	LATÃO / BRASS	881016-1



PERSPECTIVE VIEW
 SCALE 1:1

THIS DRAWING IS A CONTROLLED DOCUMENT.		DWN 20FEB2014 NCLAPRESA	TE Connectivity		
DIMENSIONS: mm		CHK 20FEB2014 JRGOLDSCHMIDT			
TOLERANCES UNLESS OTHERWISE SPECIFIED:		APVD 20FEB2014 DAOLIVEIRA	NAME - RING TONGUE		
0 PLC ±-		PRODUCT SPEC	SIZE CAGE CODE DRAWING NO RESTRICTED TO		
1 PLC ±0,3		APPLICATION SPEC	A3 00779 C-881016		
2 PLC ±-		WEIGHT	Customer Drawing SCALE 3:1 SHEET 1 OF 1 REV C		
3 PLC ±-					
4 PLC ±-					
ANGLES ±1°					
FINISH					
MATERIAL SEE TABLE					