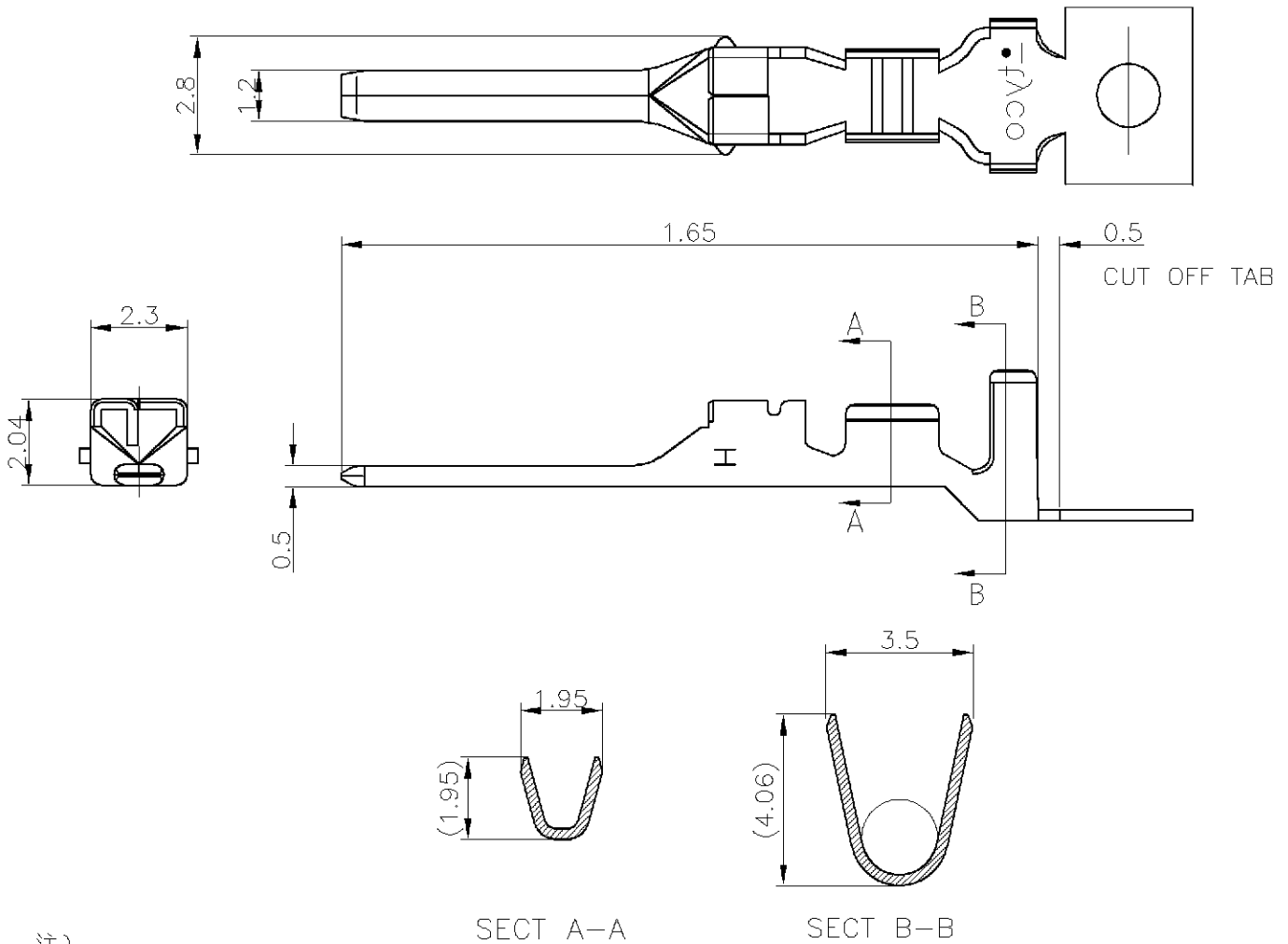


LOC J	DIST —	REVISIONS 変更			DATE	DWN	APVD
		P	LTR	DESCRIPTION			
			O	RELEASED FJ00-2828-01	30 MAY'02	A.O	M.S



注)  
 1.一般公差：±0.25  
 2.材料：錫めっき済 銅合金

NOTES)  
 1.GENERAL TOLERANCE: ±0.25  
 2.MATERIAL:PRE-TIN COPPER ALLOY

1612335-1
PART NUMBER

WIRE RANGE 抱合電線断面積 0.13-0.34mm <sup>2</sup> (AWG#22-26)	INSULATION DIA 被覆外径 ø1.3-2.0mm
---	--------------------------------------

DWN A.OISHI	30 MAY'02	MATERIAL 材料	SEE NOTE	FINISH 仕上	SEE NOTE
----------------	-----------	----------------	----------	--------------	----------

CHK M.SHINDO	30 MAY'02	<b>tyco</b> Tyco Electronics AMP K.K. <b>Electronics</b> Kawasaki, Japan			
APVD M.SHINDO	30 MAY'02				

PRODUCT SPEC 製品規格 108-5810	NAME 名称 GRACE INERTIA CONNECTOR 3.5 TAB CONTACT(M)
----------------------------------	---

APPLICATION SPEC 取付適用規格 114-5306	SIZE A4	CAGE CODE 00779	DRAWING NO 番号 C-1612335	RESTRICTED TO —
--	------------	--------------------	-------------------------------	--------------------

WEIGHT —	CUSTOMER DRAWING	SCALE 尺度 6:1	SHEET 1 OF 1	REV 0
-------------	------------------	--------------------	-----------------	----------

THIS DRAWING IS UNPUBLISHED.

ALL RIGHTS RESERVED.

BY TYCO ELECTRONICS CORPORATION.

RELEASED FOR PUBLICATION

DIMENSIONS: 単位：特 MM	
TOLERANCES UNLESS OTHERWISE SPECIFIED: 一般公差	
0 PLC	± -
1 PLC	± -
2 PLC	± -
3 PLC	± -
4 PLC	± -
ANGLES	± -

