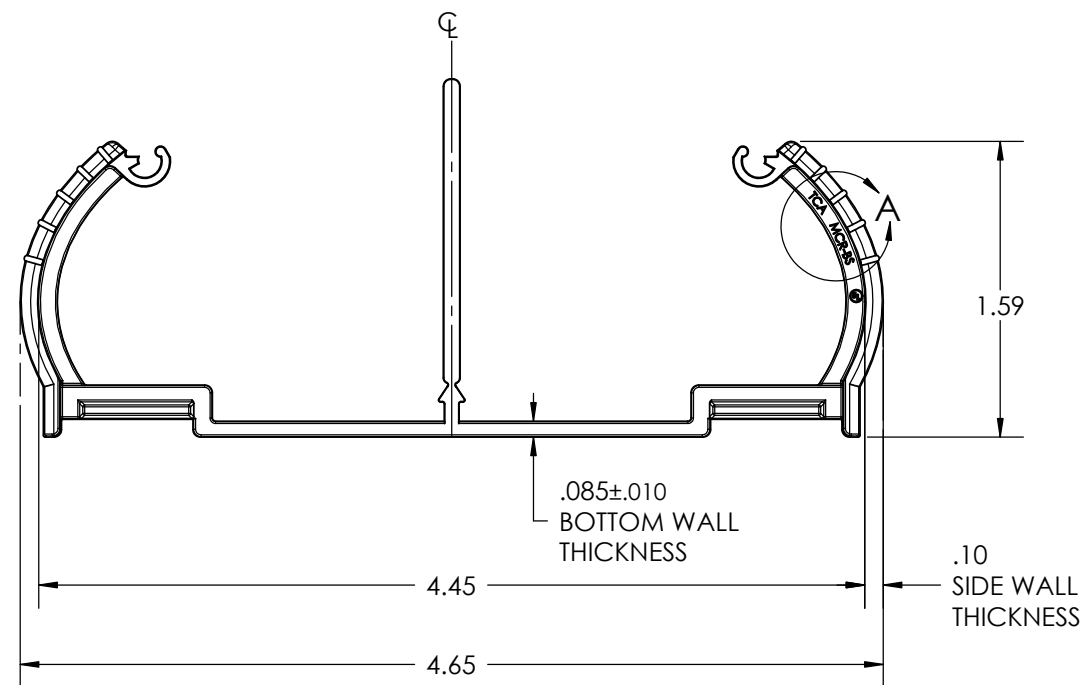
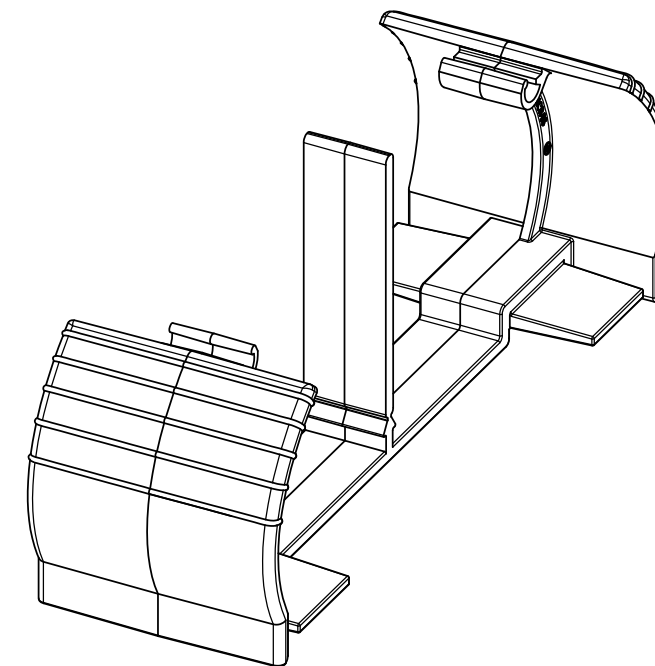


DETAIL A  
SCALE 3:1



PART NO. DESCRIPTION

MCR\_-BS  
 COLOR: CONTACT FACTORY  
 FOR AVAILABLE COLORS.

I  
N  
V  
E  
N  
T  
O  
R  
S

**HellermannTyton®**

ALL PROPRIETARY RIGHTS IN THE SUBJECT MATTER SHOWN ON THIS DRAWING ARE EXCLUSIVE PROPERTY OF HELLERMANNITYTON

name	date	city	state

N  
O  
T  
E  
S

1. THIS PART ACCEPTS (2) MCR RACEWAYS
2. ALL DUPLICATE FIGURES ARE SYMETRICAL ABOUT ϕ

R  
E  
V  
I  
S  
I  
O  
N

level	02
by	AAC
date	06/23/2006
ECN #	010451
part level	B

D  
I  
M  
E  
N  
S  
I  
O  
N  
S

.XXXX = ±.0005
.XXX = ±.005
.XX = ±.01
.X = ±.03
∠ = ±0.5°
unless otherwise specified
units inches

P  
A  
R  
T

number	MCR_-BS	phase	Production
name MULTI-CHANNEL RACEWAY STRAIGHT SPLICE BASE			
material	HIPS HIGH IMPACT POLYSTYRENE		

D  
R  
A  
W  
I  
N  
G

format	B	CAD	SW 2006	scale	1:1
version N					
computer file number	DT2013113CST_02		previous number		
drawn	MEF	checked	KAC	approved	
date	12/02/1998	date	06/23/2006		
type	Customer	sheet 1 of 1			
number	DT2013113CST				