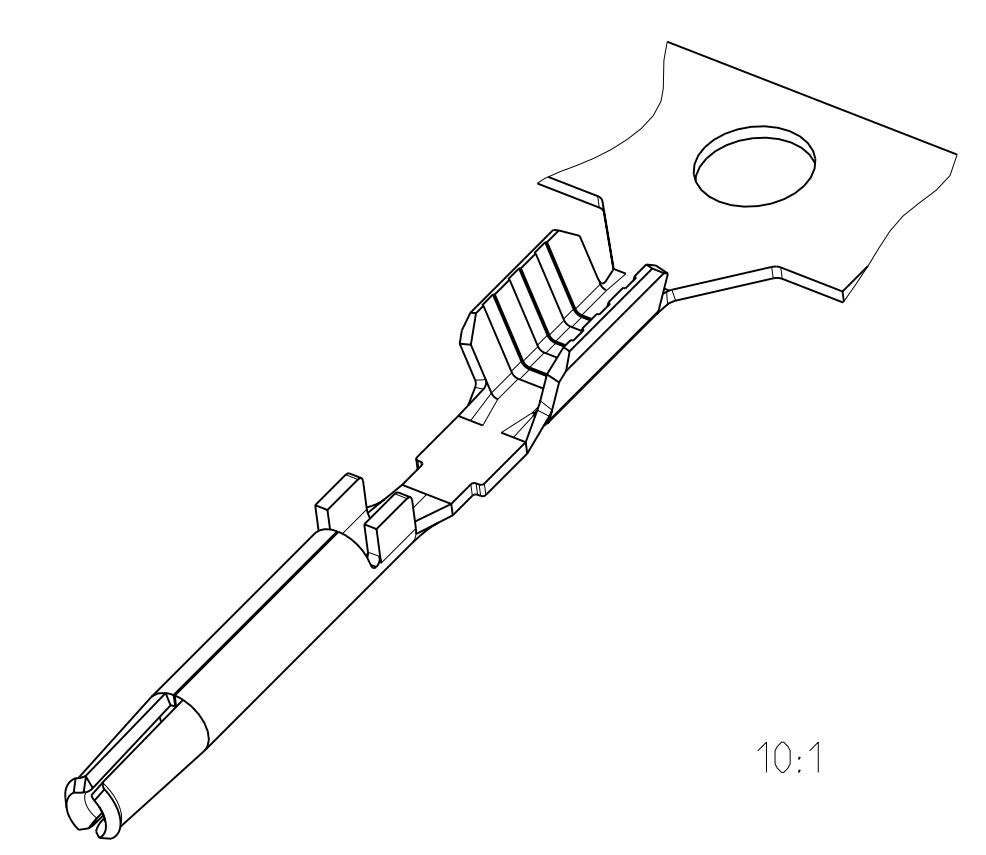
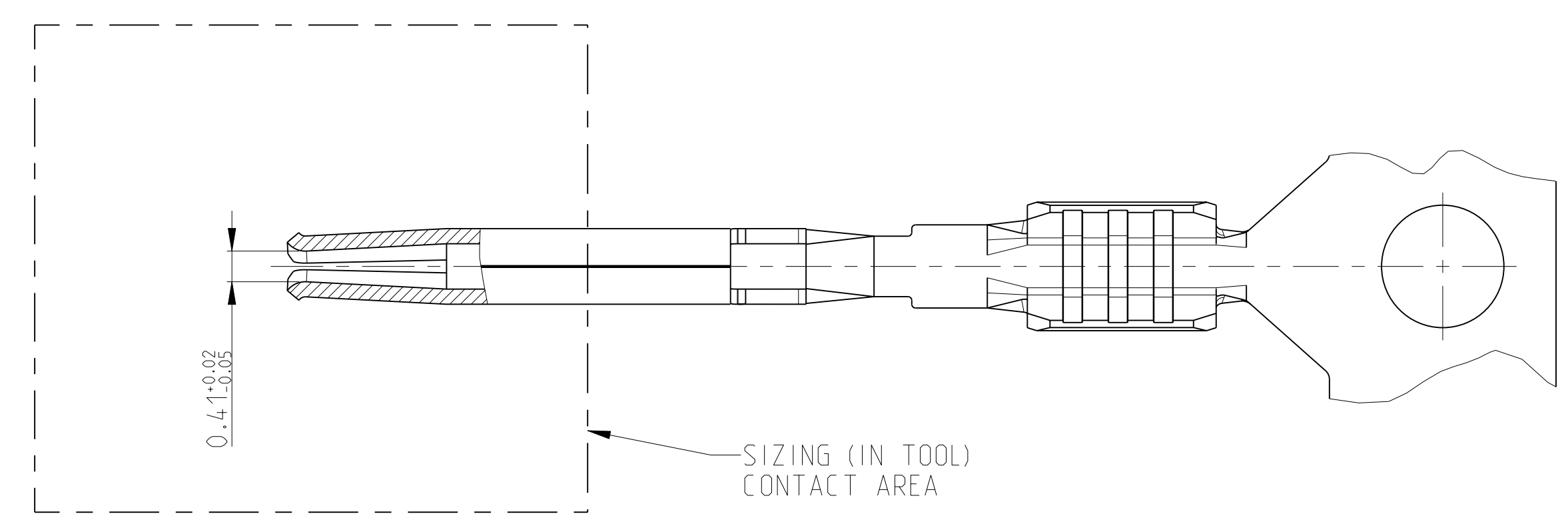
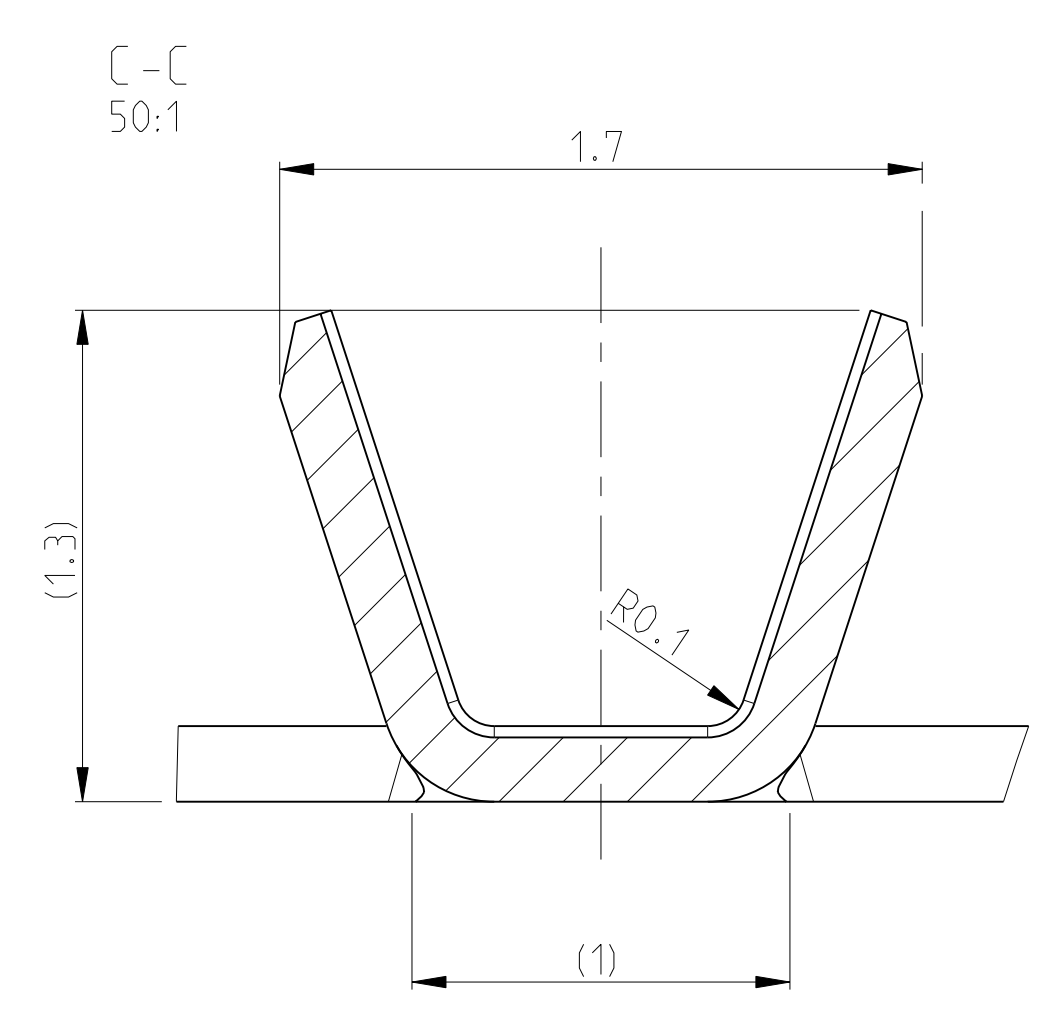
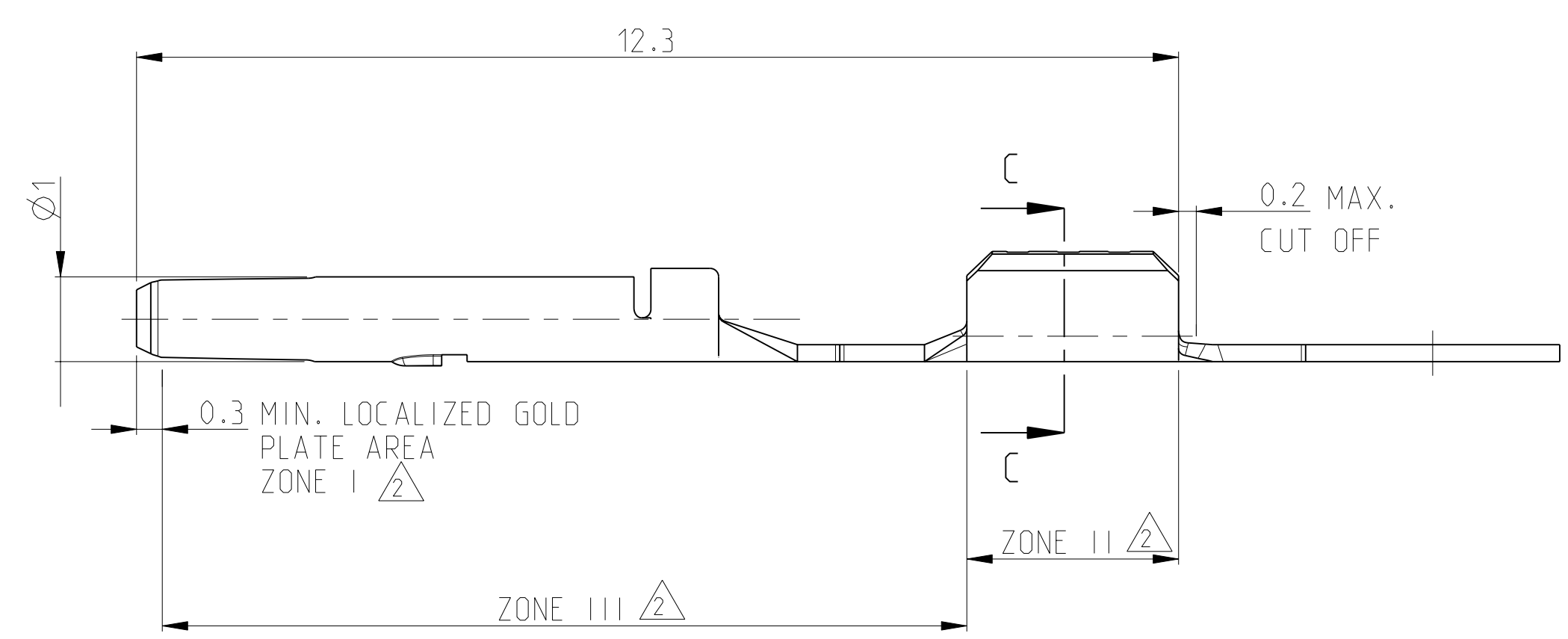
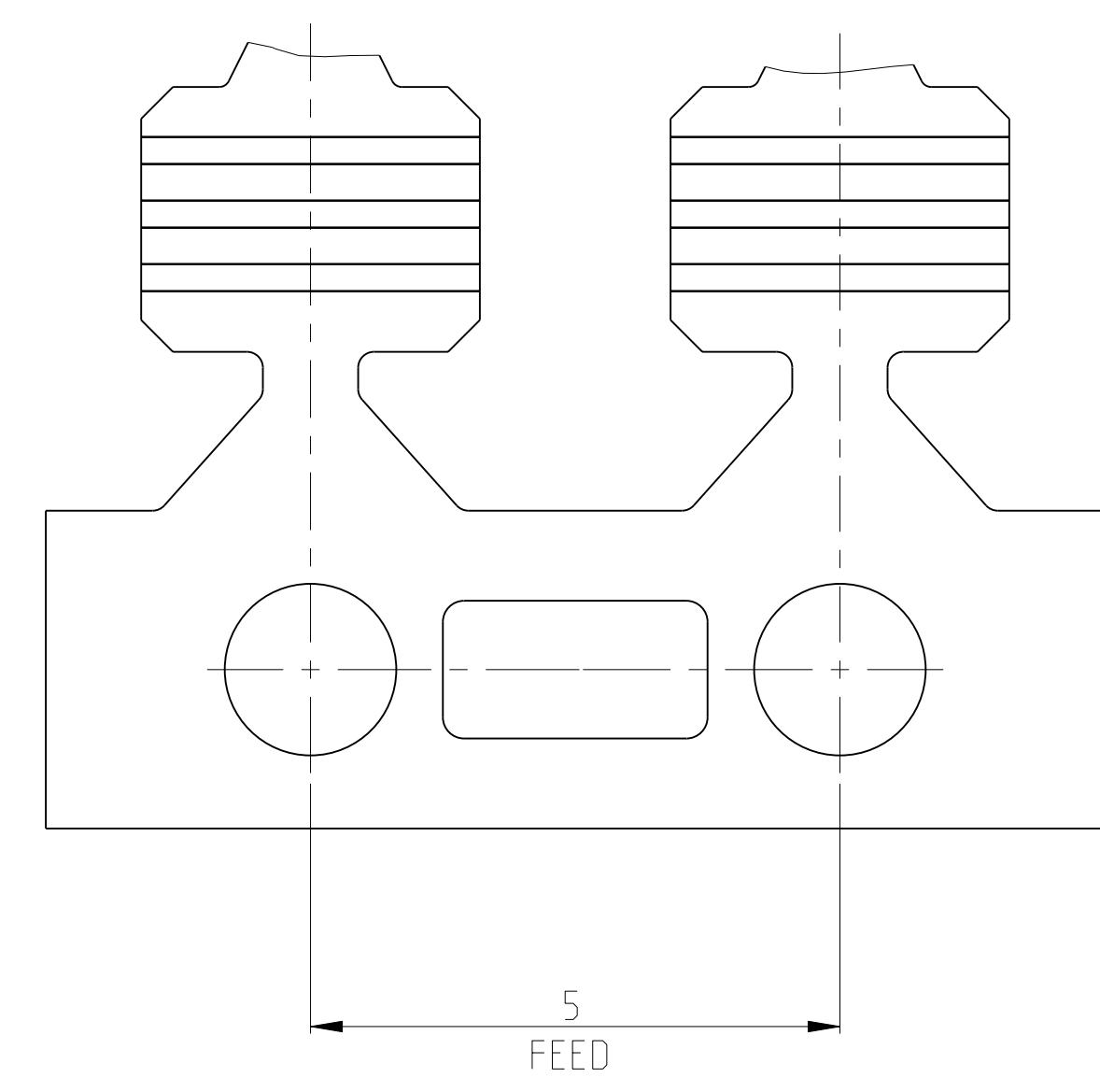
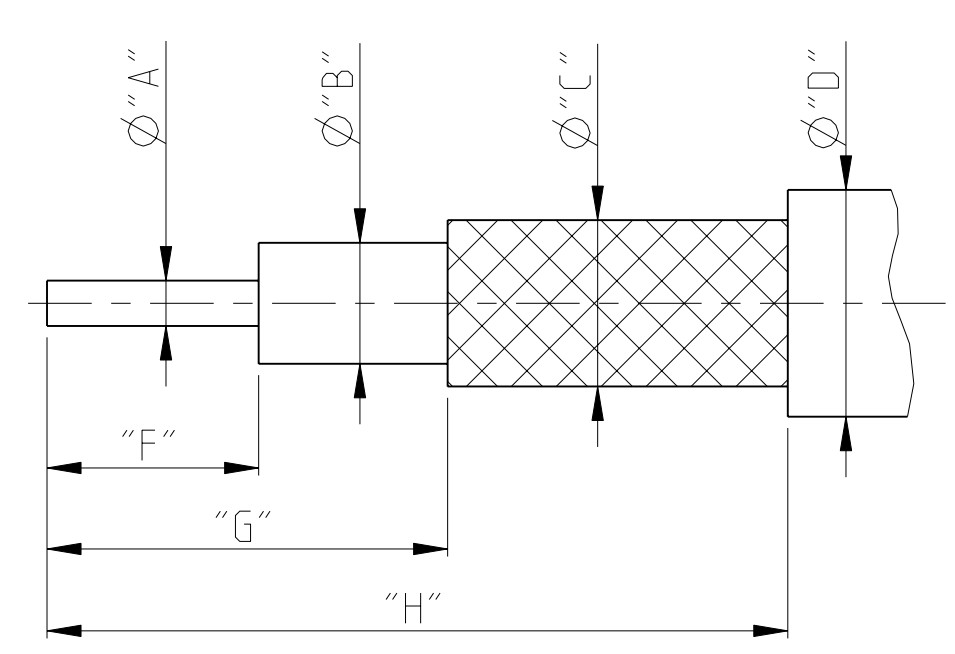


LOC	DIST	REVISIONS			
P	LTR	DESCRIPTION	DATE	DWN	APVD
A		NEW DRAWING	03JUN2011	LF	VC

- NOTES
- 1 CuNiSi
 - 2 ZONE I: 0.8 µm MIN. Au OVER 1.27 µm MIN. Ni
 ZONE II: 2-4 µm Sn OVER 0.1 µm MIN. Ni
 ZONE III: 0.1 µm MIN. Ni



RECOMMENDED STRIP DIMENSIONS



0-1530251-6	9.8 ^{+0.2} _{-0.3}	5.3 ^{+0.2} _{-0.3}	2.8 ^{+0.2} _{-0.3}	Ø3.0 nom.	Ø2.2 nom.	Ø1.6 nom.	Ø0.6 nom.	1.5DS	2112465-1
APPLICATOR TE PN	"H"	"G"	"F"	Ø "D"	Ø "C"	Ø "B"	Ø "A"	APPLICABLE CABLE	TE PART NUMBER

THIS DRAWING IS A CONTROLLED DOCUMENT.

DIMENSIONS:	TOLERANCES UNLESS OTHERWISE SPECIFIED:	DWN	01JUN2011	TE Connectivity	
mm	9 PLC ±	CHK	02JUN2011		
	1 PLC ±0.1	APVD	03JUN2011		
	2 PLC ±0.1	NAME			
	3 PLC ±	PRODUCT SPEC		CENTER CONTACT, PLUG	
	4 PLC ±	APPLICATION SPEC		HF FAKRA, 90 DEG. 1.5DS CABLE	
MATERIAL	FINISH	SIZE	CAGE CODE	DRAWING NO.	RESTRICTED TO
		A1	00779	C=2112465	
CUSTOMER DRAWING		SCALE	15:1	SHEET	1 OF 1
		REV	A		