

High Frequency Ceramic Solutions

Preliminary

Impedance-Matched Highly Integrated Ceramic Passive Component for Atheros Qualcomm AR6004 Chipset

P/N 2450PC14A0017

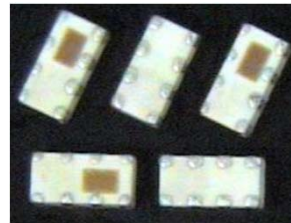
Detail Specification: 08/07/12

Page 1 of 3

General Specifications

Part Number	2450PC14A0017	
Frequency	2400 ~ 2500	5150 ~ 5850
Insertion Loss	3.8 dB max.	2.6 dB max.
Unbalanced Impedance	50 Ω	50 Ω
Balanced Impedance	Conjugate match to AR6004 _Rx BGA	
Phase Diff. (degree)	180±15	-135+/-20 @ 5.15GHz 165+/-20 @ 5.85GHz
Amp. Diff.	-1.5 +/- 2.0	0+/-2 @ 5.15GHz -4.0+/-2 @ 5.85GHz

Reel Quantity	4,000
Operating Temperature	-40 to +85°C
Recommended Storage Conditions	+5 ~ +35°C, Humidity: 45~75%RH, 18 mos. Max
Power Capacity	2W max.

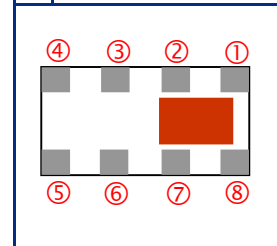
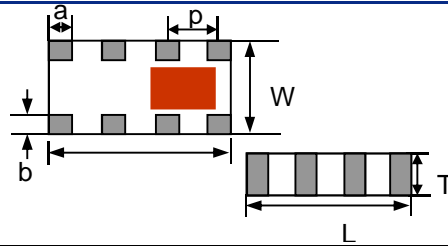


Terminal Configuration

No.	Function
1	GND
2	Rx5
3	GND
4	Rx2
5	Rx2_a
6	Rx2_b
7	Rx5_a
8	Rx5_b

Mechanical Dimensions

	In	mm
L	0.063 ± 0.004	1.60 ± 0.10
W	0.031 ± 0.004	0.80 ± 0.10
T	0.039 max.	0.7 max.
a	0.008 +.004/-0.006	0.20 +0.1/-0.05
b	0.006 +.004/-0.006	0.15 +0.1/-0.05
p	0.020 ± 0.004	0.50 ± 0.10



Mounting Considerations

* Line width should be designed to provide 50 ohm impedance, depending on PCB material and thickness

Units: mm

Johanson Technology, Inc. reserves the right to make design changes without notice.
All sales are subject to Johanson Technology, Inc. terms and conditions.



www.johansontechnology.com

4001 Calle Tecate • Camarillo, CA 93012 • TEL 805.389.1166 FAX 805.389.1821

2012 Johanson Technology, Inc. All Rights Reserved

High Frequency Ceramic Solutions

Preliminary

Impedance-Matched Highly Integrated Ceramic Passive
Component for Atheros Qualcomm AR6004 Chipset

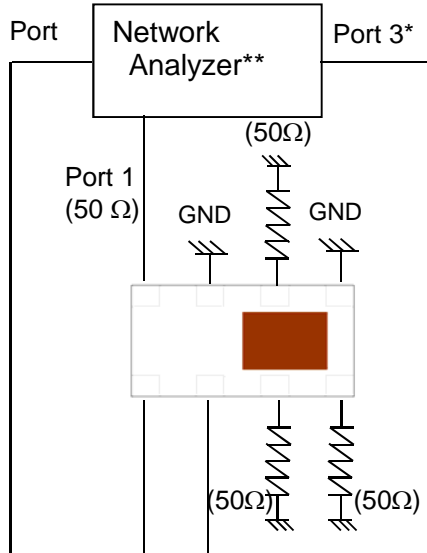
P/N 2450PC14A0017

Detail Specification: 08/07/12

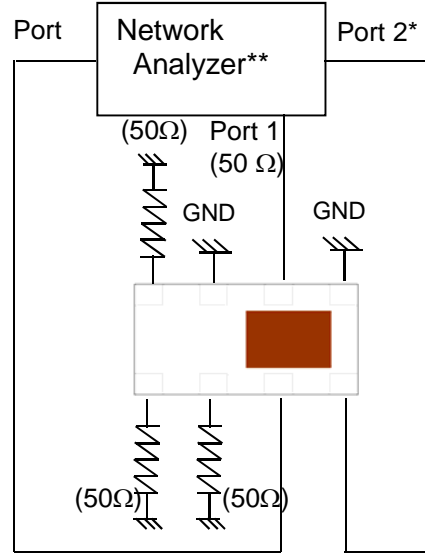
Page 2 of 3

Circuit Application

Rx2



Rx5



Port 1: Unbalanced Port
Ports 2 and 3: Balanced Port
 $IL = S_{ds21}$
 $RL = S_{ss11}$
 $Amp_balance = dB(S(2,1)/S(3,1))$
 $Phase_balance = Phase(S(2,1)/S(3,1))$

*Impedance for ports 2 and 3 = Conjugate to Balanced Impedance/2

**E5071B / C from Agilent

Johanson Technology, Inc. reserves the right to make design changes without notice.

All sales are subject to Johanson Technology, Inc. terms and conditions.



www.johansontechnology.com

4001 Calle Tecate • Camarillo, CA 93012 • TEL 805.389.1166 FAX 805.389.1821

2012 Johanson Technology, Inc. All Rights Reserved

High Frequency Ceramic Solutions

Preliminary

Impedance-Matched Highly Integrated Ceramic Passive
Component for Atheros Qualcomm AR6004 Chipset

P/N 2450PC14A0017

Detail Specification: 08/07/12

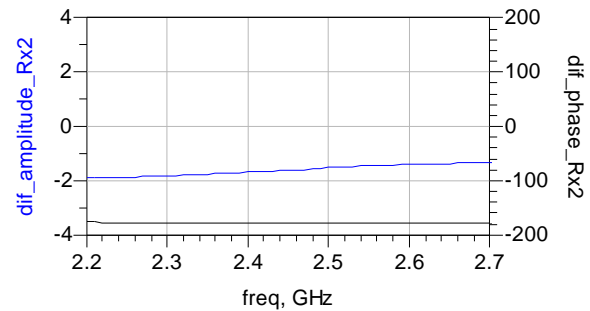
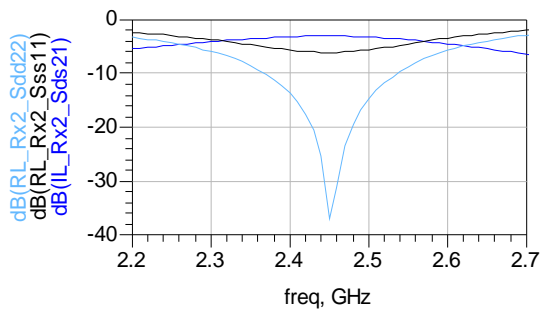
Page 3 of 3

Typical Electrical Performance (T=25°C)

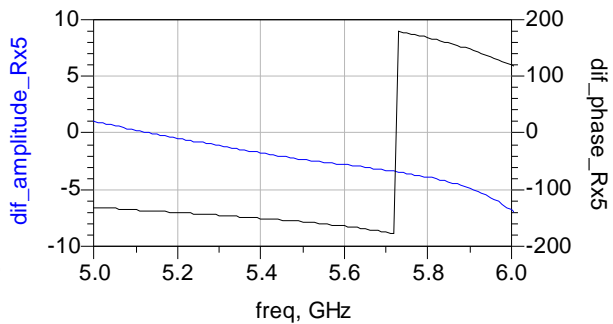
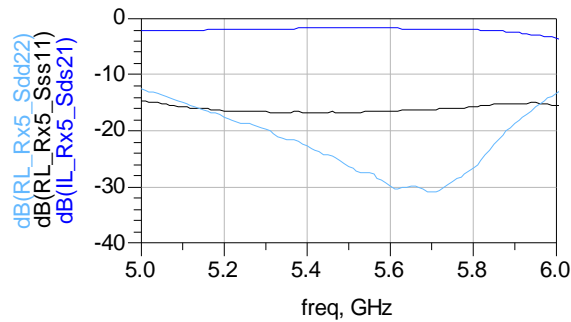
Insertion & Return Loss

Amplitude & Phase Balance

2.4GHz Band Path



5GHz Band Path



Johanson Technology, Inc. reserves the right to make design changes without notice.
All sales are subject to Johanson Technology, Inc. terms and conditions.



4001 Calle Tecate • Camarillo, CA 93012 • TEL 805.389.1166 FAX 805.389.1821

www.johansontechnology.com

2012 Johanson Technology, Inc. All Rights Reserved