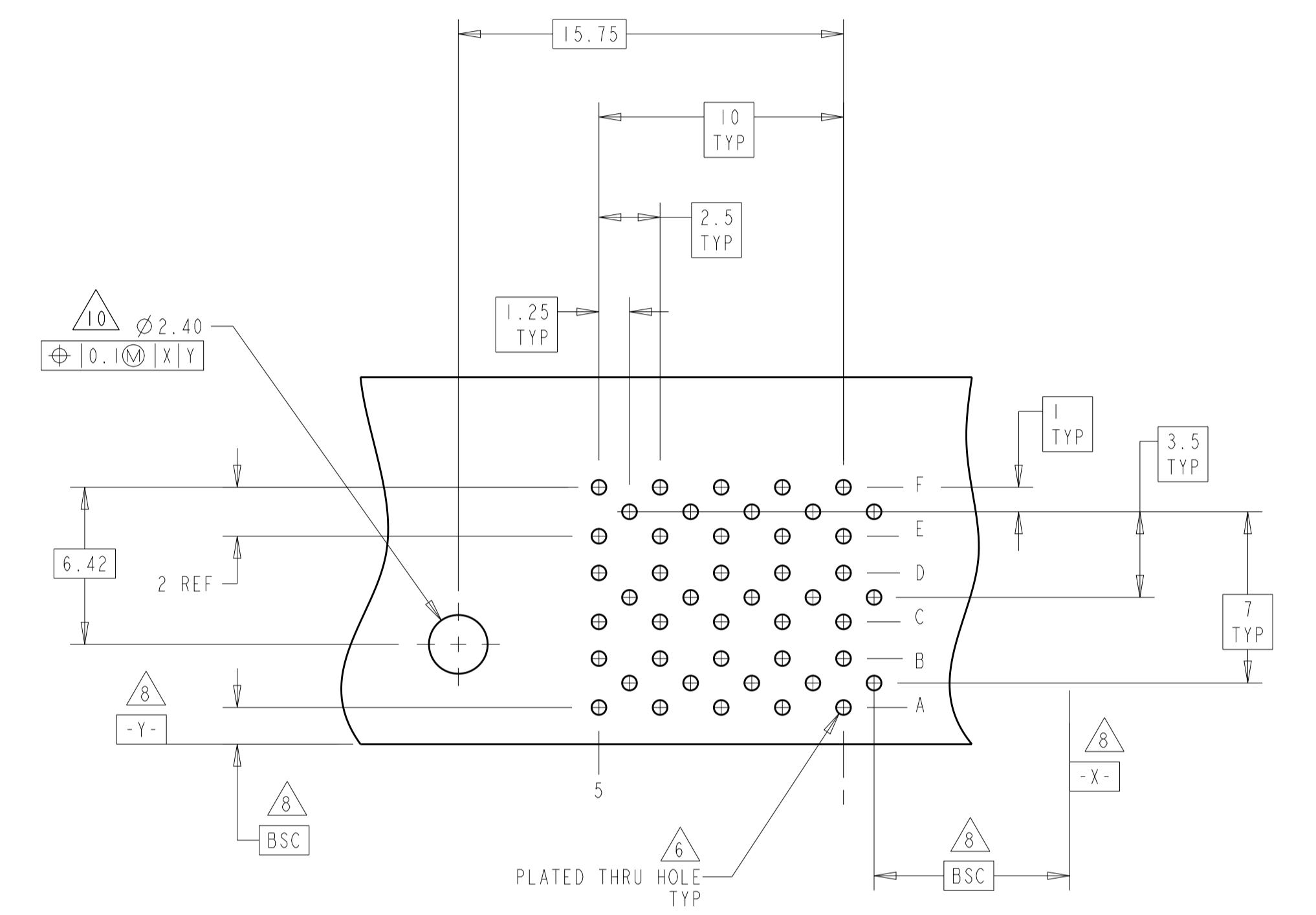
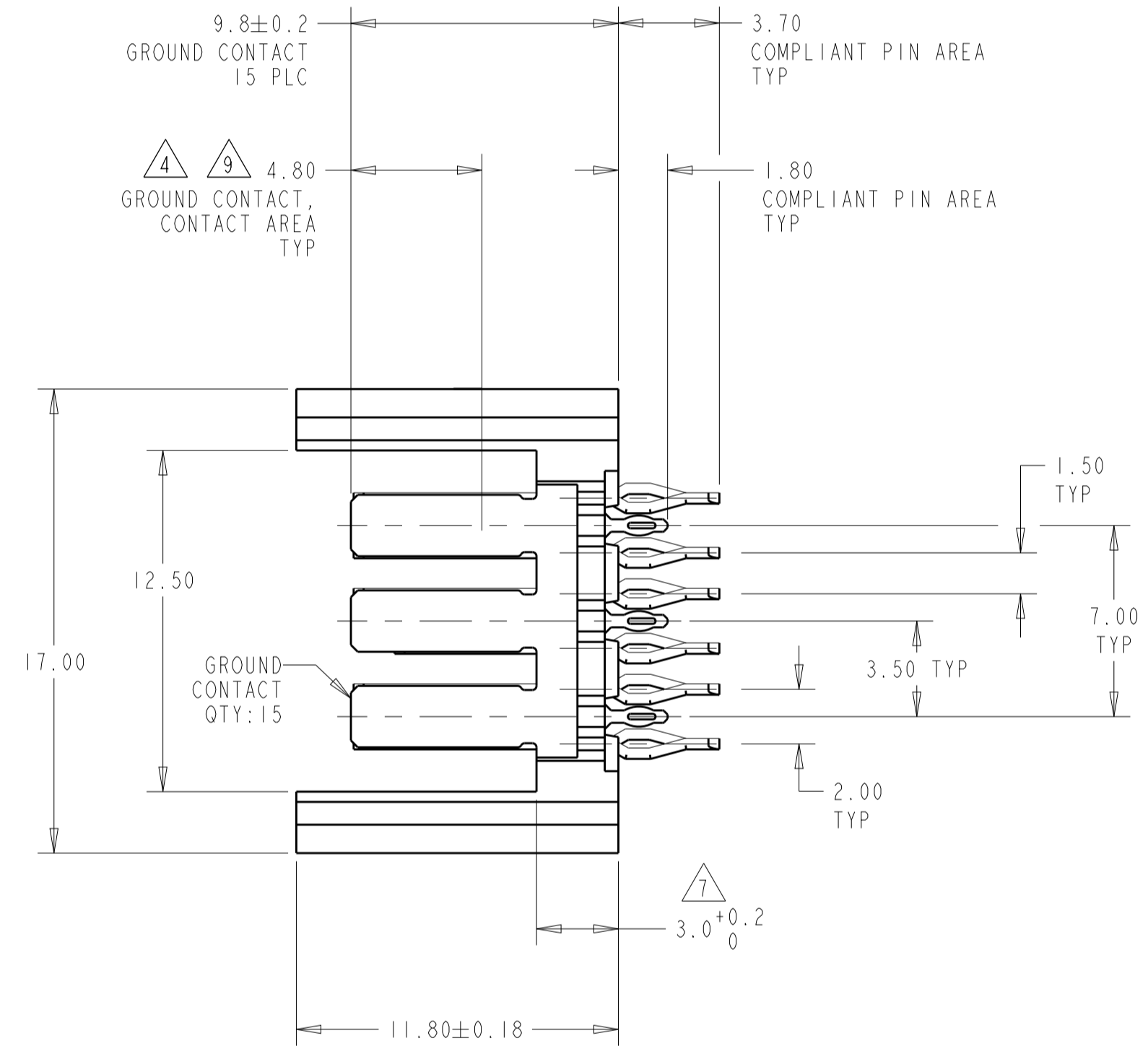
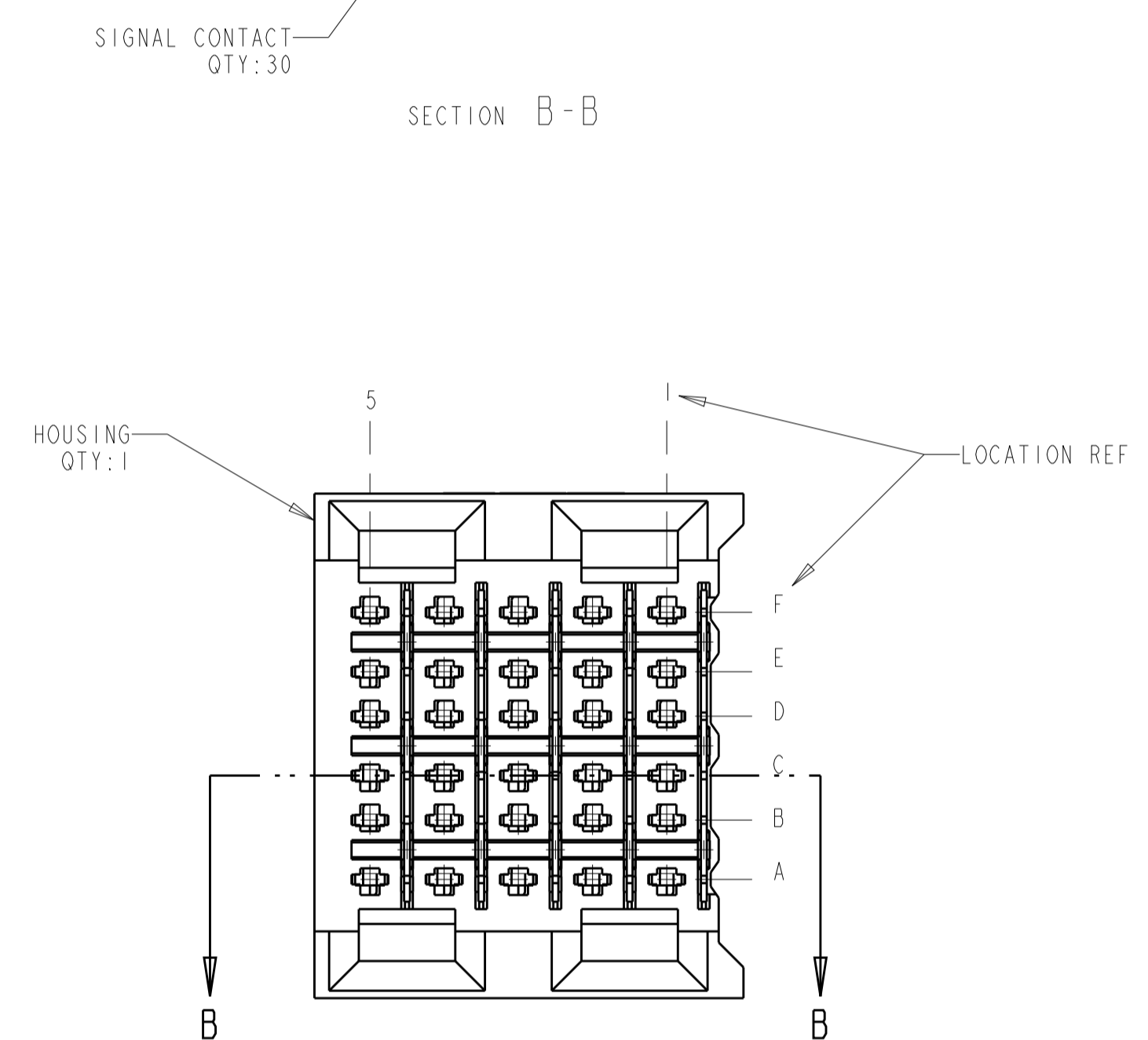
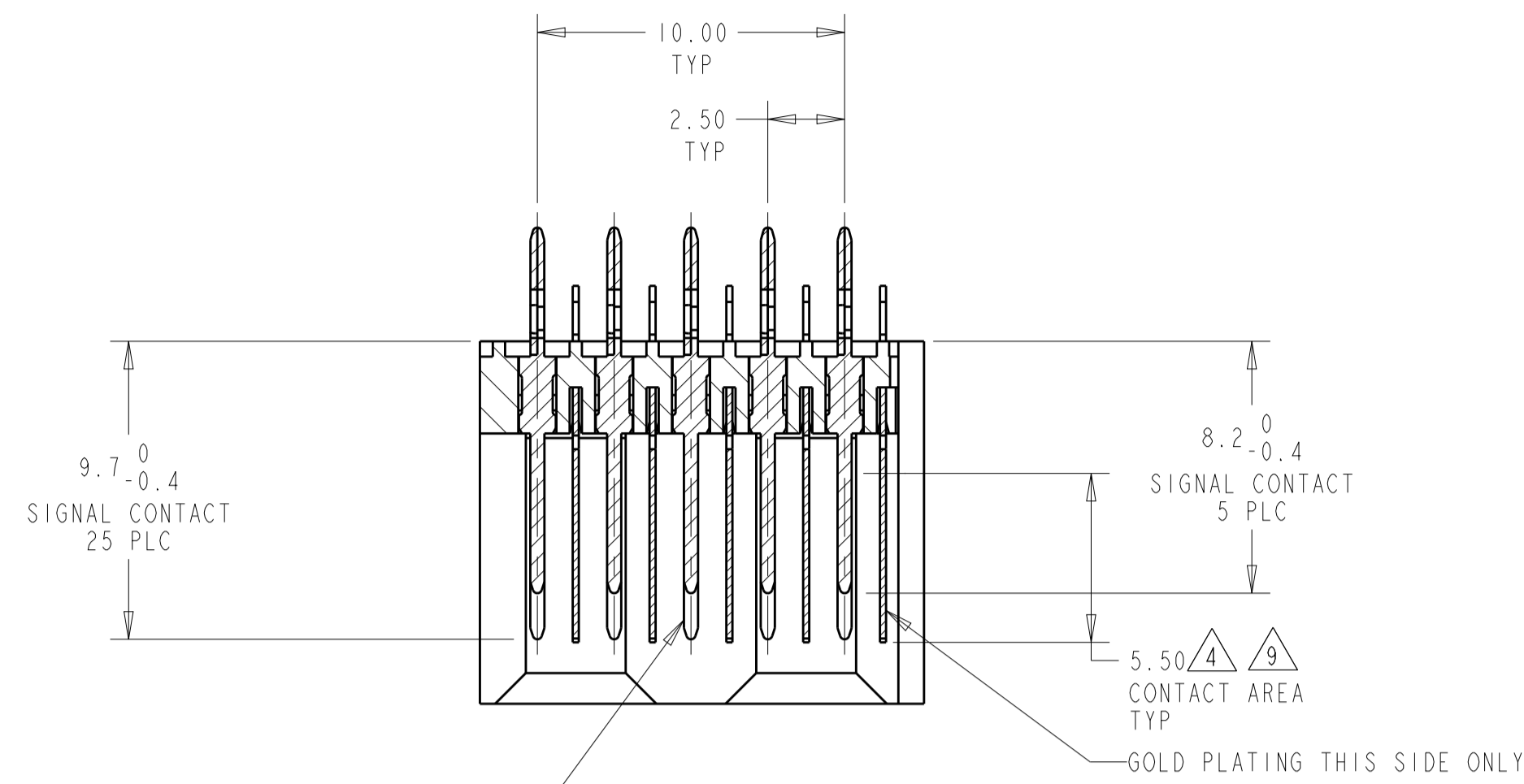
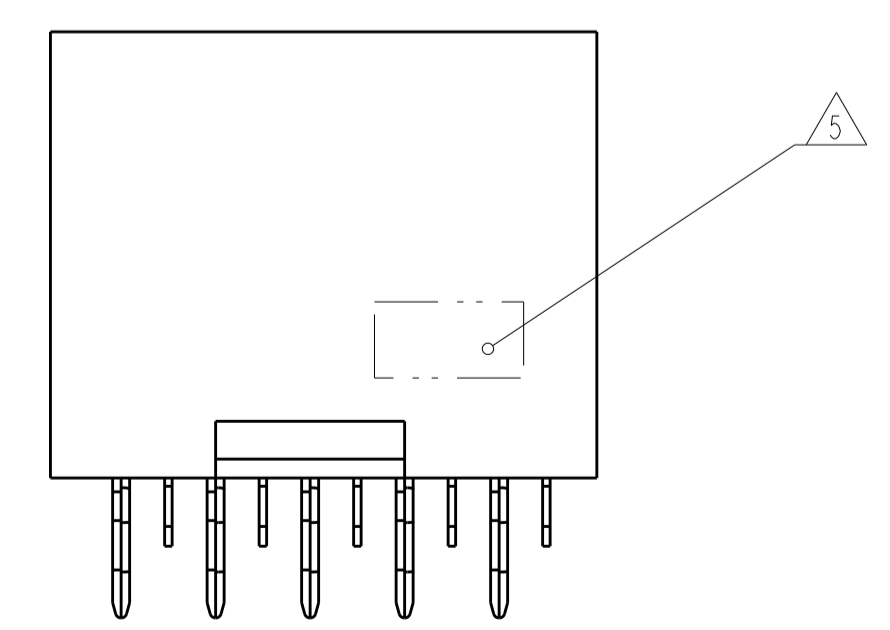


LOC	DIST	REV	DATE	BY	CHKD	APVD
AD	00	B	23AUG2012	KH		JE

- 2 PHOSPHOR BRONZE
- 3 GLASS FILLED POLYESTER
- 4 FINISH:
CONTACT MATING AREA MEETS THE PERFORMANCE REQUIREMENTS OF
TE CONNECTIVITY PRODUCT SPECIFICATION 108-1957; BASED ON
TELCORDIA GR-1217-CORE; APPLICATIONS IN UNCONTROLLED ENVIRONMENTS.
COMPLIANT PIN AREA: 0.5µm MIN MATTE TIN OVER BASE PLATING.
- 5 CONNECTOR MARKED WITH PART NUMBER AND DATE CODE.
- 6 REFERENCE APPLICATION SPEC 114-13020 FOR
RECOMMENDED PLATED THRU HOLE DIAMETER AND
PLATING THICKNESS.
- 7 APPLICATION SEATING HEIGHT TO PRINTED CIRCUIT BOARD.
- 8 DATUMS AND BASIC DIMENSIONS ESTABLISHED BY CUSTOMER.
- 9 CONTACT AREA LUBRICATED WITH BELLCORE APPROVED LUBRICANT.
TECHNICAL REFERENCE: GR-1217-CORE, ISSUE 1, NOVEMBER 1995.
- 10 HOLE DIAMETER SHOULD BE 3.10 WHEN USING FEED THROUGH GUIDE PIN P/N 120759.
CLEARANCE FOR M3x0.5 THREAD.



RECOMMENDED
PRINTED CIRCUIT BOARD
LAYOUT
COMPONENT SIDE OF PRINTED CIRCUIT BOARD



ROWS A,B,D,E,F	ROW C	5120839-1
SIGNAL CONTACT TYPE B QTY: 25 9.7 LENGTH REF	SIGNAL CONTACT TYPE A QTY: 5 8.2 LENGTH REF	PART NUMBER

THIS DRAWING IS A CONTROLLED DOCUMENT.		DWN B. CARBO	09DEC04	TE Connectivity NAME: HEADER ASSEMBLY, 30 POSITION, SEQUENCED, RIGHT HAND, 6 ROW, Z-PACK HS3			
DIMENSIONS:		CHK R. PATTERSON	09DEC04				
TOLERANCES UNLESS OTHERWISE SPECIFIED:		APVD R. PATTERSON	09DEC04				
mm		PRODUCT SPEC	APPLICATION SPEC				
0 PLC ± 2 PLC ±0.13 3 PLC ±0.05 4 PLC ± ANGLES ±		WEIGHT		SIZE: A1	CAGE CODE: 00779	DRAWING NO: 5120839	RESTRICTED TO:
MATERIAL		CUSTOMER DRAWING		SCALE: 5:1	SHEET: 1	OF: 1	REV: B