

THIS DRAWING IS UNPUBLISHED. RELEASED FOR PUBLICATION
 © COPYRIGHT copyright_dBTe- ALL RIGHTS RESERVED.

REVISIONS				
P	LTR	DESCRIPTION	DATE	APVD
B		ECR-16-010100 UPDATE NAME	14JUL2016	L.Z X.X

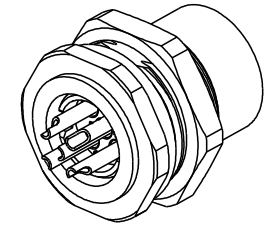
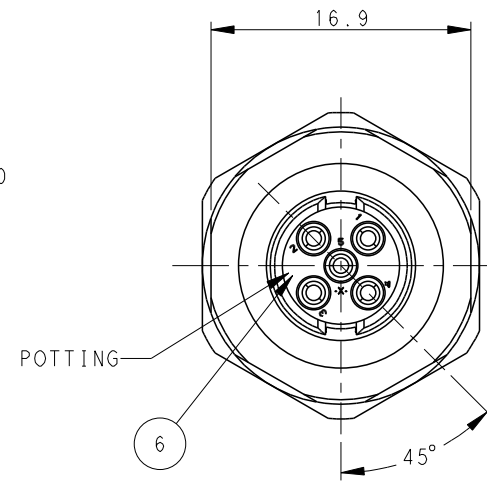
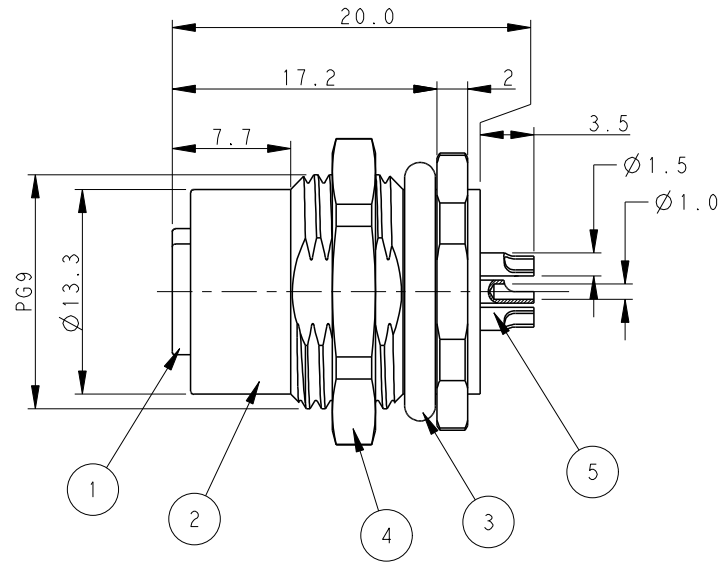
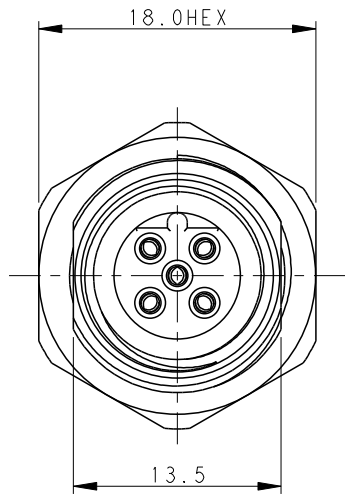


TABLE 1

TECHNICAL DATA	T4131412021-000	T4131412031-000	T4131412041-000	T4131412051-000
RATED VOLTAGE	250V	250V	250V	250V
RATED CURRENT	4A	4A	4A	4A
POLLUTION DEGREE	3	3	3	3
OVERVOLTAGE CATEGORY	II	II	II	II
MATERIAL GROUP	II	II	II	II
CONTACT RESISTANCE	<=10mΩ	<=10mΩ	<=10mΩ	<=10mΩ
INSULATION RESISTANCE	>100MΩ	>100MΩ	>100MΩ	>100MΩ
DEGREE OF PROTECTION	IP67	IP67	IP67	IP67
OPERATION TEMPERATURE	-30~85°C	-30~85°C	-30~85°C	-30~85°C

- NOTE:
1. TECHNICAL DATA: SEE TABLE 1
 2. RECOMMENDED MOUNT PANEL SEE DETAIL
 3. PRODUCT COMPLIES WITH IEC61076-2-101
 4. PLASTIC INERT MATERIAL:UL LISTED WITH UL94V0 FLAME RATING
 5. ALL MATERIALS TO BE ROHS COMPLIANT
 6. ALL MATERIALS TO BE REACH COMPLIANT
 7. PN INFORMATION FOR ASSEMBLY PARTS

- 注释:
- 1: 技术参数, 见表1
 - 2: 推荐开孔尺寸详见如图所示
 - 3: 产品符合标准IEC61076-2-101
 - 4: 塑胶材料符合UL标准, UL-94V0阻燃等级
 - 5: 所有材料符合ROHS参照标准TEC-138-705
 - 6: 所有材料符合REACH参照标准TEC-138-705
 - 7: 成品料号信息如下:

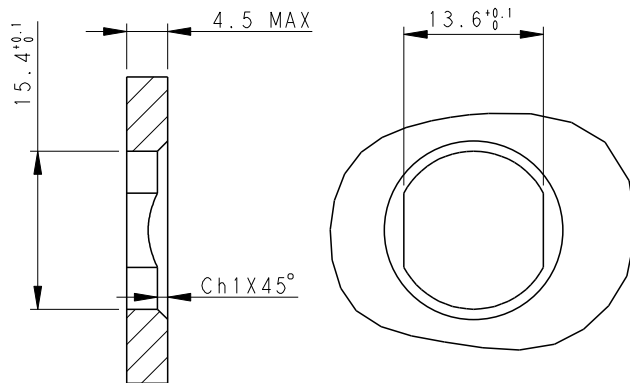
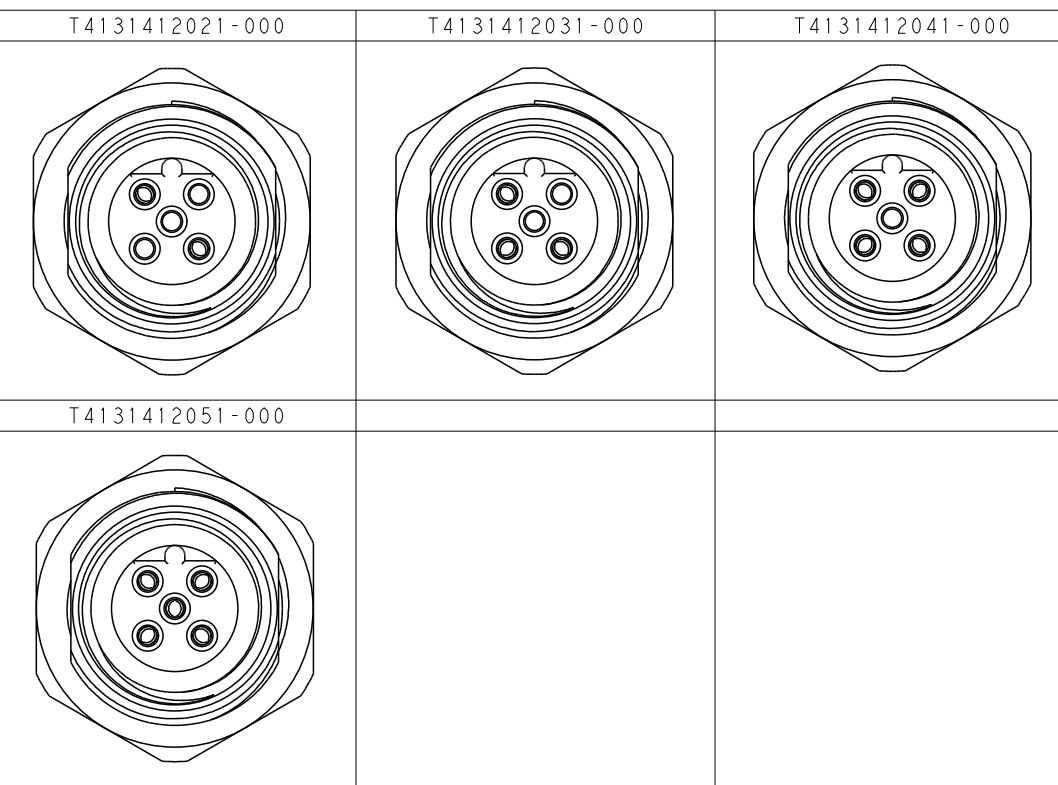
T41314120X1-000

- CONTACT FINISH:
 1: GOLD 3u''
 NUMBER OF PINS:
 02: 2 PINS
 03: 3 PINS
 04: 4 PINS
 05: 5 PINS

T41314120X1-000

- 端子电镀:
 1: 3u''金
 针数:
 02: 2 针
 03: 3 针
 04: 4 针
 05: 5 针

PIN ARRANGEMENT B-CODE



RECOMMENDED PANEL CUTOUT

TE PN	TYPE
T4131412021-000	RPC-M12B-FF-2CON-PG9-LAU
T4131412031-000	RPC-M12B-FF-3CON-PG9-LAU
T4131412041-000	RPC-M12B-FF-4CON-PG9-LAU
T4131412051-000	RPC-M12B-FF-5CON-PG9-LAU

PLATING	MATERIAL	DESCRIPTION	ITEM
3u'' GOLD MIN.	COPPER ALLOY	POTTING ADHESIVE	6 1 1 1 1
200u'' NICKEL MIN.	COPPER ALLOY	CONTACT	5 2 3 4 5
200u'' NICKEL MIN.	COPPER ALLOY	METAL NUT	4 1 1 1 1
-	-	O-RING	3 1 1 1 1
200u'' NICKEL MIN.	COPPER ALLOY	M12, MALE, METAL BODY	2 1 1 1 1
-	PA66	M12, MALE HSG	1 1 1 1 1

THIS DRAWING IS A CONTROLLED DOCUMENT. DWN BO GAO 04FEB2016
 CHK KOBBOY ZHAO
 APVD XIANG XU
 PRODUCT SPEC 108-106140
 APPLICATION SPEC 114-137144
 MATERIAL -
 DIMENSIONS: mm
 TOLERANCES UNLESS OTHERWISE SPECIFIED:
 0 PLC ±0.2
 1 PLC ±0.2
 2 PLC ±0.2
 3 PLC ±0.2
 4 PLC ±0.2
 ANGLES ±
 FINISH -
 CUSTOMER DRAWING
 SCALE 3:1 SHEET 1 OF 1 REV B
 TE Connectivity
 M12 PANEL MOUNT CONNECTOR B CODE, FEMALE, REAR MOUNTING WIRE SOLDERING
 SIZE A2 CAGE CODE - DRAWING NO. C-T41314120X1000 RESTRICTED TO -