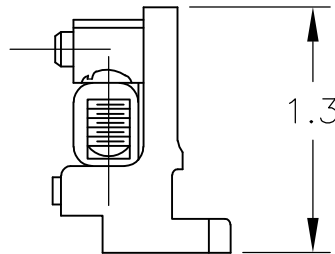
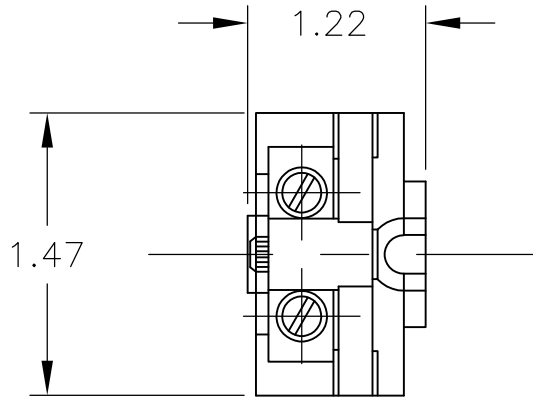


LOC	DIST	REVISIONS					
—	—	P	LTR	DESCRIPTION	DATE	DWN	APVD
			A1	REVISED PER ECO-11-005027	12MAR11	RK	HMR

△ 1 MATERIAL: PHENOLIC






RELEASED FOR PUBLICATION

ALL RIGHTS RESERVED.

THIS DRAWING IS UNPUBLISHED.

© COPYRIGHT — By —

DIMENSIONS: INCHES	DWN	29SEP08	MATERIAL	△ 1	FINISH	—
	CHK	29SEP08	 TE Connectivity			
TOLERANCES UNLESS OTHERWISE SPECIFIED:	MACE SAM	29SEP08				
0 PLC ± -	APVD	29SEP08	NAME TERMINAL BLOCK, HEAVY D			
1 PLC ± -	MACE SAM	29SEP08				
2 PLC ± -	PRODUCT SPEC	—	SIZE	CAGE CODE	DRAWING NO	RESTRICTED TO
3 PLC ± -	APPLICATION SPEC	—	A4	00779	C-3-1437390-3	—
4 PLC ± -	WEIGHT	—	CUSTOMER DRAWING			
ANGLES ± -			SCALE	1:1	SHEET	1 OF 1
 				REV	A1	