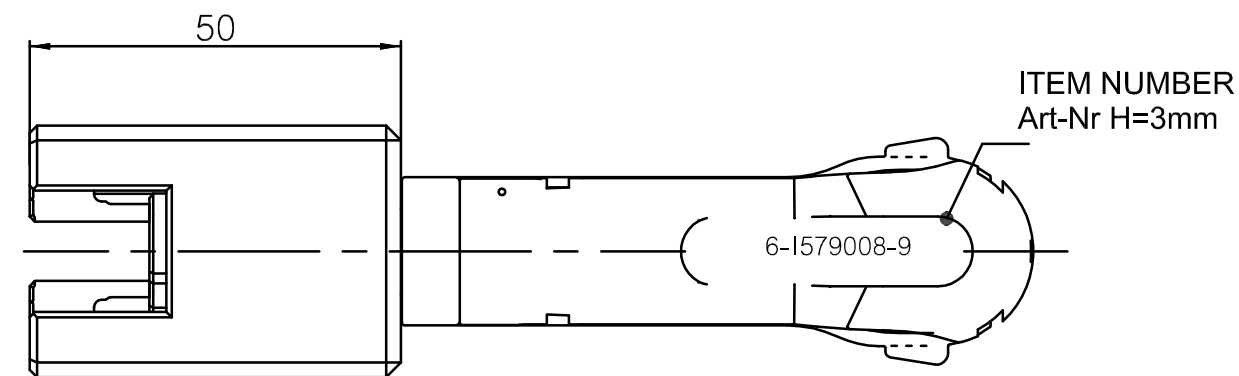
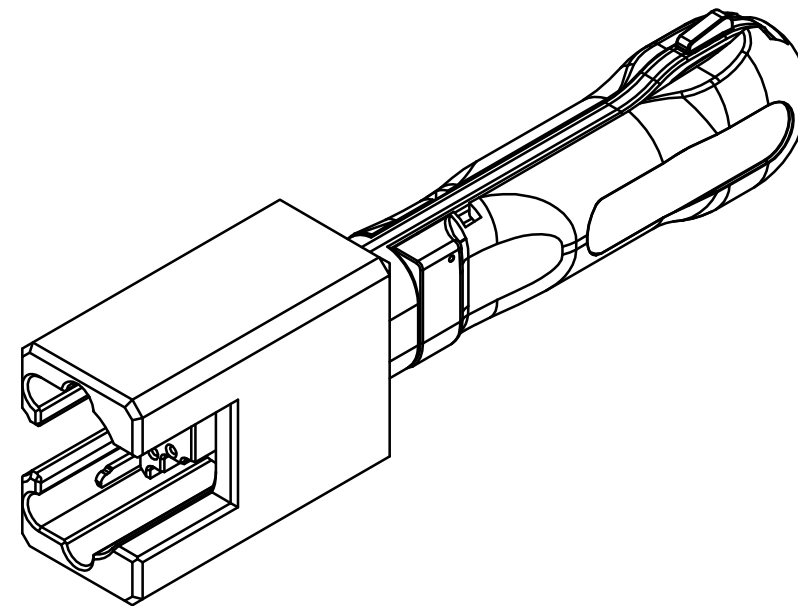
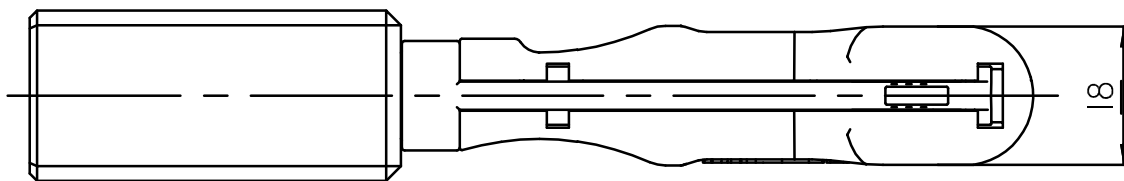
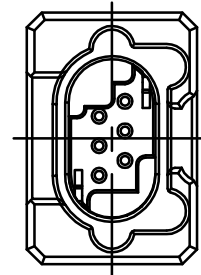
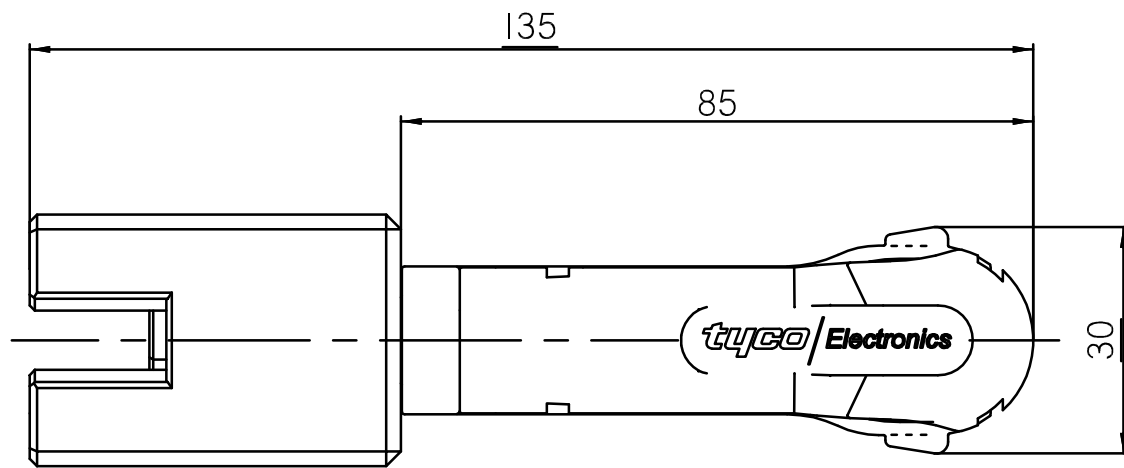



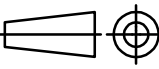
THIS DRAWING IS UNPUBLISHED. RELEASED FOR PUBLICATION  
 © COPYRIGHT - BY TYCO ELECTRONICS CORPORATION. ALL INTERNATIONAL RIGHTS RESERVED.

LOC		DIST		REVISIONS			
P	LTR	DESCRIPTION		DATE	DWN	APVD	
	B	ECR-13-013672		29AUG13	MG	LB	



**APPLICATION RANGE / Anwendungsbereich :**

**CONTACT MQS: 962885, 965908**  
**HOUSING 6 Pos. MQS: 967361, 967587**

THIS DRAWING IS A CONTROLLED DOCUMENT.		DWN S. Samstag	13MAY08	 TE Connectivity	NAME <b>LOCKING TOOL</b> Verriegelungswerkzeug
DIMENSIONS: mm		CHK S. Samstag	13MAY08		
TOLERANCES UNLESS OTHERWISE SPECIFIED:		APVD S. Samstag	13MAY08		
 MATERIAL		PRODUCT SPEC APPLICATION SPEC WEIGHT		SIZE A3	CAGE CODE C-6-1579008-9
0 PLC ± - 1 PLC ± - 2 PLC ± - 3 PLC ± - 4 PLC ± - ANGLES ± -		FINISH		DRAWING NO C-6-1579008-9	RESTRICTED TO -
CUSTOMER DRAWING				SCALE 1:1	SHEET 1 OF 1
				REV B	