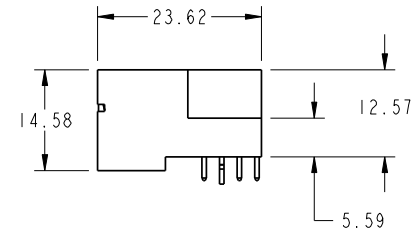
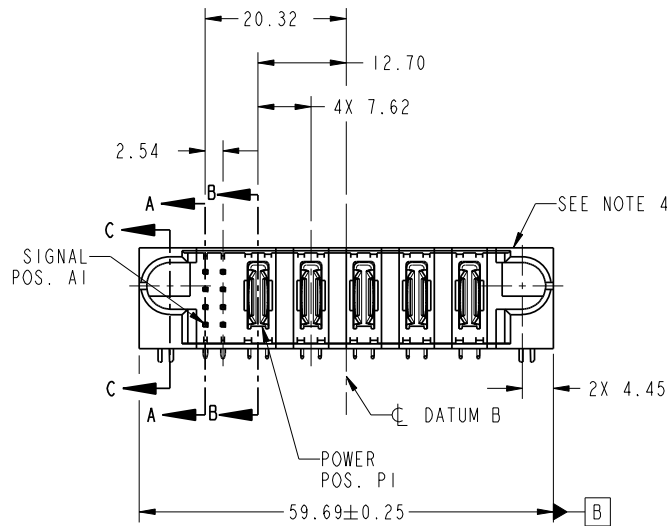


Tous droits strictement réservés. Reproduction ou communication o des liens interdite sous quelque forme que ce soit sans autorisation écrite du propriétaire. Propriete de c FCI. Droits de reproduction FCI.



All rights strictly reserved. Reproduction or issue to third parties in any form whatever is not permitted without written authority from the proprietor. Property of FCI. Copyright FCI.

| | | | | | | | | | | |
|-----------------------|------|--------|-----|-------|----|----|----|----|----|--|
| PRODUCT NO. | ROWS | SIGNAL | | POWER | | | | | | |
| | | E1 | 1 2 | P1 | P2 | P3 | P4 | P5 | E2 | |
| 51939-576-- NOTE 3 | DCBA | | | | | | | | | |



| CODE | DIM "M" MATING LENGTH | CONTACT TYPE |
|------|-----------------------|--------------|
| U | [6.86] | SIGNAL |
| T | [6.86] | SIGNAL |
| S | [6.86] | SIGNAL |
| R | [6.86] | SIGNAL |
| PA | [N/A] | POWER |
| HA | [N/A] | HOLD-DOWN |

| | | | | | | | | | | | |
|-------------|----------------|----|----------|----------|------------|---------------------------------------|--|----------------|--|--|--------|
| mat'l code | | | | SEE NOTE | | tolerances unless otherwise specified | | CUSTOMER | | FCI | |
| lfr | ecn no. | dr | date | linear | 0.X ±0.5 | projection | | COPY | | www.fciconnect.com | |
| A | DG11-0008 | HZ | 01/13/11 | angles | 0.XX ±0.25 | | | title | | 8S + 5ACP RIGHT ANGLE SOLDER HEADER | |
| | | | | dr | 0.XXX ±0.1 | MM | | product family | | PwrBlade | code |
| | | | | engr | 0° ±2° | scale | | size | | dwg no | 213 |
| | | | | chr | | 1:1 | | A | | 51939-576 | sheet |
| | | | | appd | | | | | | | 1 of 4 |
| sheet index | revision sheet | A | A | A | A | | | | | | |
| | | 1 | 2 | 3 | 4 | | | | | | |

Pro/E

cage code 22526

PDM: Rev:A

STATUS:Released

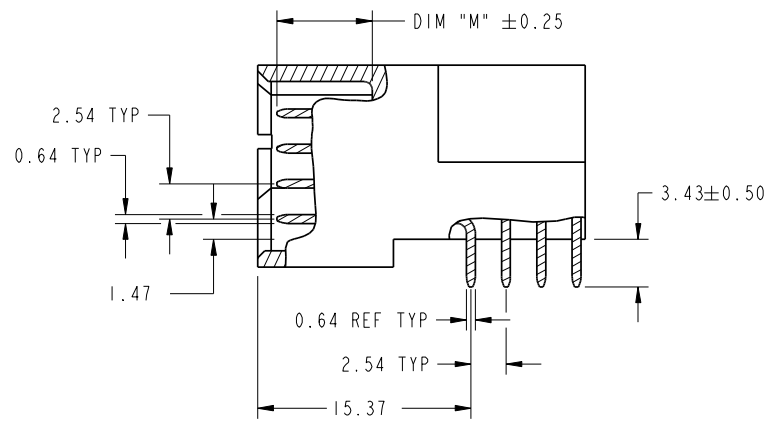
Printed: Jan 18, 2011

Tous droits strictement réservés. Reproduction ou communication o des liens interdite sous quelque forme que ce soit sans autorisation écrite du propriétaire. Propriete de c FCI. Droits de reproduction FCI.

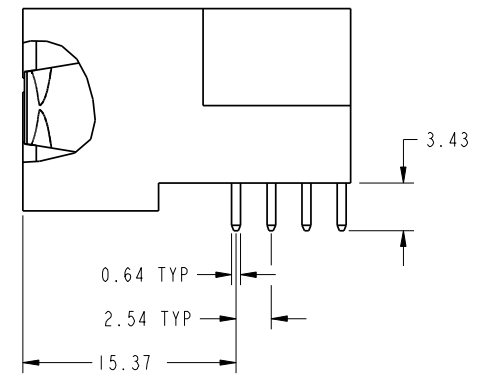
All rights strictly reserved. Reproduction or issue to third parties in any form whatever is not permitted without written authority from the proprietor. Property of FCI. Copyright FCI.



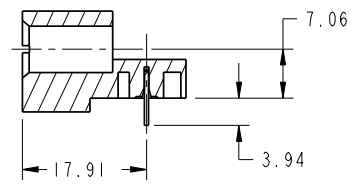
PRODUCT NUMBER
51939-576
NOTE: 3



BROKEN-OUT SECTION A-A
SCALE 2:1



BROKEN-OUT SECTION B-B
SCALE 2:1



SECTION C-C

| | | | | | | | | | |
|-------------|----------------|----------|------|---------------------------------------|------------|------------|---------------------------|--------------------|--------|
| mat'l code | | SEE NOTE | | tolerances unless otherwise specified | | CUSTOMER | | FCI | |
| lfr | ecn no. | dr | date | linear | 0.X ±0.5 | COPY | | www.fciconnect.com | |
| A | | | | angles | 0.XX ±0.25 | projection | title | | |
| | | | | dr | 0.XXX ±0.1 | | 8S + 5ACP | | |
| | | | | engr | 0° ±2° | MM | RIGHT ANGLE SOLDER HEADER | | |
| | | | | chr | | scale | product family | PwrBlade | code |
| | | | | appd | | 1:1 | A | 51939-576 | 213 |
| sheet index | revision sheet | | | | | | size | dwg no | sheet |
| | | | | | | | A | 51939-576 | 2 of 4 |

Pro/E

cage code 22526

PDM: Rev:A

STATUS:Released

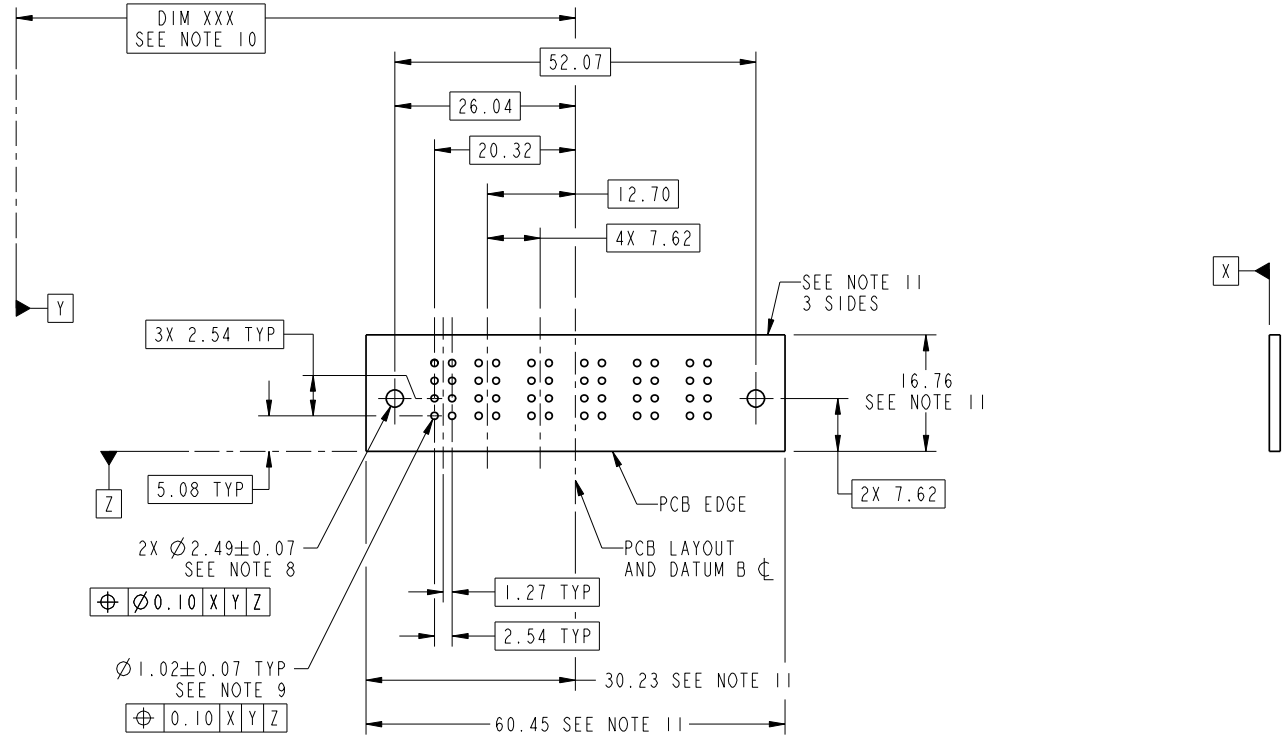
Printed: Jan 18, 2011

Tous droits strictement réservés. Reproduction ou communication o des liens interdite sous quelque forme que ce soit sans autorisation écrite du propriétaire. Propriete de c FCI. Droits de reproduction FCI.



All rights strictly reserved. Reproduction or issue to third parties in any form whatever is not permitted without written authority from the proprietor. Property of FCI. Copyright FCI.

PRODUCT NUMBER
51939-576...
NOTE: 3



RECOMMENDED PCB LAYOUT

| | | | | | | | | | |
|-------------|----------------|----------|------|---------------------------------------|------------|------------|---------------------------|--------------------|--------------|
| mat'l code | | SEE NOTE | | tolerances unless otherwise specified | | CUSTOMER | | FCI | |
| lfr | ecn no. | dr | date | linear | 0.X ±0.5 | COPY | | www.fciconnect.com | |
| A | | | | angles | 0.XX ±0.25 | projection | title | | |
| | | | | dr | 0.XXX ±0.1 | | 8S + 5ACP | | |
| | | | | engr | 0° ±2° | MM | RIGHT ANGLE SOLDER HEADER | | |
| | | | | chr | | scale | product family | PwrBlade | code |
| | | | | appd | | 1:1 | size | dwg no | 213 |
| sheet index | revision sheet | | | | | | A | 51939-576 | sheet 3 of 4 |
| | | | | | | | | | |



www.fciconnect.com

MM

scale 1:1

product family PwrBlade code 213
size dwg no 51939-576 sheet 3 of 4

1 | 2

Pro/E

3 |

cage code 22526

4

PDM: Rev:A

STATUS:Released

Printed: Jan 18, 2011

Tous droits strictement réservés. Reproduction ou communication o des liens interdite sous quelque forme que ce soit sans autorisation écrite du propriétaire. Propriete de c FCI. Droits de reproduction FCI.



All rights strictly reserved. Reproduction or issue to third parties in any form whatever is not permitted without written authority from the proprietor. Property of FCI. Copyright FCI.

PRODUCT NUMBER
51939-576..
NOTE: 3

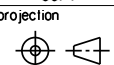
NOTES:

1. DIMENSIONS AND TOLERANCES ARE IN ACCORDANCE WITH ASME Y14.5M, 1994 UNLESS OTHERWISE SPECIFIED.

CONNECTOR NOTES:

- 2. HOUSING MATERIAL: UL 94 V-0 GLASS FILLED HIGH-TEMP THERMOPLASTIC
POWER CONTACT MATERIAL: COPPER ALLOY
SIGNAL PIN MATERIAL: COPPER ALLOY
 - 3. SEE ITEM 1 & 2 IN PRINT 10064183 FOR PLATING SPEC OF 51939-576 AND 51939-576LF RESPECTIVELY.
 - 4. MANUFACTURER'S NAME, DATE CODE AND OPTIONAL P/N TO APPEAR ON THIS SURFACE. THE P/N CAN BE OMITTED IF THERE IS NOT ENOUGH SPACE ON THIS SURFACE.
 - 5. PRODUCT SPECIFICATION GS-12-149.
APPLICATION SPECIFICATION BUS-20-067.
 - 6. PACKAGED IN TRAYS.
- PCB NOTES:
- 7. ALL HOLE DIAMETERS ARE FINISHED HOLE SIZE.
 - 8. MOUNTING HOLES, WHERE APPLICABLE, ARE UNPLATED.
 - 9. $\varnothing 1.151 \pm 0.025$ DRILLED HOLES PLATED WITH
0.008 MIN SnPb OR Sn OVER 0.03
TO 0.08 Cu PLATING TO ACHIEVE
 $\varnothing 1.02 \pm 0.07$ HOLE.
 - 10. "DIM XXX" TO BE DETERMINED BY THE CUSTOMER.
 - 11. CONNECTOR KEEP-OUT ZONE.

| | | | | | | | | | | | |
|-------------|----------------|----------|------|---------------------------------------|----------------------|----------|--|------------|--|--|--|
| mat'l code | | SEE NOTE | | tolerances unless otherwise specified | | CUSTOMER | | FCI | | www.fciconnect.com | |
| lfr | ecn no. | dr | date | linear | 0.X ± 0.5 | COPY | | projection | | title | |
| A | | | | | 0.XX ± 0.25 | | | | | 8S + 5ACP RIGHT ANGLE SOLDER HEADER | |
| | | | | angles | 0.XXX ± 0.1 | | | | | product family PwrBlade code | |
| | | | | dr | 0° ± 2° | | | size | | 213 | |
| | | | | engr | Helen Zhang 01/13/11 | scale | | A | | sheet | |
| | | | | chr | Anson Liu 01/13/11 | 1:1 | | 51939-576 | | 4 of 4 | |
| | | | | appd | PM ZHENG 01/13/11 | | | | | | |
| | | | | | JOSEPH HSIA 01/13/11 | | | | | | |
| sheet index | revision sheet | | | | | | | | | | |



1 | 2

3 |

4

A

A

B

B

1 | 2

3 |

4

Pro/E

cage code 22526

PDM: Rev:A

STATUS: Released

Printed: Jan 18, 2011