

4

3

2

1

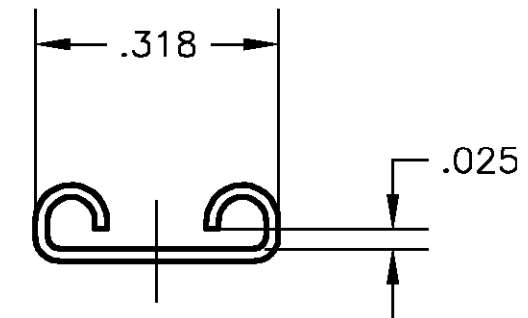
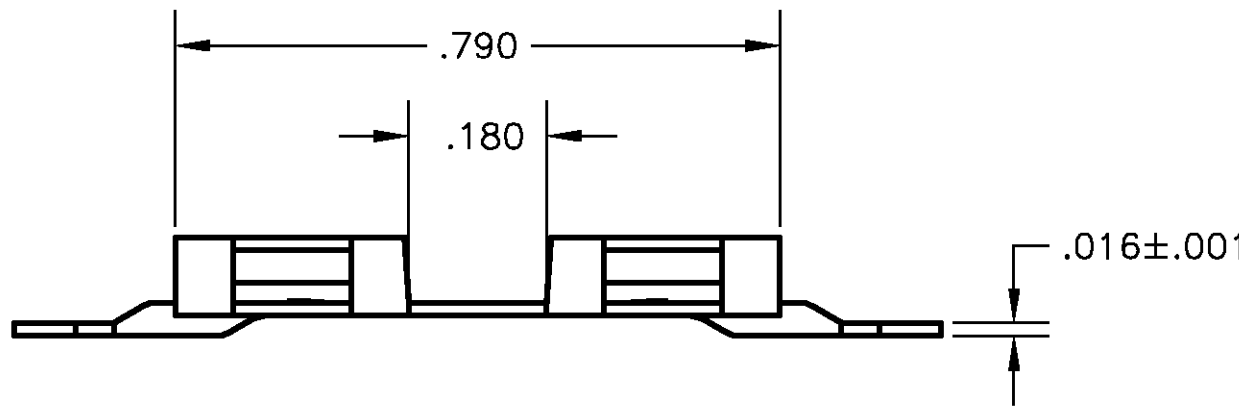
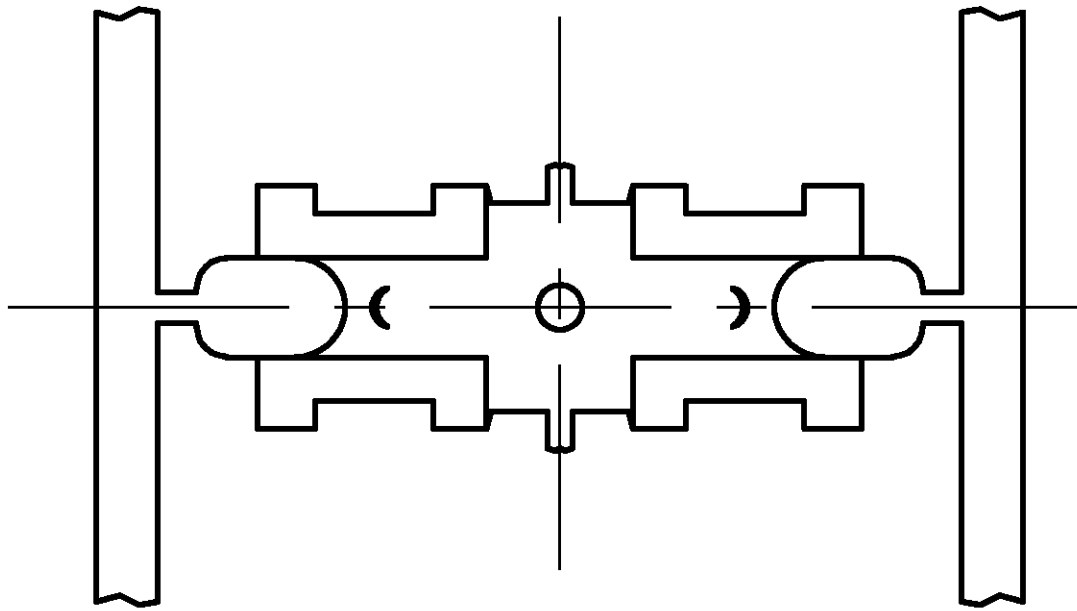
THIS DRAWING IS UNPUBLISHED.

RELEASED FOR PUBLICATION

© COPYRIGHT BY TYCO ELECTRONICS CORPORATION. ALL RIGHTS RESERVED.

LOC	DIST	REVISIONS					
AF	50	P	LTR	DESCRIPTION	DATE	DWN	APVD
		J		REDRAWN PER 0G3A-0290-01	20APR01	JR	PD

1 TO BE MOUNTED IN .123±.002 DIA HOLE.



62172-2

PART NO.

THIS DRAWING IS A CONTROLLED DOCUMENT.		DWN JR RUTH 20APR01	Tyco Electronics Corporation Harrisburg, PA. 17057		
DIMENSIONS: INCHES		CHK MS FEHER 20APR01	NAME RECEPTACLE, 250 X 032 FOR P.C.BOARD		
TOLERANCES UNLESS OTHERWISE SPECIFIED:		APVD P DESANTIS 20APR01	PRODUCT SPEC		
0 PLC ± -		APPLICATION SPEC			
1 PLC ± -		SIZE A3			
2 PLC ± -		CAGE CODE 00779			
3 PLC ± .015		DRAWING NO C-62172			
4 PLC ± -		RESTRICTED TO			
ANGLES ± -		WEIGHT -			
MATERIAL H04 BRASS		CUSTOMER DRAWING			
FINISH TIN OVER COPPER		SCALE 4:1			
		SHEET 1 OF 1			
		REV J			