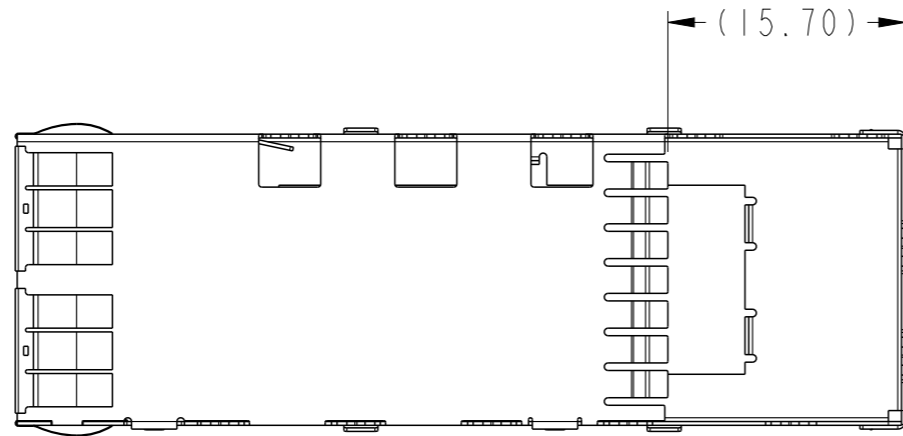
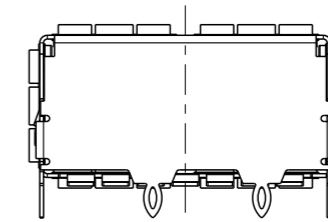
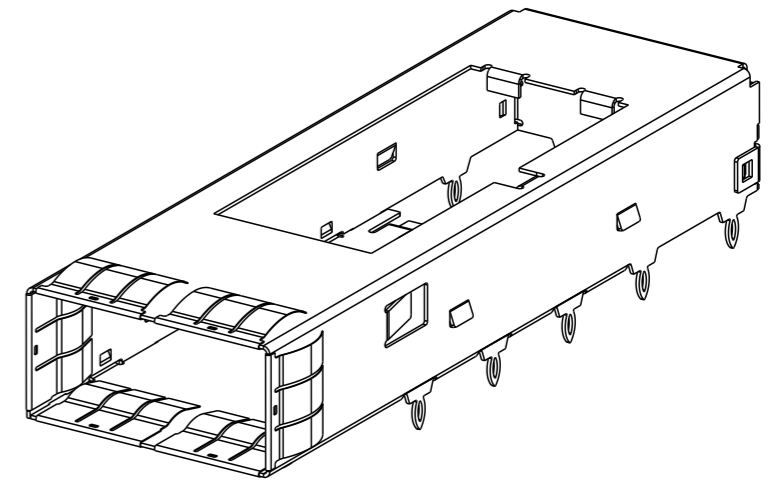
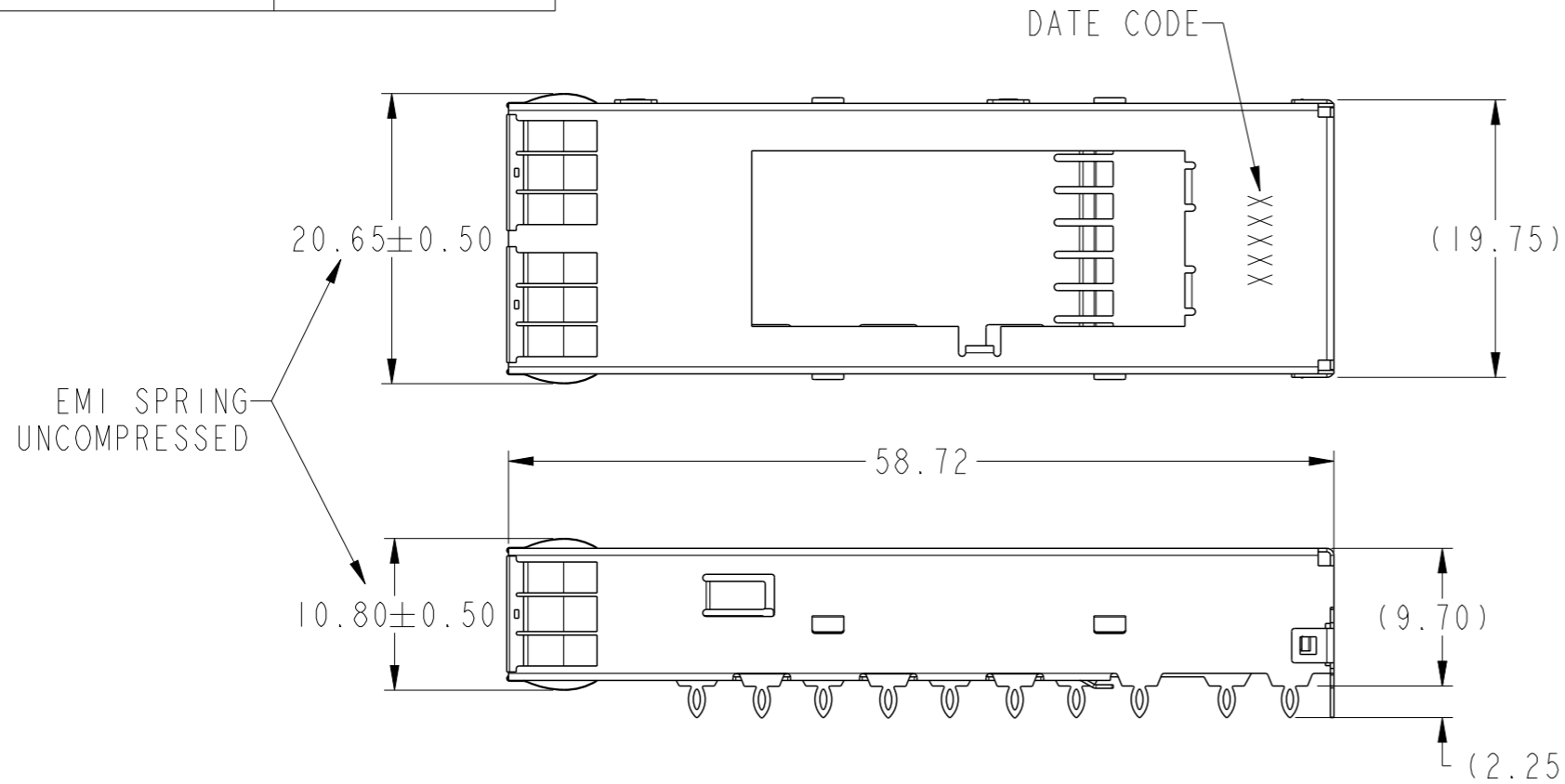
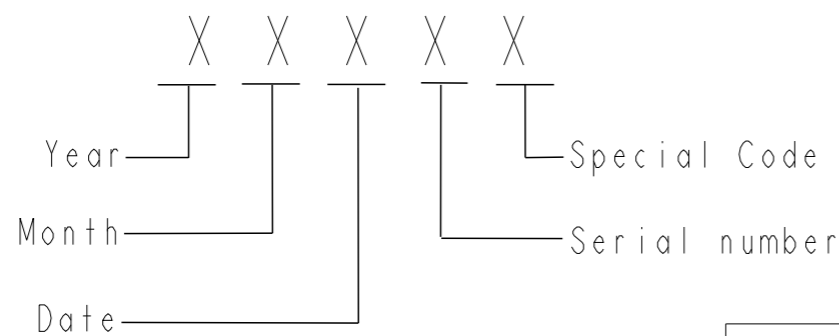


PART NUMBER	PACKAGING
10099114-001LF	TRAY



NOTES:

1. MATERIAL AND PLATING:
CAGE BODY: COPPER ALLOY, 50 μ "MIN NICKEL PLATING
EMI SPRING: COPPER ALLOY, 50 μ "MIN NI PLATING, 100 μ "TIN PLATING.
2. MATES WITH QSFP-MSA COMPLIANT TRANSCEIVER.
3. PRODUCT SPECIFICATION: GS-12-622
4. APPLICATION SPECIFICATION GS-20-126.
5. PRODUCT MEETS EUROPEAN UNION DIRECTIVES AND OTHER COUNTRY REGULATIONS AS DESCRIBED IN GS-22-008.
6. DATE CODE BE PRINTED ON PROPER SURFACE.
7. QSFP CAGE, HEATSINK AND CLIP SEPERATION OR ASSEMBLY TO BE OPTIONAL.



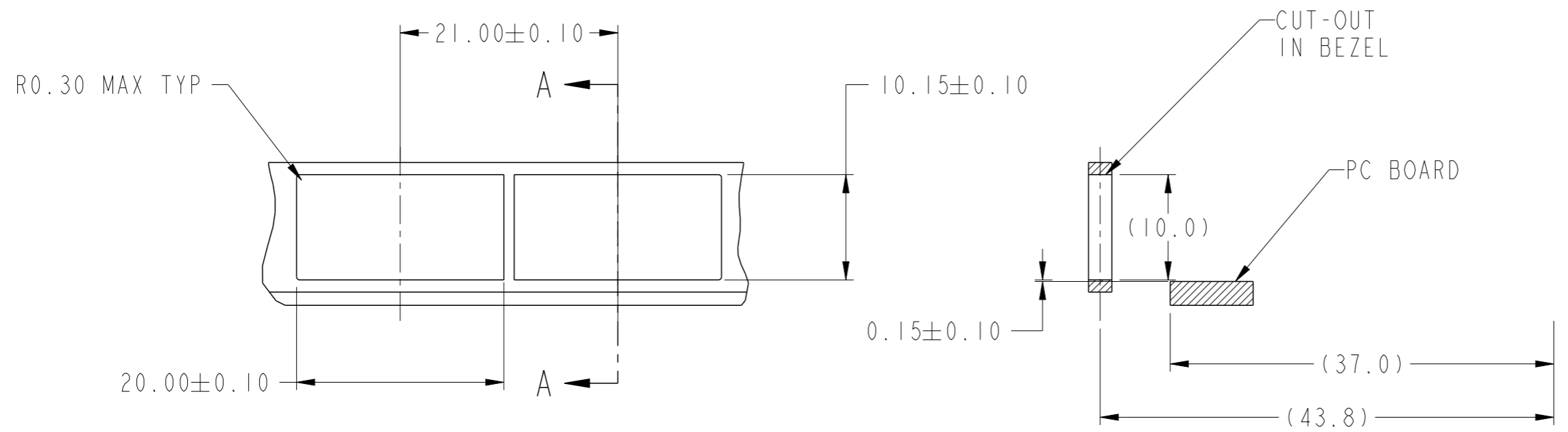
DATE CODE DESCRIPTION

spec ref	RELEASE	dr	Andy Zhang	2010/11/03	projection	mm	size	A3	scale	1:1
tolerance std	ASME Y14.5	eng	Art Lin	2015/05/22			ecn no	ELX-DG-20151-1		
	TOLERANCES UNLESS OTHERWISE SPECIFIED	chr	-	rel level				Released		
surface	linear	appr	Pei-Ming Zheng	2015/05/24	product family	QSFP	rel level	Released		
	ASME Y14.5	angular	0°	±2°	www.fci.com	cat. no.	-	Product - Customer Drw	sheet 1 of 4	
		linear	0.X	±0.50		title QSPF CAGE QSFP BOARD CONNECTOR	dwg no 10099114	rev F		
		linear	0.XX	±0.25						
		linear	0.XXX	±						



Copyright FCI.

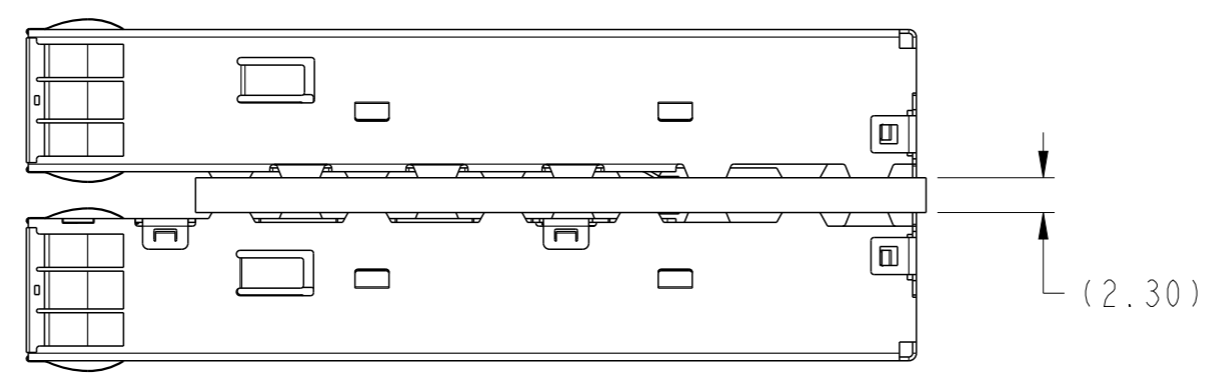
PART NUMBER
10099114-001LF



RECOMMENDED BEZEL DESIGN

SECTION A-A

FROM ϕ BEZEL
TO -K- & -L-



BEZEL CUTOUT LOCATIONS FOR BELLY TO BELLY APPLICATIONS ARE DEPENDENT ON PCB THICKNESS



Copyright FCI.

spec ref	RELEASE	dr	Andy Zhang	2010/11/03	projection	mm	size	A3	scale	1:1																			
tolerance std	ASME Y14.5	eng	Art Lin	2015/05/22			ecn no	ELX-DG-20151-1																					
	TOLERANCES UNLESS OTHERWISE SPECIFIED	chr	-	product family				QSFP	rel level	Released																			
surface	✓	appr	Pei-Ming Zheng	2015/05/24			dwg no	10099114		rev																			
	ASME Y14.5				<table border="1"> <tr> <td>linear</td> <td>0.X</td> <td>±0.50</td> </tr> <tr> <td></td> <td>0.XX</td> <td>±0.25</td> </tr> <tr> <td></td> <td>0.XXX</td> <td>±-</td> </tr> <tr> <td>angular</td> <td>0°</td> <td>±2°</td> </tr> </table>	linear	0.X	±0.50		0.XX	±0.25		0.XXX	±-	angular	0°	±2°	<table border="1"> <tr> <td>title</td> <td>QSPF CAGE</td> </tr> <tr> <td></td> <td>QSPF BOARD CONNECTOR</td> </tr> </table>	title	QSPF CAGE		QSPF BOARD CONNECTOR	<table border="1"> <tr> <td>cat. no.</td> <td>-</td> </tr> </table>	cat. no.	-	<table border="1"> <tr> <td>Product - Customer Drw</td> <td>sheet 4 of 4</td> </tr> </table>	Product - Customer Drw	sheet 4 of 4	F
linear	0.X	±0.50																											
	0.XX	±0.25																											
	0.XXX	±-																											
angular	0°	±2°																											
title	QSPF CAGE																												
	QSPF BOARD CONNECTOR																												
cat. no.	-																												
Product - Customer Drw	sheet 4 of 4																												