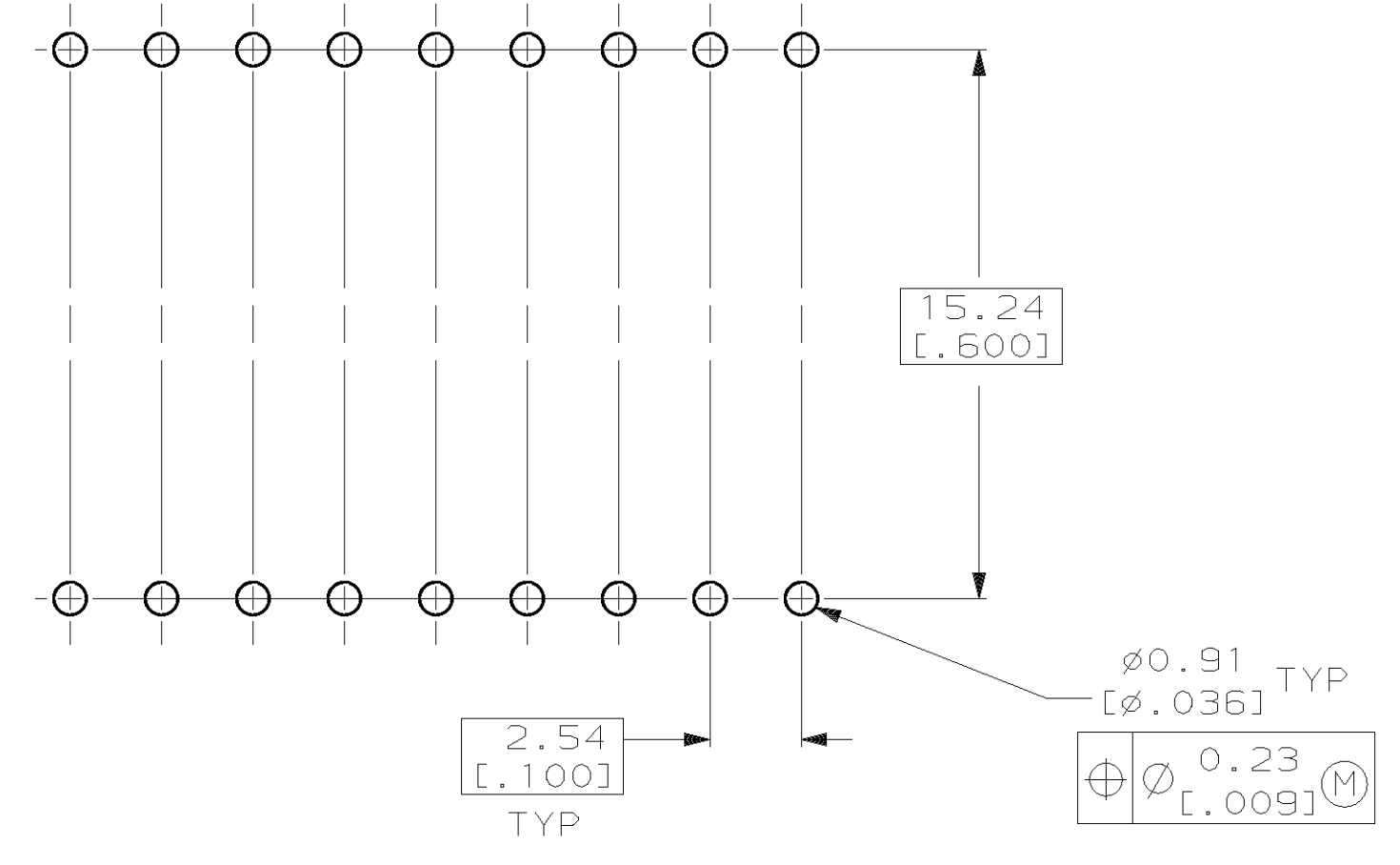
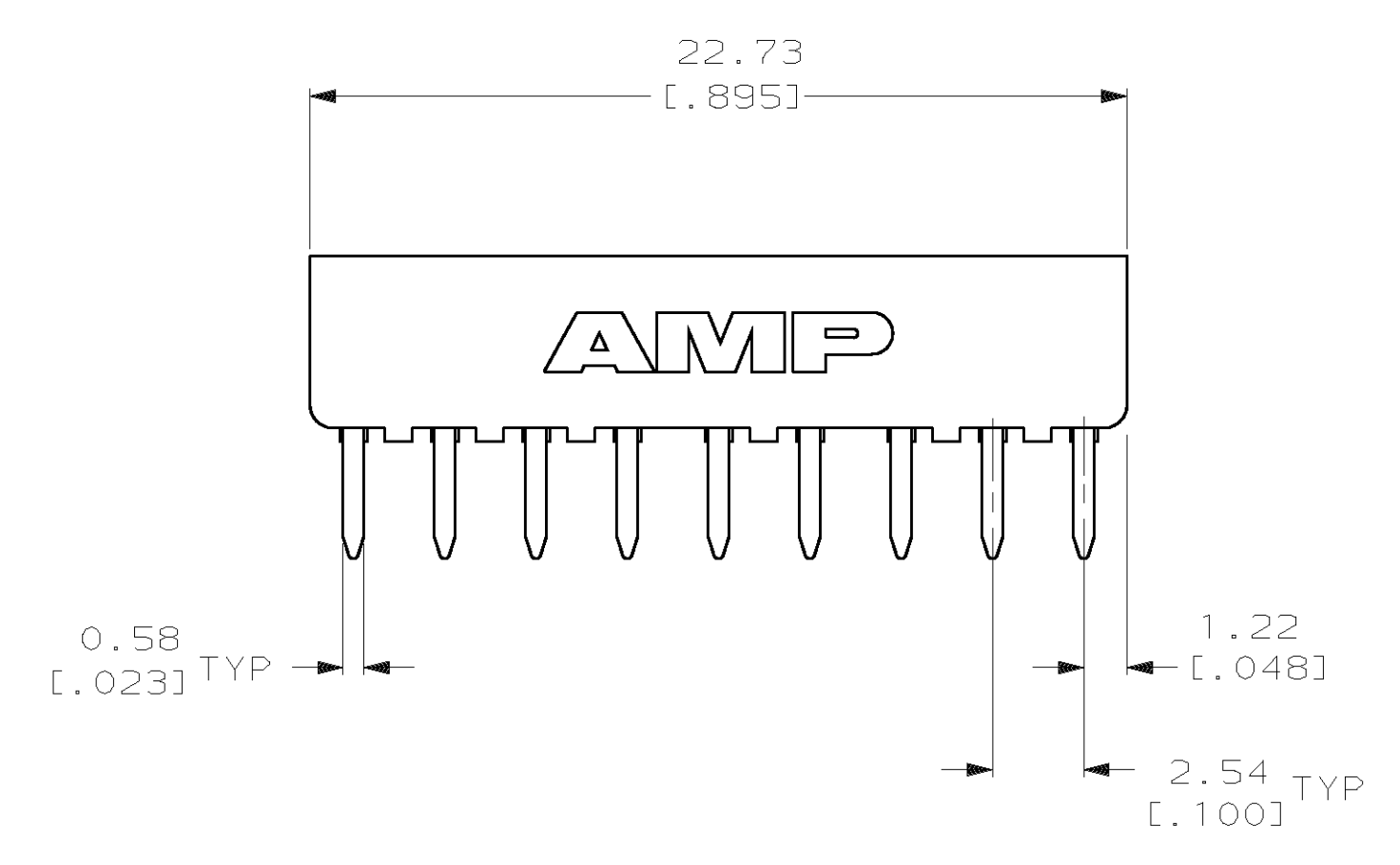
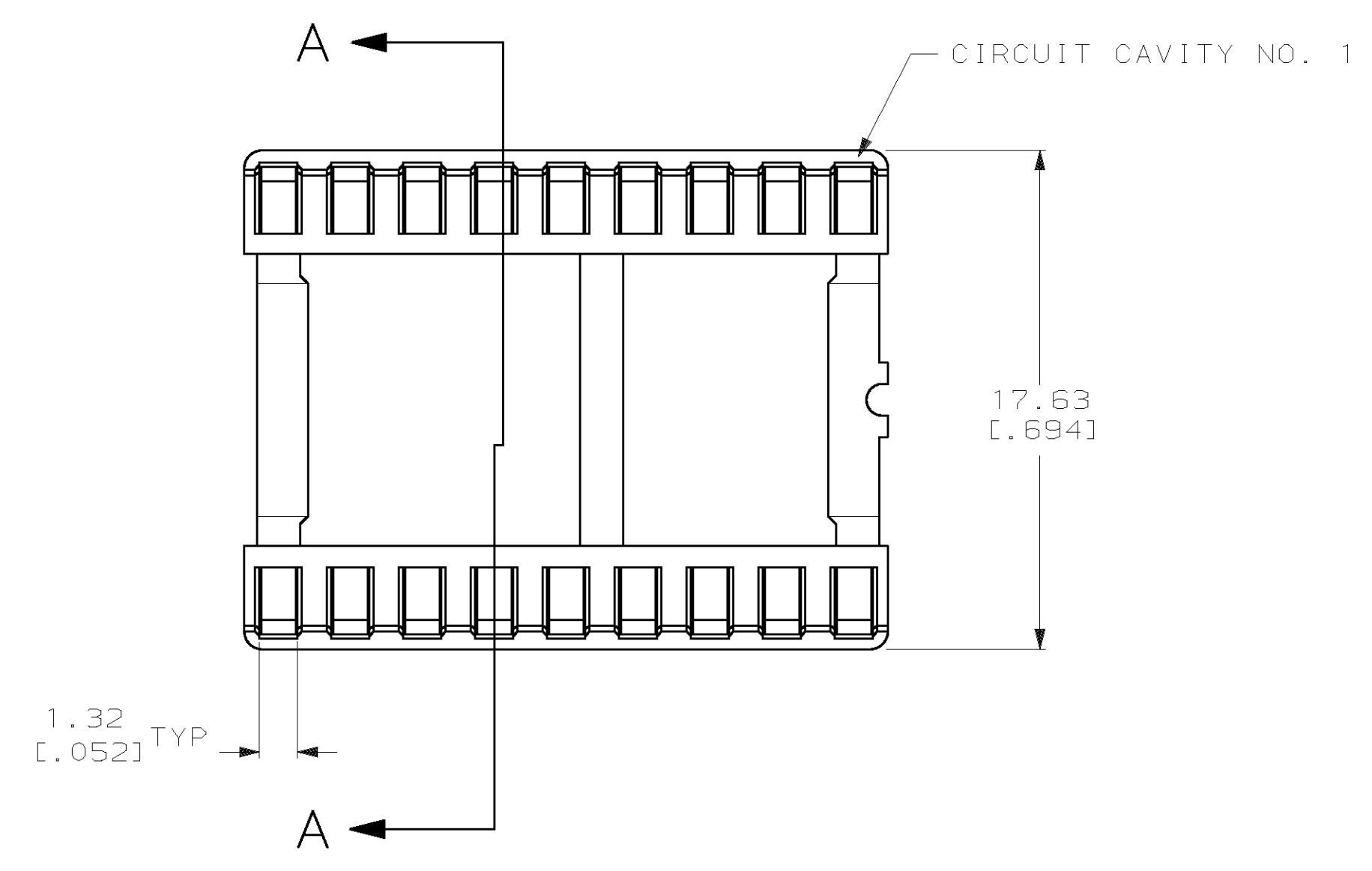
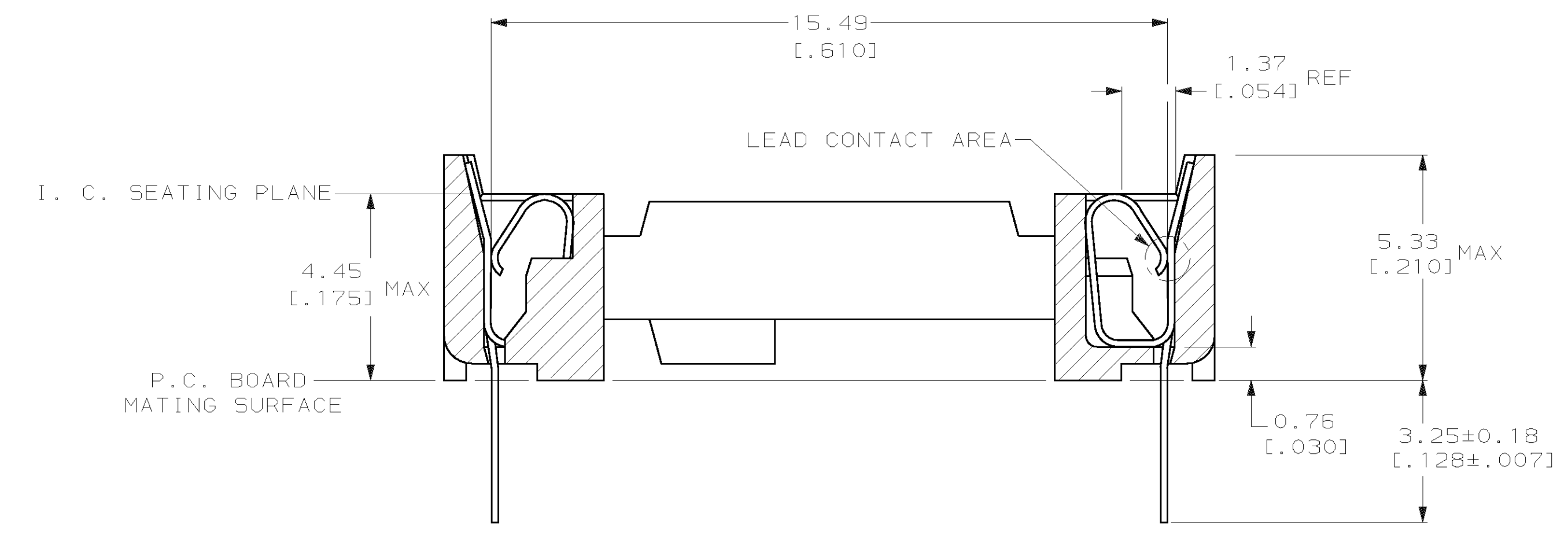
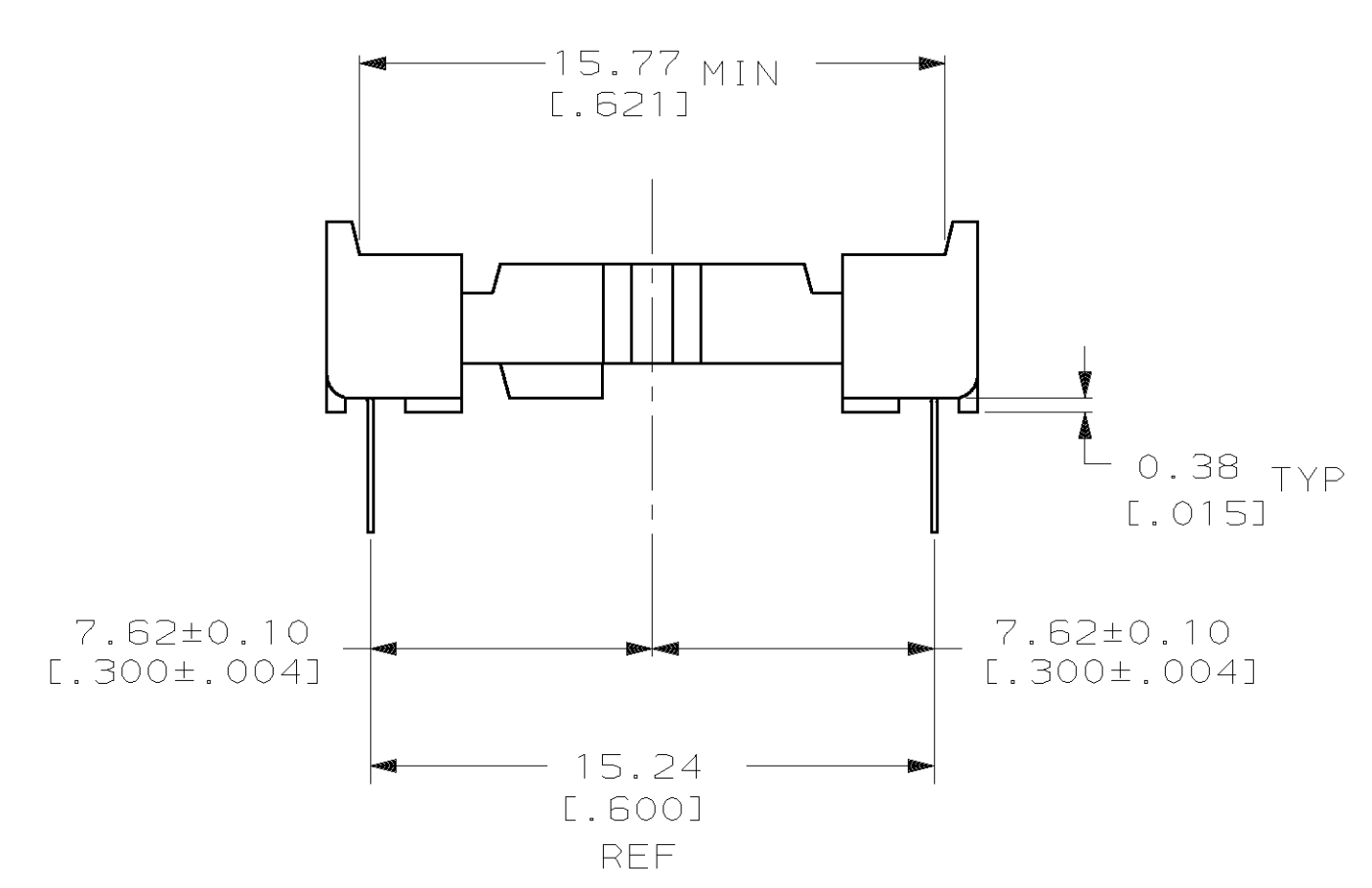


LOC		DIST		REV		REVISIONS		
FT	64	P	F	ZONE	LTR	DESCRIPTION	DATE	APPD
						D REV PER 063C-0104-01	04SEP01	JO

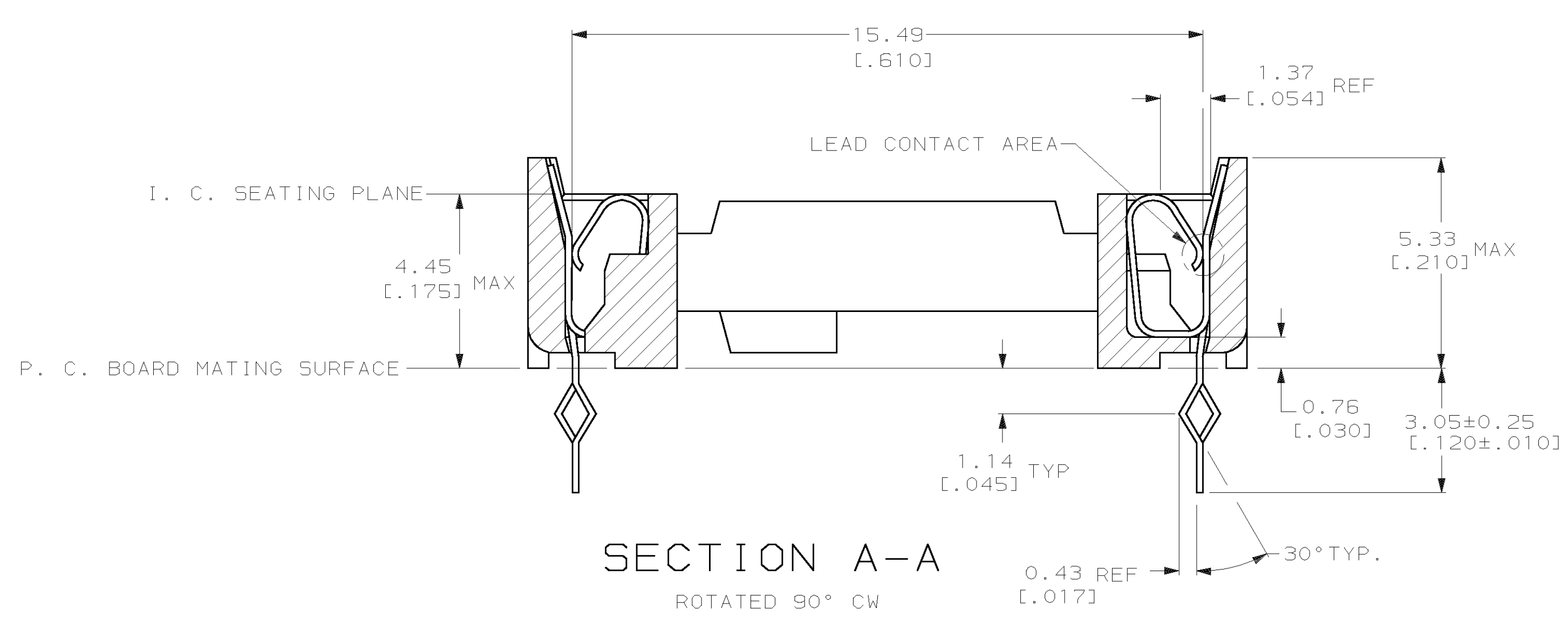


RECOMMENDED MOUNTING HOLE PATTERN

1. RECEPTABLE ACCEPTS AN 0.20-0.36 [.008-.014] THK I.C. LEAD.
2. MATERIAL: HOUSING-GLASS FILLED THERMOPLASTIC, 94V-0, BLACK
3. TUBE LOADED.



SECTION A-A
 ROTATED 90° CW
 SCALE 10:1
 FOR 2--1, 2--2 & 2--3 ONLY



SECTION A-A
 ROTATED 90° CW
 SCALE 10:1
 FOR 2--6 & 2--8 ONLY

OBsolete

TINNED	PHOS. BRZ. 0.15 [.006] THK	△2	2-382713-8
TINNED	BE. CU. 0.15 [.006] THK	△2	2-382713-6
TINNED	PHOS. BRZ. 0.15 [.006] THK	△2	2-382713-3
GOLD	BE. CU. 0.15 [.006] THK	△2	2-382713-2
TINNED	BE. CU. 0.15 [.006] THK	△2	2-382713-1
CONTACT PLATING	CONTACT MATERIAL	HOUSING MATERIAL	PART NUMBER

DO NOT SCALE PRINT. UNLESS SPECIFIED DIMENSIONS IN mm [INCHES]		PART NO	
DR 10-22-92 C. WHITT	CHK 11-3-92 R. TALLEY	AMP Incorporated Harrisburg, PA 17105-3608	
2 PLC DEC ± -	APPD 11-6-92 F. BOYD		
3 PLC DEC ± 0.13 [.005]	APPD 11-6-92 L. STEPHENS	NAME	
ANGLES ± -	PRODUCT SPEC 108-1066	SOCKET ASSY, DIP, LADDER, 18 POS, DIPLOMATE DL	
MATERIAL	APPLICATION SPEC 114-1049	SIZE	DRAWING NO
SEE TABLE	WEIGHT -	D 00779	C-382713
FINISH	SCALE 5:1	CAGE CODE	SHEET 1 OF 1

THIS DRAWING IS A CONTROLLED DOCUMENT FOR AMP INCORPORATED. IT IS SUBJECT TO CHANGE AND THE CONTROLLING ENGINEERING ORGANIZATION SHOULD BE CONTACTED FOR THE LATEST REVISION.