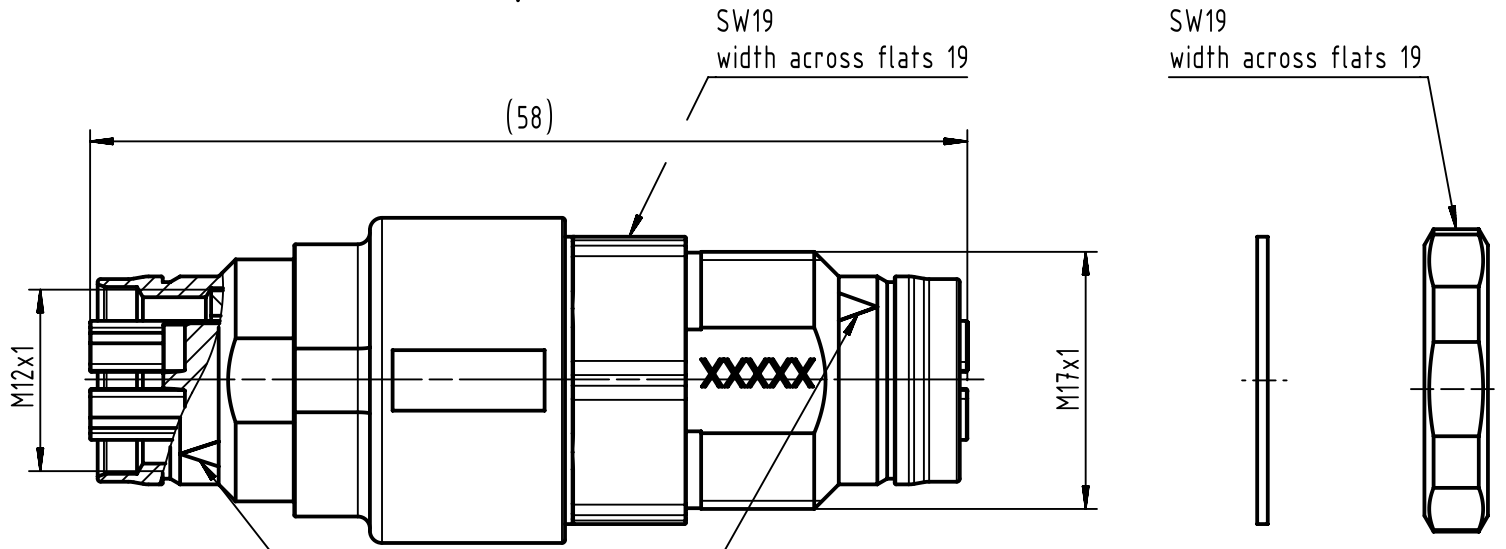
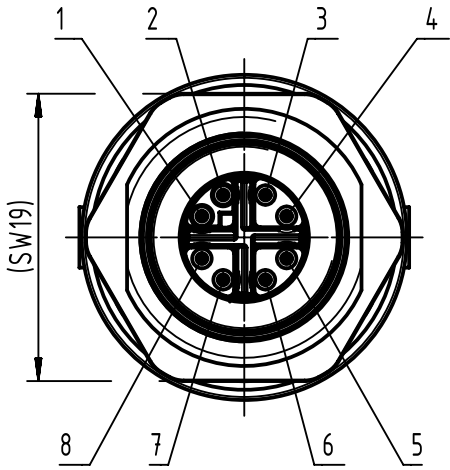
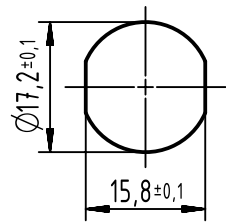


contact face X-coded acc.
to IEC 61076-2-109

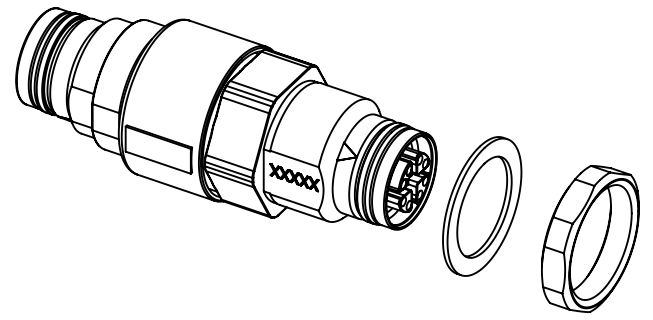
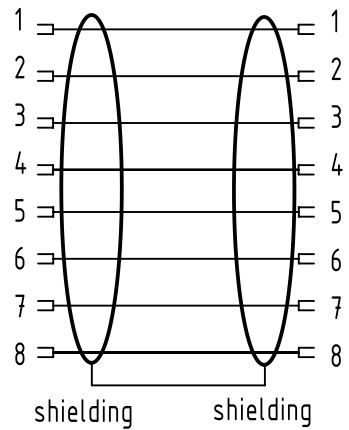
without flat seal and nut



Panel cut out
(1:1)



schematic diagram



	All rights reserved Department EC PD - RO	All Dimensions in mm Original Size DIN A4		Scale 2:1	Free size tol.	Ref. Sub.
		Created by STOICA	Inspected by AVRAM	Standardisation HOFFMANN	Date 2017-02-21	State Final Release
HARTING Electronics GmbH D-32339 Espelkamp		Title M12 Gender Changer with PushPull X-coded female			Doc-Key / ECM-Nr. 100681042/UGD/021/D 500000115495	
		Type TB	Number 21033816816		Rev. D	Page 1/1