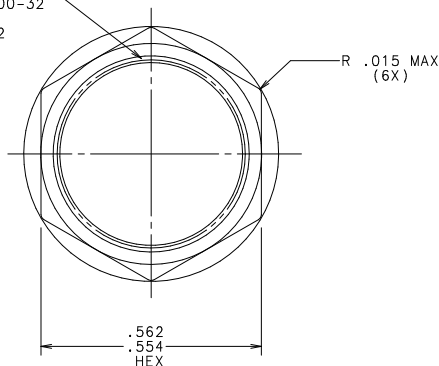
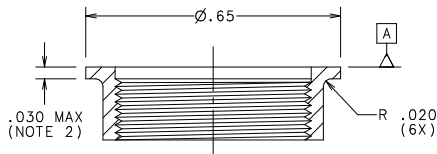


THREADS: (2B)
 SPECIAL: DOUBLE-LEAD .500-32
 MINOR DIA.: .466/.474
 PITCH DIA.: .4797/.4842
 MAJOR DIA.: .500



NOTES:

1. NUT IS TO ACCEPT A TORQUE OF 18 LB.-IN. WITHOUT CRACKING OR STRIPPING
2. THE STARTING POINT OF THE LEAD THREAD CANNOT EXCEED .030 FROM SURFACE [A].
3. "FLASH EXTENDING ABOVE SURFACE [A] CANNOT EXCEED .006 HIGH AND .004 THICK.

PACKAGING NOTES:

PLACE IN TOTE -580599 LINED WITH POLY BAG -890-750 LABEL TOTE WITH -914-796 PRINTED PER GENERAL LABEL SPEC. LS-000003.

1	057295	RYNITE 415 HP	DESCRIPTION	LB	2.25
NO	COMPONENT NO			QTY/M	U/M

BILL OF MATERIAL					
COPIES TO		MATERIAL SPEC		FINISH	
1	9	DRW	KAM	DATE	1/23/97
2	10	19		SCALE	4:1
3	12	20	CHK	DATE	
4	13	21	APPD	DATE	
5	14	23		RAW STK WT	
6	15	33			LBS/M
7	16	43		TOLERANCE UNLESS OTHERWISE SPECIFIED	
8	17	53		TWO PLACE DEC ±.01	
				THREE PLACE DEC ±.005	
				ANGULAR ±1°	
TITLE					
HEX NUT, MOLDED					

LTR	REVISION	CHK	APD
K	39068C-REVISE & REDRAWN IN NEW STRUCTURE 4/16/98 KAM		
L	39682C-CHG. 0.845 TO .7896 03/22/99 PJM		
M	80635C-CHG. .7896 TO 2.25 08/22/00 PJM		

UNLESS OTHERWISE SPECIFIED, DIMENSIONS DO NOT INCLUDE PLATING.

UNLESS OTHERWISE SPECIFIED, DIMENSIONS DO NOT INCLUDE PLATING.

UNLESS OTHERWISE SPECIFIED, DIMENSIONS DO NOT INCLUDE PLATING.

UNLESS OTHERWISE SPECIFIED, DIMENSIONS DO NOT INCLUDE PLATING.

UNLESS OTHERWISE SPECIFIED, DIMENSIONS DO NOT INCLUDE PLATING.

UNLESS OTHERWISE SPECIFIED, DIMENSIONS DO NOT INCLUDE PLATING.

UNLESS OTHERWISE SPECIFIED, DIMENSIONS DO NOT INCLUDE PLATING.

UNLESS OTHERWISE SPECIFIED, DIMENSIONS DO NOT INCLUDE PLATING.

UNLESS OTHERWISE SPECIFIED, DIMENSIONS DO NOT INCLUDE PLATING.

UNLESS OTHERWISE SPECIFIED, DIMENSIONS DO NOT INCLUDE PLATING.

UNLESS OTHERWISE SPECIFIED, DIMENSIONS DO NOT INCLUDE PLATING.

UNLESS OTHERWISE SPECIFIED, DIMENSIONS DO NOT INCLUDE PLATING.

UNLESS OTHERWISE SPECIFIED, DIMENSIONS DO NOT INCLUDE PLATING.

UNLESS OTHERWISE SPECIFIED, DIMENSIONS DO NOT INCLUDE PLATING.

UNLESS OTHERWISE SPECIFIED, DIMENSIONS DO NOT INCLUDE PLATING.

UNLESS OTHERWISE SPECIFIED, DIMENSIONS DO NOT INCLUDE PLATING.

UNLESS OTHERWISE SPECIFIED, DIMENSIONS DO NOT INCLUDE PLATING.

UNLESS OTHERWISE SPECIFIED, DIMENSIONS DO NOT INCLUDE PLATING.

UNLESS OTHERWISE SPECIFIED, DIMENSIONS DO NOT INCLUDE PLATING.

UNLESS OTHERWISE SPECIFIED, DIMENSIONS DO NOT INCLUDE PLATING.

DESIGNER: M
 DRAWN: M
 CHECKED: M
 APPROVED: M
 DATE: 1/23/97
 SCALE: 4:1
 SUPER DRW
 RAW STK WT
 LBS/M
 TOLERANCE UNLESS OTHERWISE SPECIFIED
 TWO PLACE DEC ±.01
 THREE PLACE DEC ±.005
 ANGULAR ±1°
 HEX NUT, MOLDED
 LITLIFEUSE®
 DES PLAINES, ILL INOIS 60016
 903-097

UNCONTROLLED DOCUMENT