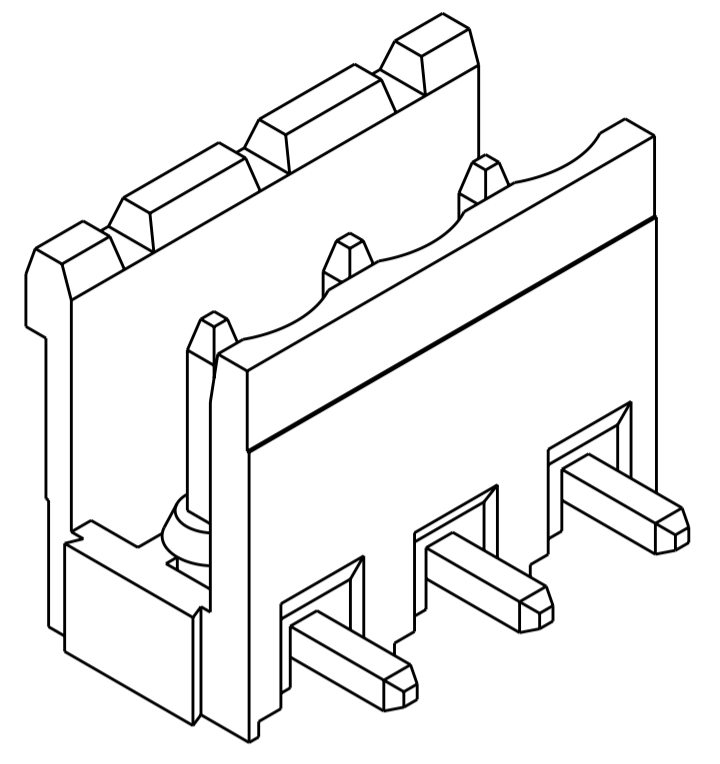
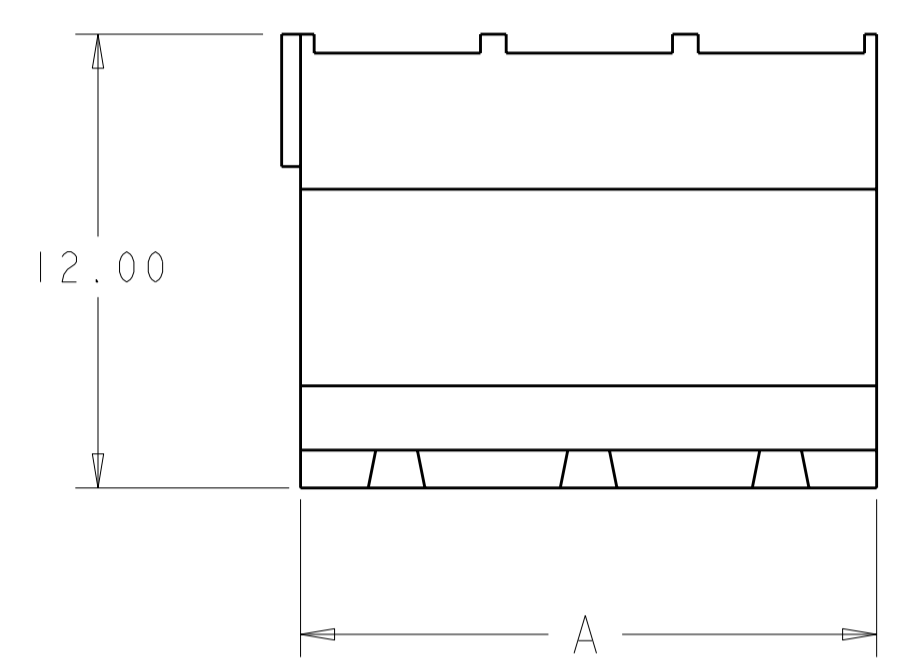


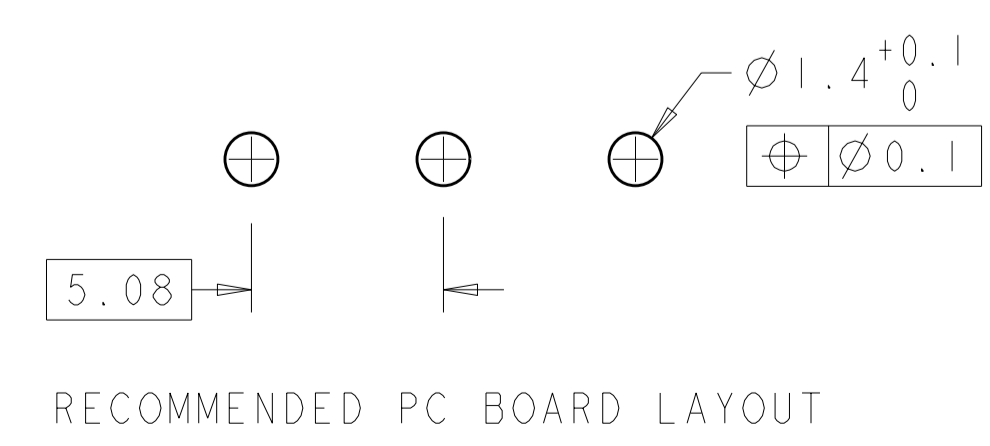
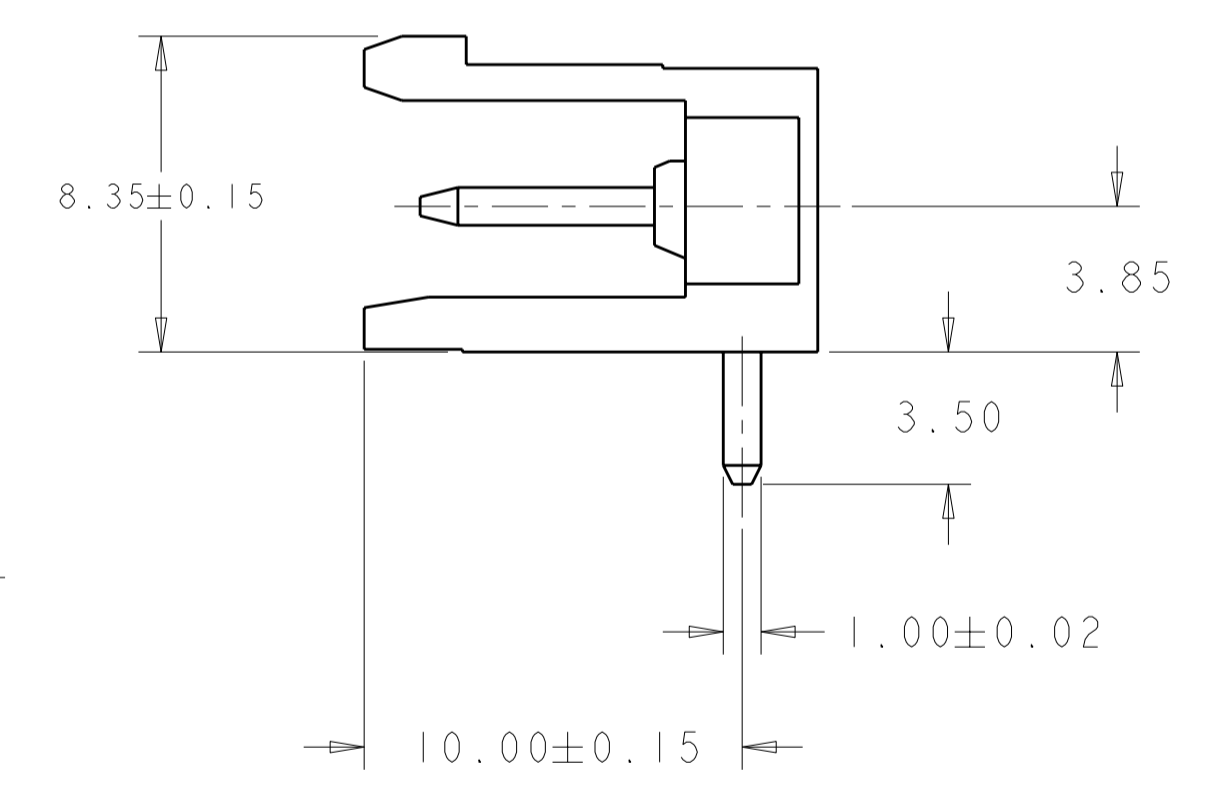
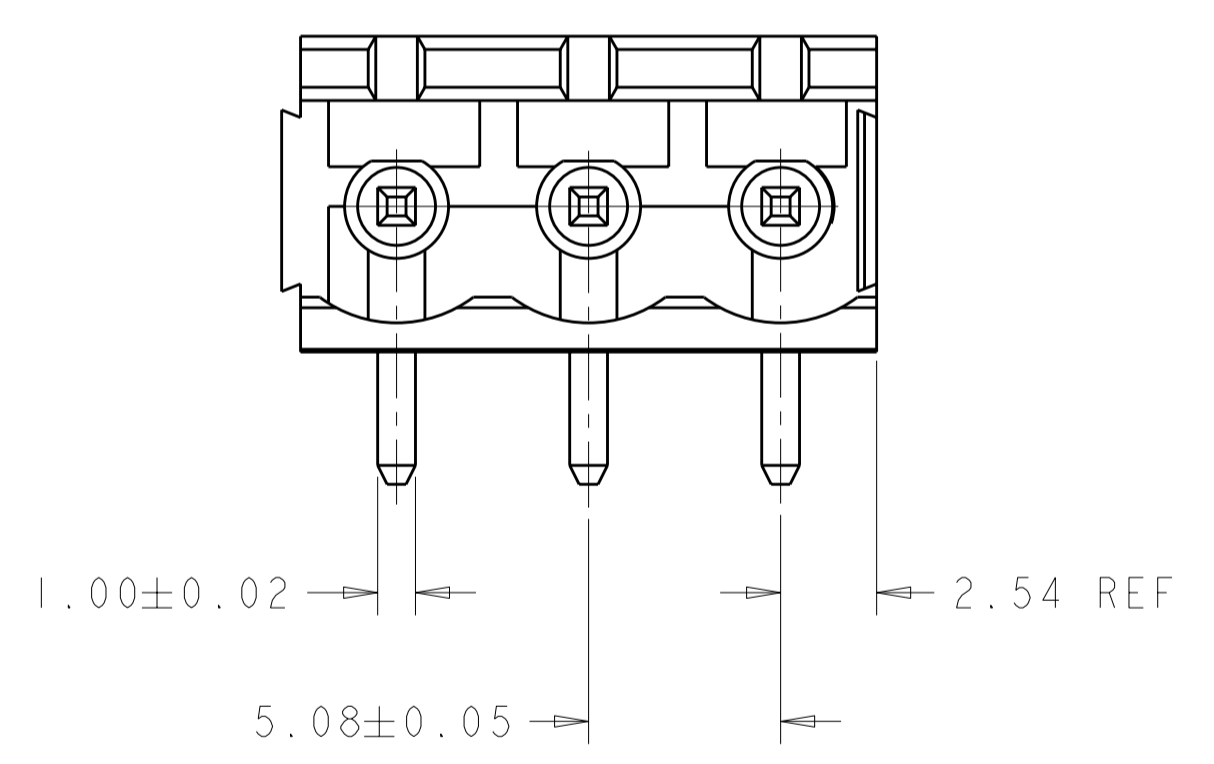
THIS DRAWING IS UNPUBLISHED. RELEASED FOR PUBLICATION 20
 © COPYRIGHT 20 Tyco Electronics AMP GmbH ALL RIGHTS RESERVED.

LOC		DIST		REVISIONS			
P	LTR	DESCRIPTION	DATE	DWN	APVD		
	01	REVISED PER ECO-12-007711	26APR2012	KH	MS		



1776145-3 AS SHOWN

1. MATERIALS AND FINISH
 HOUSING: HIGH TEMPERATURE POLYAMIDE, UL 94V-0 RATED,
 COLOR: BLACK.
 TERMINAL: COPPER ALLOY, TIN PLATED.
2. SUITABLE FOR 1,6-2,4mm PC BOARD THICKNESS.
3. END-TO-END STACKABLE WITHOUT LOSS OF CENTERLINE SPACING.
4. RECOGNIZED UNDER THE COMPONENT PROGRAM OF UNDERWRITERS LABORATORIES INC. FILE N° E60677.
5. IMQ CERTIFICATE WITH SURVEILLANCE IN CONFORMITY WITH IEC 998-1/998-2-1.
6. UL RATING: 300V, 15A.



20.0	4	1776145-4
15.0	3	1776145-3
10.0	2	1776145-2
A	NO OF POSN	PART NUMBER

THIS DRAWING IS A CONTROLLED DOCUMENT.		DWN S. WELDON 29JUN2005	STE TE Connectivity	
DIMENSIONS: mm		CHK C. RICHARD 29JUN2005		
TOLERANCES UNLESS OTHERWISE SPECIFIED:		APVD C. RICHARD 29JUN2005	NAME	
0 PLC ±.2	1 PLC ±.25	PRODUCT SPEC	TERMINAL BLOCK HEADER ASSEMBLY	
2 PLC ±.25	3 PLC ±.	108-20166	90 DEGREE, OPEN ENDS, STACKING	
4 PLC ±.	ANGLES ±2	114-20079	5.00mm PITCH	
FINISH		WEIGHT -	SIZE	RESTRICTED TO
MATERIAL		CUSTOMER DRAWING	A200779	-
		SCALE 3:1	DRAWING NO	
			C=1776145	
			SHEET 1 OF 1	REV 01