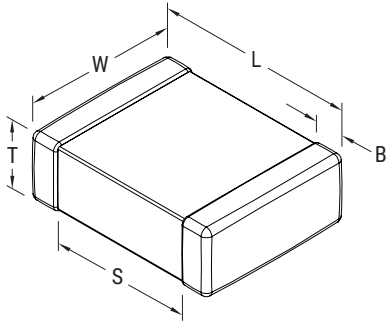


High Temperature 200°C COG Dielectric, Low to Medium Voltage (25 – 200 VDC)

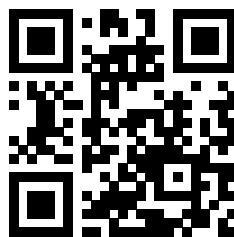
Sample Kit Contents

KEMET Part Number	Case Size	Capacitance	Cap Tolerance	Rated Voltage	T Thickness	Dielectric	Quantity
	EIA/Metric		%	VDC	mm		
C0402H561J1GACTU	0402/1005	560 pF	±5	100	0.50 ±0.05	COG	100
C0402H102J1GACTU	0402/1005	1000 pF	±5	100	0.50 ±0.05	COG	100
C0402H152J5GACTU	0402/1005	1500 pF	±5	50	0.50 ±0.05	COG	100
C0603H102J1GACTU	0603/1608	1000 pF	±5	100	0.80 ±0.07	COG	50
C0603H222J1GACTU	0603/1608	2200 pF	±5	100	0.80 ±0.07	COG	50
C0603H103J3GACTU	0603/1608	10000 pF	±5	25	0.80 ±0.07	COG	50
C0805H102J2GACTU	0805/2012	1000 pF	±5	200	0.90 ±0.10	COG	50
C0805H103J1GACTU	0805/2012	10000 pF	±5	100	0.90 ±0.10	COG	50
C0805H333J3GACTU	0805/2012	33000 pF	±5	25	1.25 ±0.15	COG	50
C1206H271J2GACTU	1206/3216	270 pF	±5	200	0.78 ±0.10	COG	50
C1206H272J2GACTU	1206/3216	2700 pF	±5	200	0.90 ±0.10	COG	50
C1206H103J1GACTU	1206/3216	10000 pF	±5	100	0.78 ±0.10	COG	50
C1206H473J1GACTU	1206/3216	47000 pF	±5	100	1.60 ±0.20	COG	50
C1206H823J5GACTU	1206/3216	82000 pF	±5	50	1.60 ±0.20	COG	50
C1206H104J3GACTU	1206/3216	0.10 µF	±5	25	1.60 ±0.20	COG	50
C1210H102J1GACTU	1210/3225	1000 pF	±5	100	0.78 ±0.10	COG	50
C1210H332J2GACTU	1210/3225	3300 pF	±5	200	1.10 ±0.10	COG	50
C1210H562J2GACTU	1210/3225	5600 pF	±5	200	1.25 ±0.15	COG	50
C1210H103J1GACTU	1210/3225	10000 pF	±5	100	1.10 ±0.10	COG	50
C1210H104J1GACTU	1210/3225	0.10 µF	±5	100	1.70 ±0.20	COG	50
C1210H154J5GACTU	1210/3225	0.15 µF	±5	50	1.70 ±0.20	COG	50
C1812H154J1GACTU	1812/4532	0.15 µF	±5	100	1.70 ±0.20	COG	25
C1812H224J5GACTU	1812/4532	0.22 µF	±5	50	1.60 ±0.20	COG	25
C2220H474J5GACTU	2220/5650	0.47 µF	±5	50	2.20 ±0.15	COG	25

Dimensions – Millimeters (Inches)



Case Size (in.)	Case Size (mm)	L Length	W Width	T Thickness	B Bandwidth	S Separation Minimum	Mounting Technique
0402	1005	1.00 (0.040) ±0.05 (0.002)	0.50 (0.020) ±0.05 (0.002)	See Table Above	0.30 (0.012) ±0.10 (0.004)	0.30 (0.012)	Solder Reflow Only
0603	1608	1.60 (0.063) ±0.15 (0.006)	0.80 (0.032) ±0.15 (0.006)		0.35 (0.014) ±0.15 (0.006)	0.70 (0.028)	Solder Wave or Solder Reflow
0805	2012	2.00 (0.079) ±0.20 (0.008)	1.25 (0.049) ±0.20 (0.008)		0.50 (0.02) ±0.25 (0.010)	0.75 (0.030)	
1206	3216	3.20 (0.126) ±0.20 (0.008)	1.60 (0.063) ±0.20 (0.008)		0.50 (0.02) ±0.25 (0.010)	N/A	Solder Reflow Only
1210	3225	3.20 (0.126) ±0.20 (0.008)	2.50 (0.098) ±0.20 (0.008)		0.50 (0.02) ±0.25 (0.010)		
1812	4532	4.50 (0.177) ±0.30 (0.012)	3.20 (0.126) ±0.30 (0.012)		0.60 (0.024) ±0.35 (0.014)		
2220	5650	5.70 (0.224) ±0.40 (0.016)	5.00 (0.197) ±0.40 (0.016)		0.60 (0.024) ±0.35 (0.014)		



www.kemet.com/HT-COG