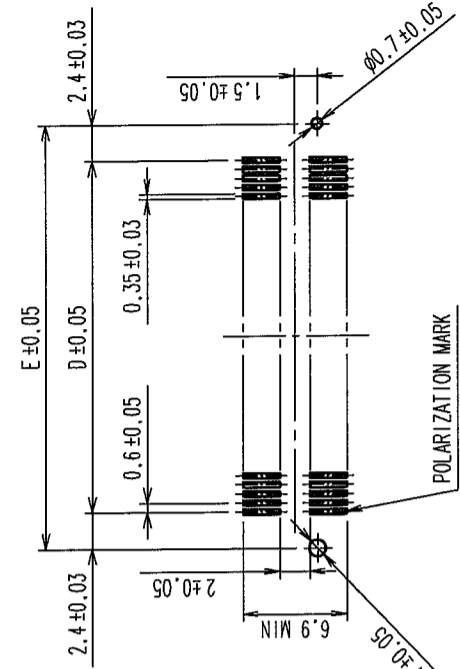


COUNT	DESCRIPTION OF REVISIONS	BY	CHKD	DATE	COUNT	DESCRIPTION OF REVISIONS	BY	CHKD	DATE
3	RE-F-09671	K.N	H.Y	10.04.08					

RECOMMENDED LAND PATTERN DIMENSION OF P.C.B. (MOUNTING SIDE)

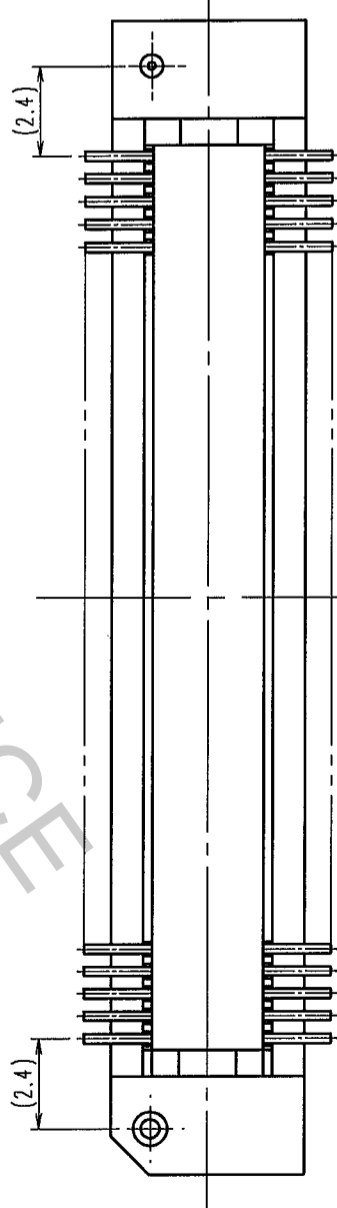
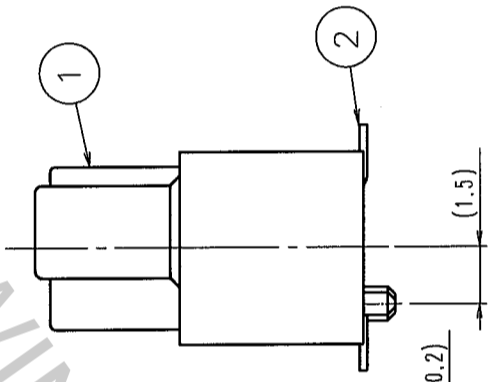


DIMENSION TABLE OF CONNECTOR AND P.C.B. LAND PATTERN.

PART No.	CODE No.	6	7	A	B	C	D	E
FX8C-60P-SV4(93)	CL578-0581-8-93	60	×	24.60	23.00	20.70	17.40	22.20
FX8C-80P-SV4(93)	CL578-0583-3-93	80	×	30.60	29.00	26.70	23.40	28.20
FX8C-100P-SV4(93)	CL578-0585-9-93	100	×	36.60	35.00	32.70	29.40	34.20
FX8C-120P-SV4(93)	CL578-0586-1-93	120	-	42.60	41.00	38.70	35.40	40.20
FX8C-140P-SV4(93)	CL578-0587-4-93	140	×	48.60	47.00	44.70	41.40	46.20

- NOTE 1. LEAD CO-PLANARITY SHALL BE 0.1mm MAX.
 2. EMBOSSED CARRIER TAPE PACKAGING SHALL BE APPLIED TO THIS PRODUCT.
 SEE NEXT PAGE FOR DETAILS.
 3. THIS PRODUCT HAS TAPE FOR VACUUM PICKUP.
 SEE NEXT PAGE FOR DETAIL OF STICKING POSITION, ETC.
 4. FOR MODIFICATION, ETC. PREVENTIVE HOLE FOR SINK MARK MAY BE ADDED ACCORDING TO CIRCUMSTANCES.
 5. THE DIMENSIONS IN PARENTHESES ARE FOR REFERENCE.

6 NUMBER OF CONTACTS.
 7 EXISTENCE
 × : PRODUCED, - : NO PRODUCED

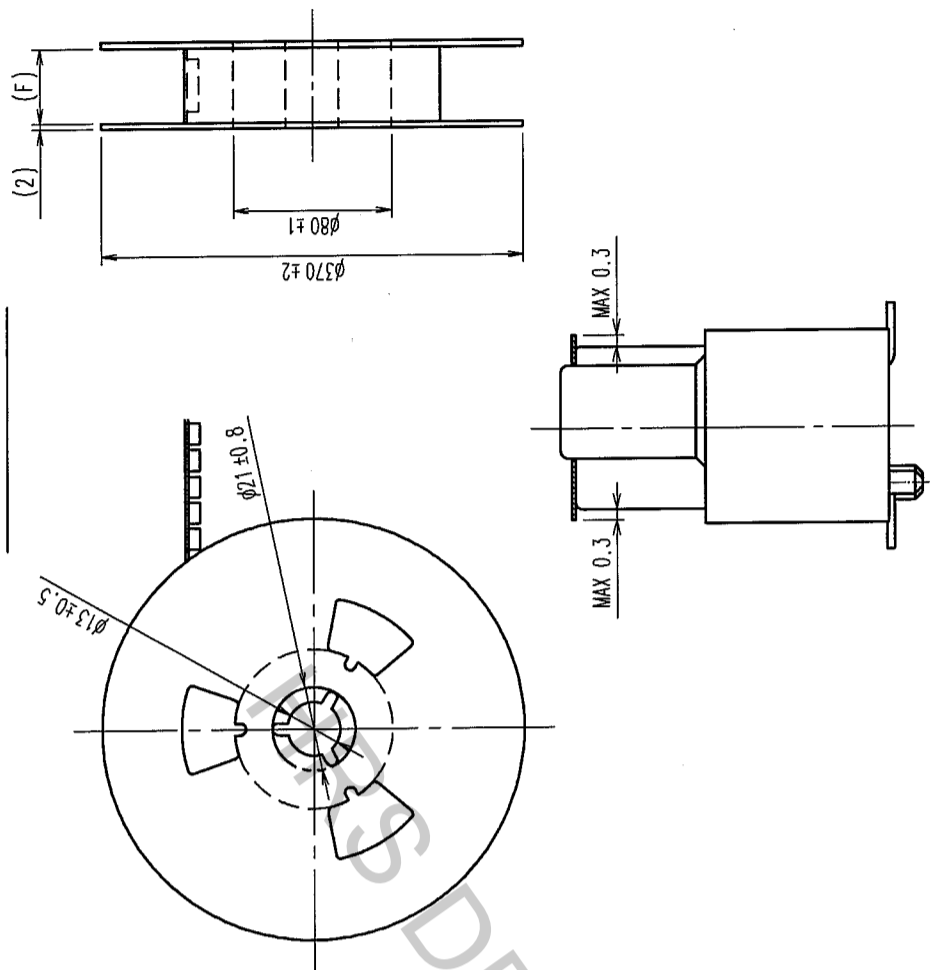


NO.	MATERIAL	FINISH, REMARKS	NO.	MATERIAL	DESIGNED	CHECKED	APPROVED	RELEASED	
1	PPS	LIGHT BROWN (UL94V-0)	2	PHOSPHOR BRONZE	S. SUZUKI	H. OKAWA	Y. YOSHIMURA		
CODE NO. (OLD)		CL		DRAWN		DESIGNED		CHECKED	
SCALE		FREE		03.02.04		03.02.12		03.02.14	
UNITS		MM		PART NO.		FX8C-**-P-SV4(93)			
		HRS		HIROSE ELECTRIC CO., LTD		CODE NO.		CL578	

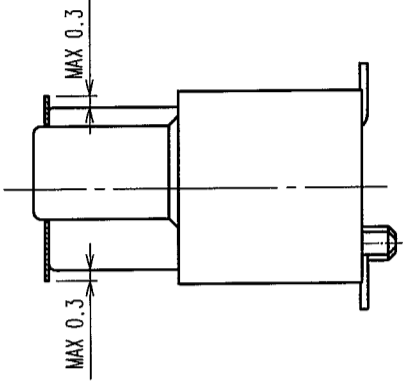
TO	
PCK	

COUNT	DESCRIPTION OF REVISIONS	BY	CHKD	DATE	COUNT	DESCRIPTION OF REVISIONS	BY	CHKD	DATE

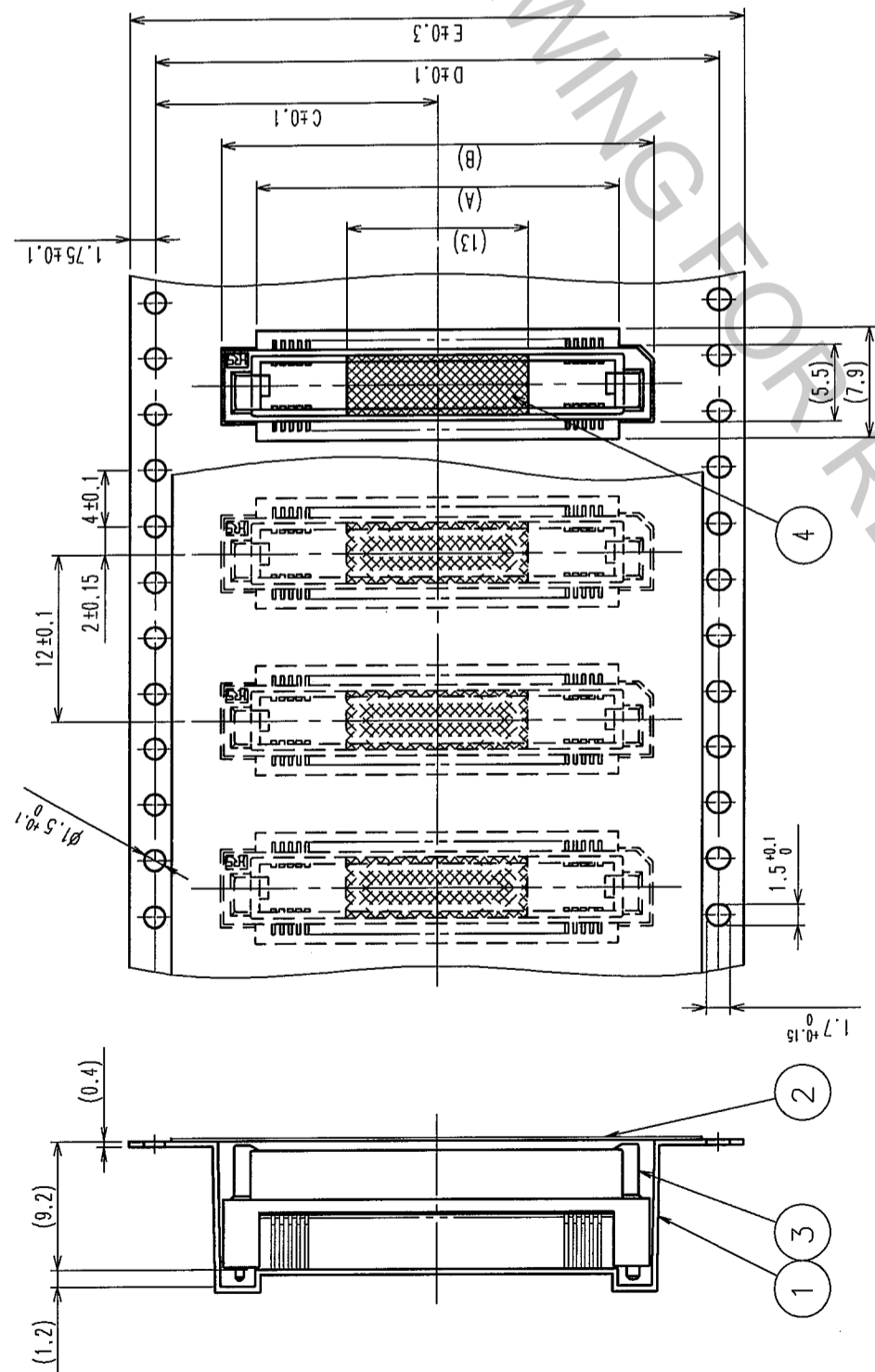
REEL DIMENSION



DETAIL OF TAPE FOR VACUUM PICKUP (5:1)

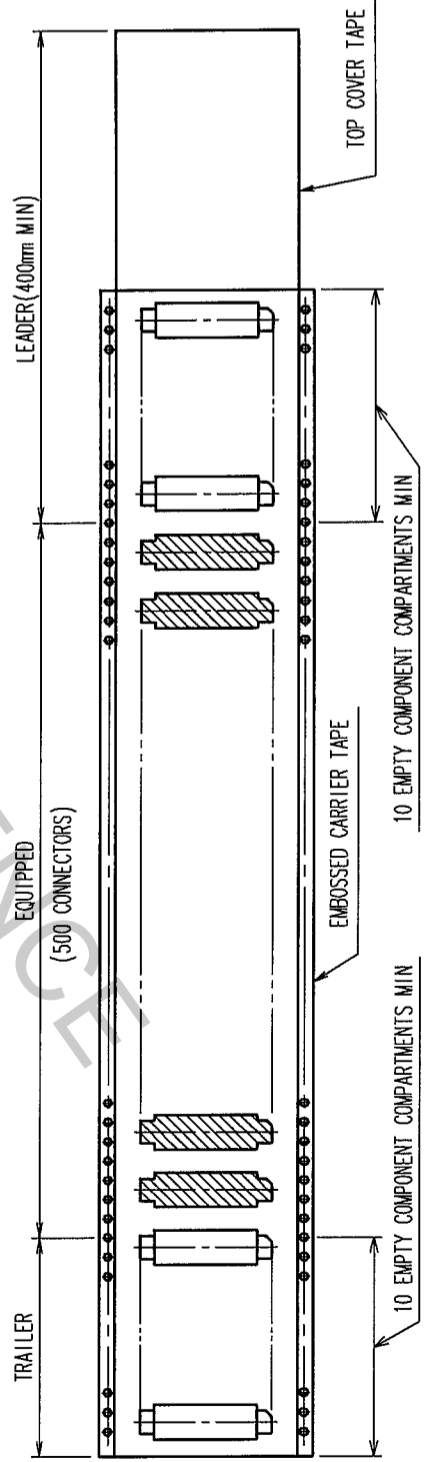


UNREELING DIRECTION



△ DIMENSION TABLE OF EMBOSSED CARRIER TAPE AND REEL.

PART No.	CODE No.	2	3	A	B	C	D	E	F
FX8C-60P-SV4(93)	CL578-0581-8-93	60	×	20	25	20.2	40.4	44	44.4
FX8C-80P-SV4(93)	CL578-0583-3-93	80	×	26	31	20.2	40.4	44	44.4
FX8C-100P-SV4(93)	CL578-0585-9-93	100	×	32	37	26.2	52.4	56	56.4
FX8C-120P-SV4(93)	CL578-0586-1-93	120	—	38	43	26.2	52.4	56	56.4
FX8C-140P-SV4(93)	CL578-0587-4-93	140	×	44	49	34.2	68.4	72	72.4



NOTE 1. 1 REEL : 500 CONNECTORS
 2. NUMBER OF CONTACTS
 3. EXISTENCE
 X : PRODUCED, - : NO PRODUCED

NO.	MATERIAL	FINISH, REMARKS	NO.	MATERIAL	FINISH, REMARKS	DESIGNED	CHECKED	APPROVED	RELEASED
2	POLYESTER	(TOP COVER TAPE)	4	POLYIMIDE	(TAPE FOR VACUUM PICKUP)				
1	PS	(EMBOSSED CARRIER TAPE)	3		(CONNECTOR)				
CODE NO. (OLD)		DRAWN		DESIGNED		CHECKED		APPROVED	
CL		S. SUZUKI		K. NAKAMURA		H. OKAWA		Y. YOSHIMURA	
		03.02.04		03.02.12		03.02.14		03.02.15	
DRAWING NO.		PART NO.							
EDC3-151089-23		FX8C-**P-SV4(93)							
SCALE		CODE NO.							
FREE		HIROSE ELECTRIC CO., LTD							
UNITS		CL578							
ITM									

TO
 PCK