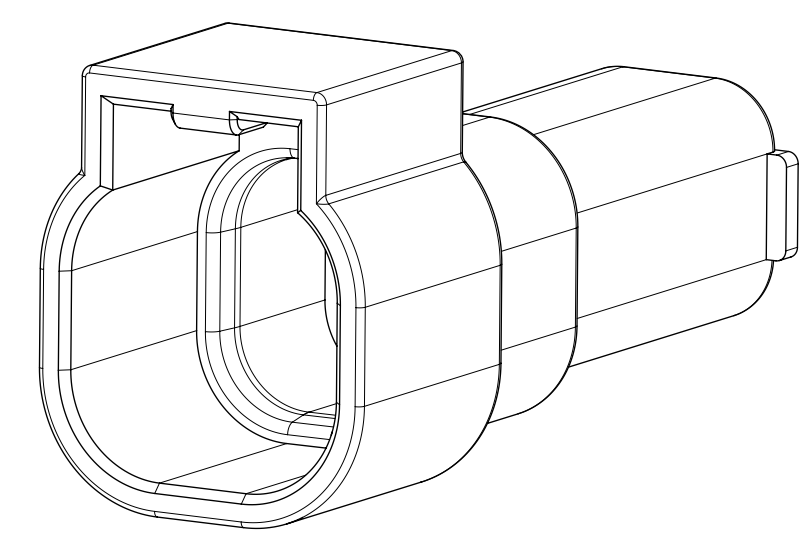
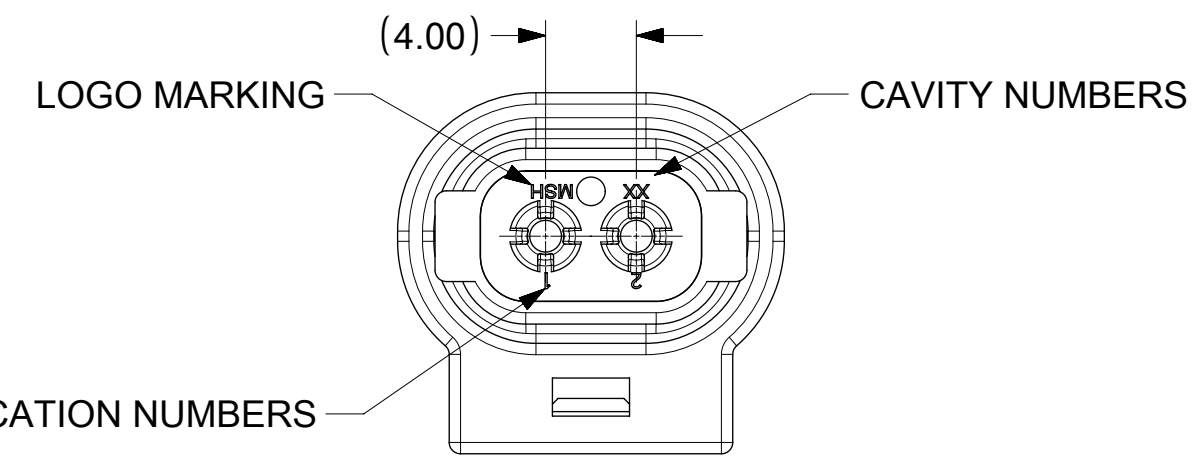
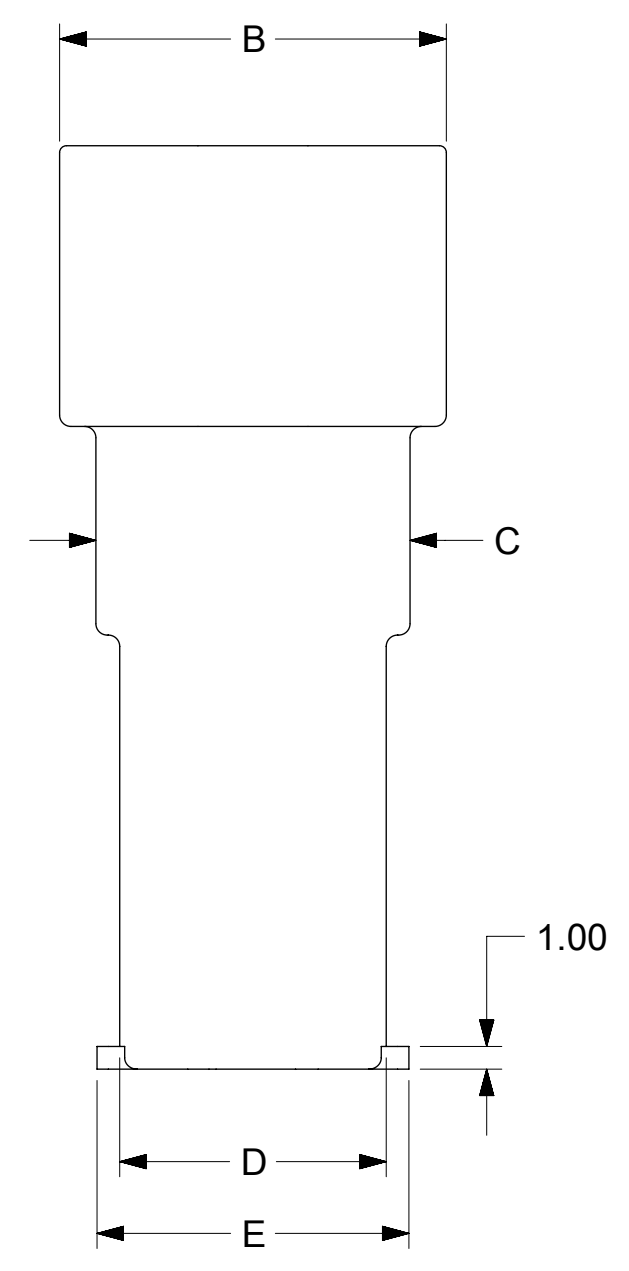
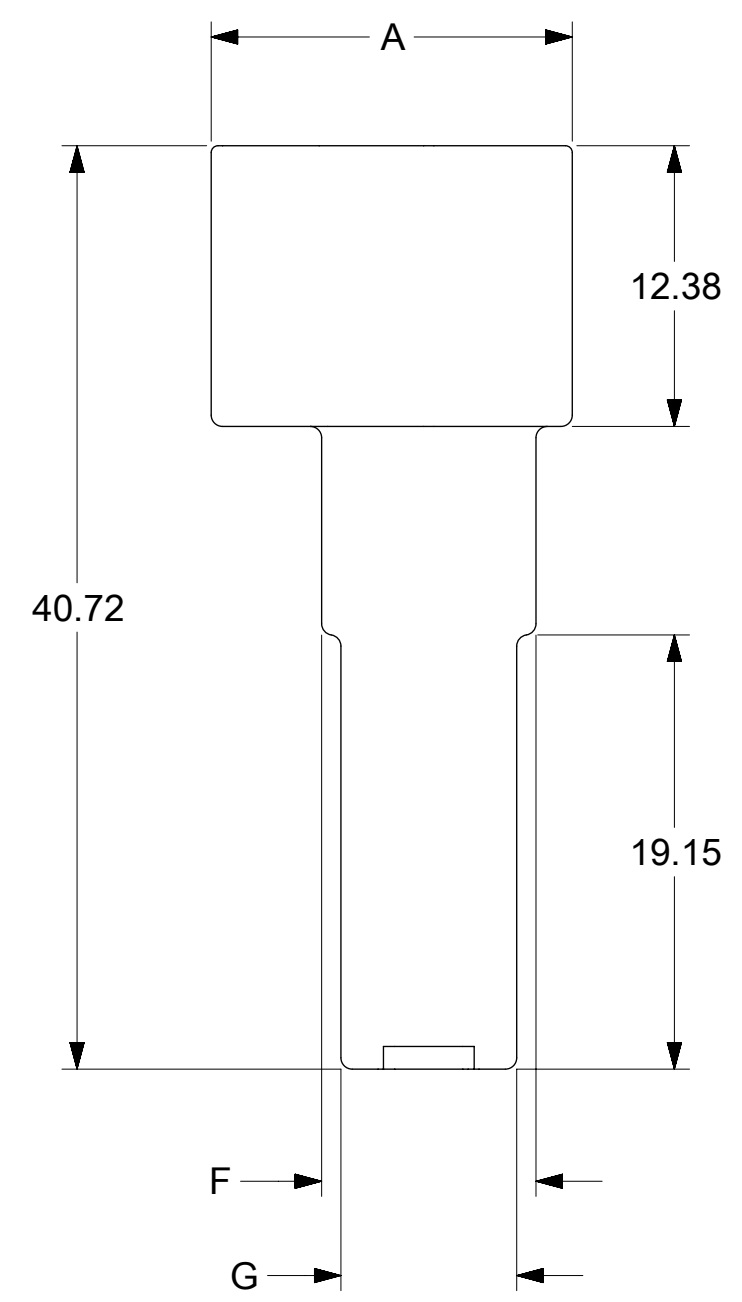


ISOMETRIC VIEW  
CIRCUIT 1X2



ISOMETRIC VIEW  
CIRCUIT 2X2



- NOTES:
1. HOUSING MATERIAL PP UL94 V-0, COLOR:NATURAL
  2. SEALING MATERIAL: TPE, COLOR:BLACK
  3. MATES WITH RECEPTACLE HOUSING SERIES 172878
  4. HOUSING DESIGNED TO BE USED WITH TERMINAL SERIES 173041
  5. COSMETIC SPECIFICATION PS-45499-002 CLASS 'C'
  6. PRODUCT SPECIFICATION: 1728770001-PS
  7. PACKAGING SPECIFICATION: PK-172877-0001
  8. CAVITY NUMBERS IDENTIFIED ON HOUSING (ON SEAL SURFACE)
  9. VOID PLUG TO BE USED WITH PLUG HOUSING SERIES 173061

PART NUMBER LIST

PART NUMBER	CIRCUIT SIZE	DIM A	DIM B	DIM C	DIM D	DIM E	DIM F	DIM G
172877-0002	1X2	15.92	17.05	13.85	11.75	12.75	9.45	7.75
172877-0040	2X2	19.92	16.65	13.45	10.75	12.75	13.45	10.75

THIS DRAWING CONTAINS INFORMATION THAT IS PROPRIETARY TO MOLEX ELECTRONIC TECHNOLOGIES, LLC AND SHOULD NOT BE USED WITHOUT WRITTEN PERMISSION									
REVISED-RSD TO SD EC NO: 167615 DRWN: MBELLE CHKD: MBELLE REV APPR: ISHWARG	2017/11/03	DRWN BY	DATE	GENERAL TOLERANCES (UNLESS SPECIFIED)		DIMENSION UNITS	SCALE	<b>molex</b> <sup>®</sup>	
	2017/11/03	DATE	DATE	(UNLESS SPECIFIED)		mm	3:1		
	2017/11/04	SS06	2015/02/23	ANGULAR TOL ± 0.5 °		DRWN BY		PLUG HOUSING WITH INTEGRATED SEAL VALUSEAL	
		SS06	2015/12/08	4 PLACES ±		DATE			
		SS06	2015/12/08	3 PLACES ±		DRWN BY		PRODUCT CUSTOMER DRAWING	
	RHODGE	2015/04/06	2 PLACES ± 0.25		DATE				
	RHODGE	2015/04/06	1 PLACE ± 0.36		SERIES		MATERIAL NUMBER		
	RHODGE	2015/04/06	0 PLACES ±		CUSTOMER		GENERAL MARKET		
	A2	THIRD ANGLE PROJECTION		DRAFT WHERE APPLICABLE MUST REMAIN WITHIN DIMENSIONS		DRAWING SIZE		DOCUMENT NUMBER	
	A2	THIRD ANGLE PROJECTION		DRAFT WHERE APPLICABLE MUST REMAIN WITHIN DIMENSIONS		A2		SD-172877-0001	
	A2	THIRD ANGLE PROJECTION		DRAFT WHERE APPLICABLE MUST REMAIN WITHIN DIMENSIONS		A2		DOC TYPE PSD	
	A2	THIRD ANGLE PROJECTION		DRAFT WHERE APPLICABLE MUST REMAIN WITHIN DIMENSIONS		A2		DOC PART 000	
	A2	THIRD ANGLE PROJECTION		DRAFT WHERE APPLICABLE MUST REMAIN WITHIN DIMENSIONS		A2		SHEET NUMBER 1 OF 1	