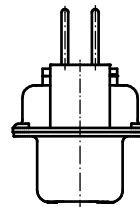
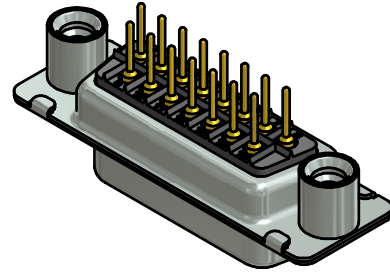
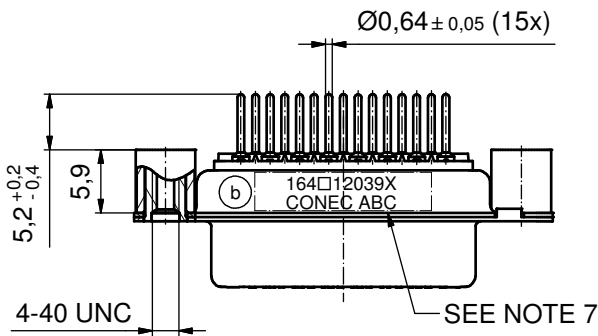
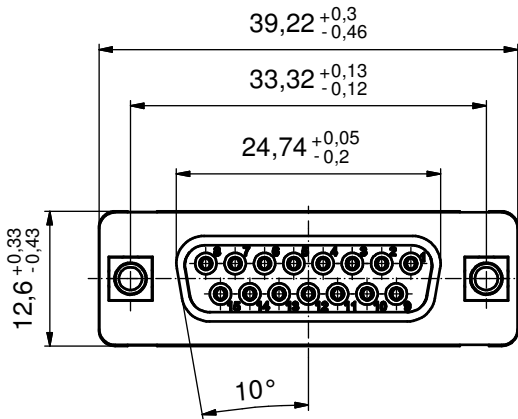
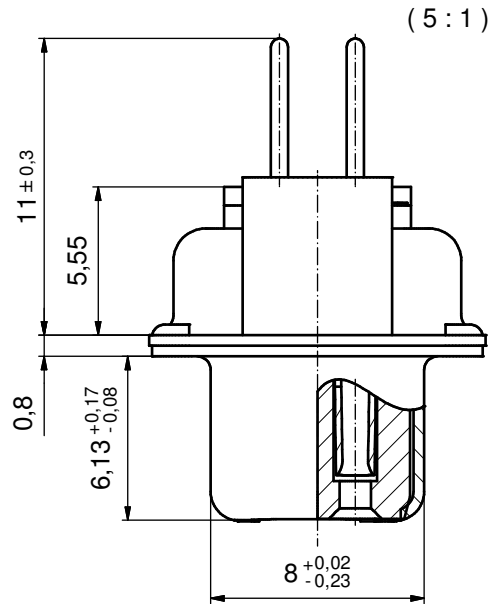


P.B.C. HOLE DRILLINGS
(P.B.C. TOP SIDE)



NOTES:

1. METALSHELLS: STEEL; min. 315µm TIN over 40-80µm NICKEL
2. INSULATORS: PBT GF UL 94 V-0, BLACK
3. CONTACTS: COPPER ALLOY; PLATING (SEE PART NO.):
 - PLEASE ADD A for GOLD FLASH over NICKEL (PREFERRED TYPE)
 - PLEASE ADD B for 20µm HARD GOLD over min. 50µm NICKEL
 - PLEASE ADD C for 30µm HARD GOLD over min. 50µm NICKEL
4. THREADED REAR SPACERS: COPPER ALLOY; min. 200µm TIN over 80µm NICKEL
5. SLEEVES: COPPER ALLOY; min. 200µm TIN over 80µm NICKEL
6. MAXIMUM TORQUE VALUE FOR THREAD: 6 in.LB
7. CONNECTOR IS PART MARKED: 164□12039X CONEC ABC (see note 3)

RoHS compliant

THIS DRAWING MAY NOT BE COPIED OR REPRODUCED IN ANY WAY, AND MAY NOT BE PASSED ON TO A THIRD PARTY WITHOUT WRITTEN PERMISSION. OWNERSHIP AND COPYRIGHT OF CONEC GmbH

DO NOT ALTER CAD DRAWING BY HAND

		tolerance		dim. in mm	
		date	name		
		drawn	21.01.15	Henneboel	
		appd.	21.01.15	Lehmenkühler	
		norm			
		d-old	16K1A904/16K2A904		
4 x b	Ä5499	21.01.2015	K.H.		
a	Original				
rev.	description	date	name		

scale:	2:1 (5:1)	
material:	see notes	
title:	D-SUB FEMALE 15pos. SOLDER PIN STRAIGHT with threaded rear spacer	
dwg no:		DIN-A3
	(b) 16K1A3575	sh: 1
part no:	(b) 164□12039X	(see note 3)