

H G F E D C B A

4

3

2

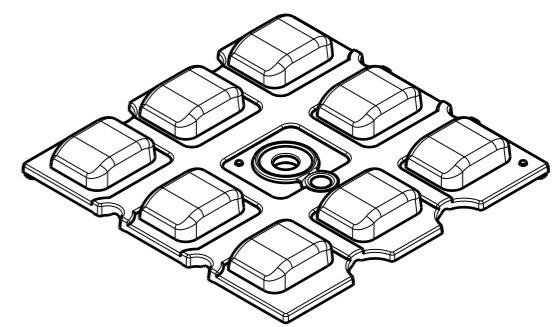
1

4

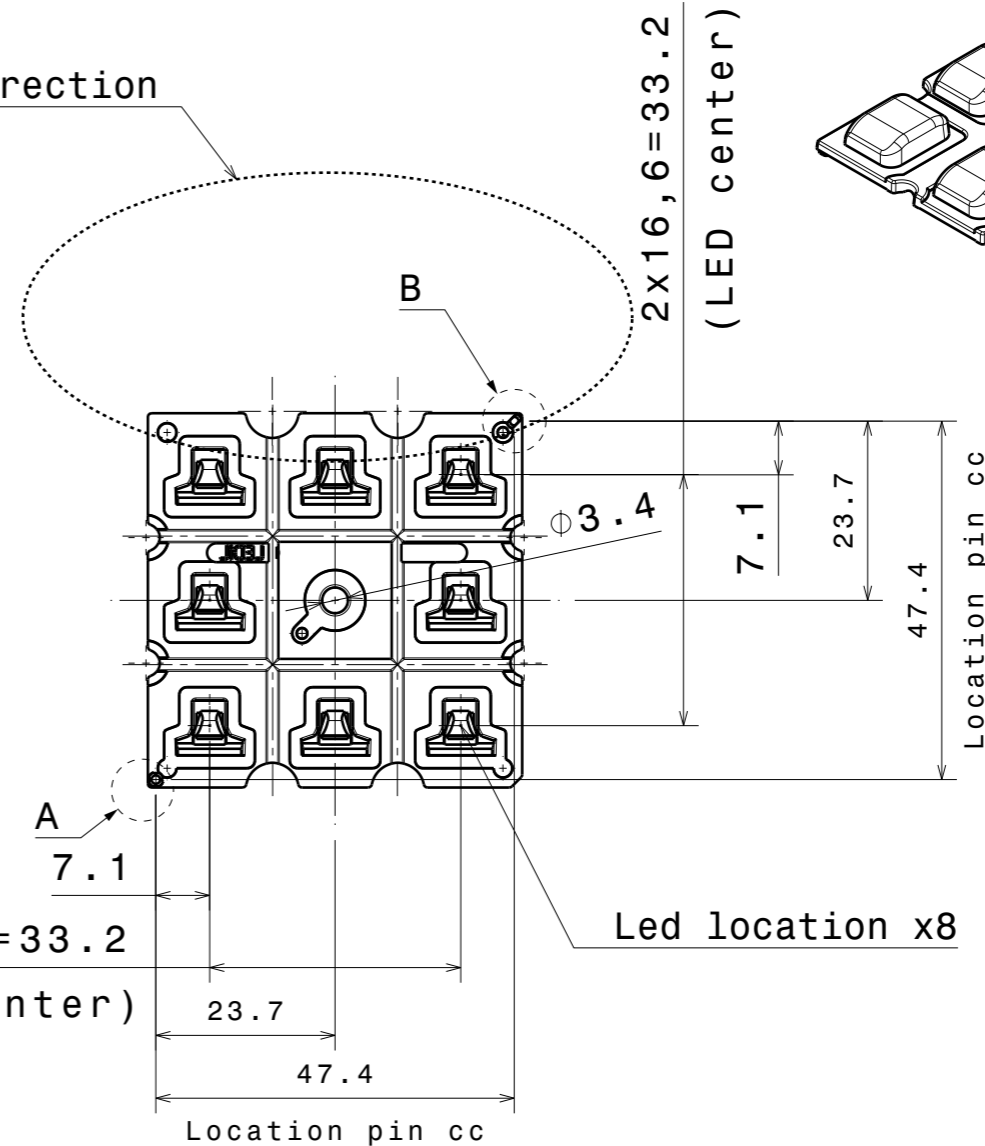
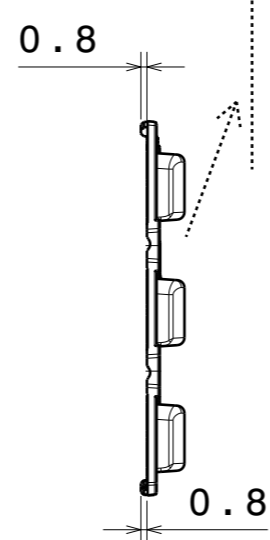
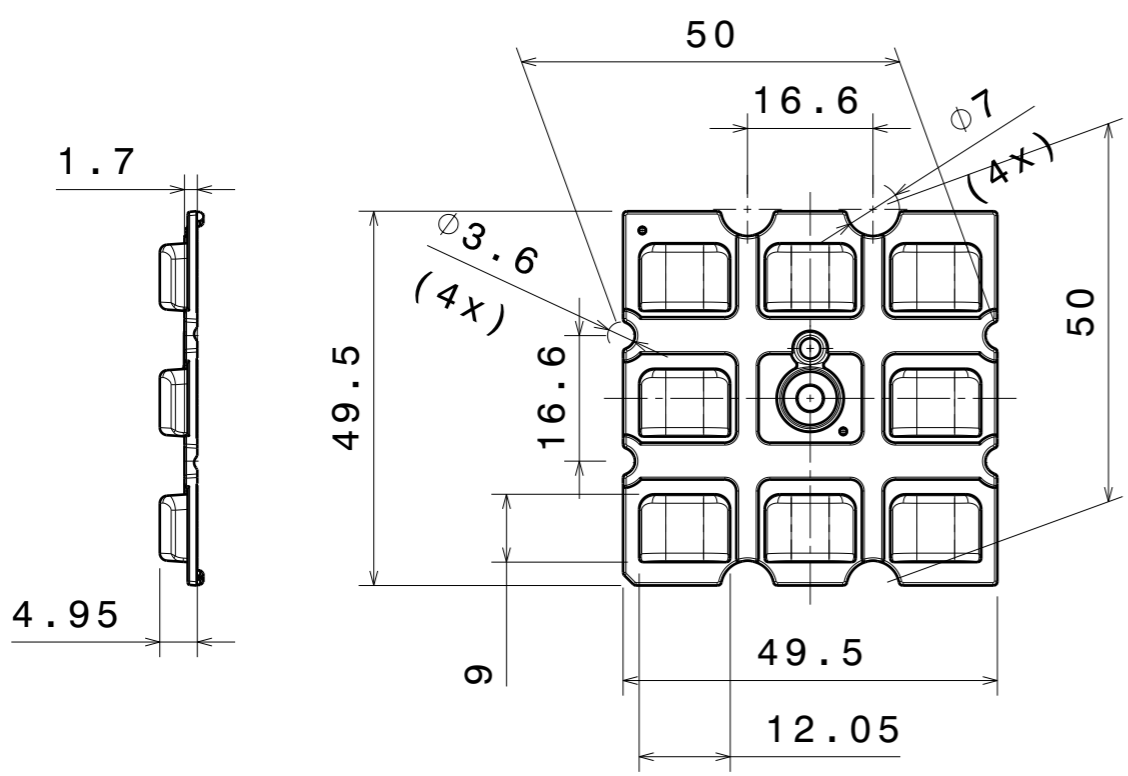
3

2

1

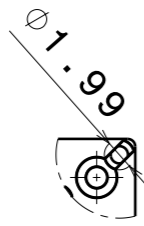


Light direction

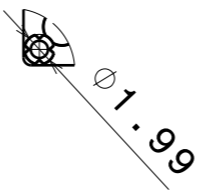


Note:  
Center screw recommended fixing torque 0,6Nm

Detail B  
Scale: 2:1  
Location Pin



Detail A  
Scale: 2:1  
Location Pin



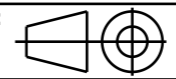
2x Min. 2.00mm hole to pcb

INDEX	PART NO	DESCRIPTION	MATERIAL	COLOUR
1	C15982	STRADELLA-8-HV-T3	PMMA	clear

Tolerances if not otherwise shown  
According to DIN ISO 2768-1  
Linear measures:  
up to 30mm class M, otherwise class C  
According to DIN ISO 2768-2  
Form and position: class L



FIRST ANGLE PROJECTION:



DRAWING TITLE  
**C15982\_STRADELLA-8-HV-T3**

This drawing is the property of LEDiL Oy. It may not be reproduced, copied or communicated without a written agreement with LEDiL Oy.

SIZE	PART NUMBER
A3	C15982

SCALE	1:1	WEIGHT	SHEET	1/1
-------	-----	--------	-------	-----

H G B A