

REVISIONS				
EC NO	DATE	REV	DESCRIPTION	CHANGER
	2016.12.07	A	INITIAL RELEASE.	DICK

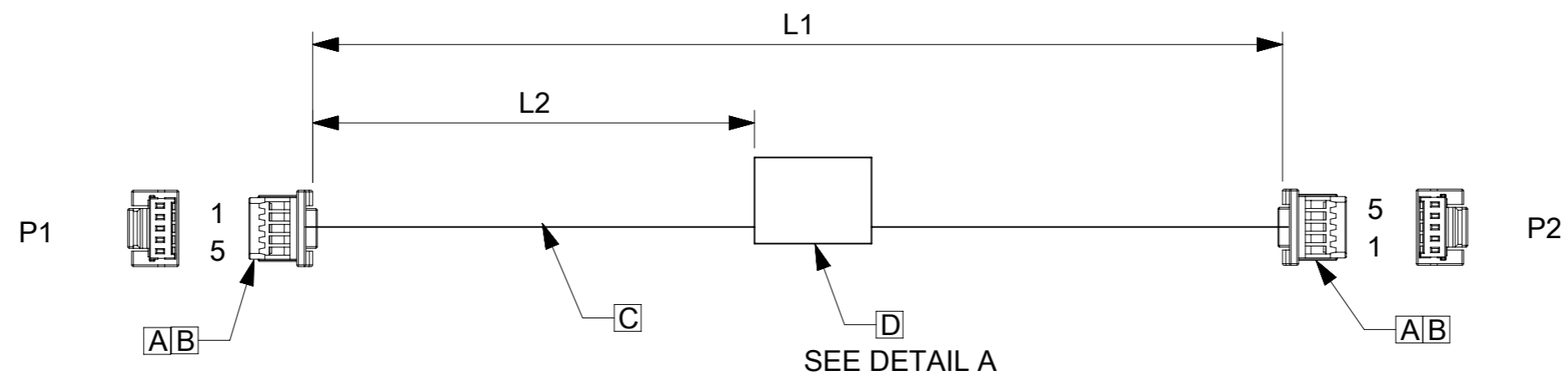


TABLE			
PART NUMBER	L1	L2	TITLE
151330500	50±5	18REF	Pico-Clasp 5 Circuit 50MM
151330501	100±8	44REF	Pico-Clasp 5 Circuit 100MM
151330502	150±10	69REF	Pico-Clasp 5 Circuit 150MM
151330503	300±10	144REF	Pico-Clasp 5 Circuit 300MM
151330505	450±15	219REF	Pico-Clasp 5 Circuit 450MM
151330506	600±15	294REF	Pico-Clasp 5 Circuit 600MM

P/N:15133XXXX—MOLEX PN  
MOLEX

DETAIL A

NOTES

1. THIS PRODUCT MUST MEET 2011/65/EU ROHS COMPLIANCE.  
此产品需符合 2011/65/EU ROHS环保要求.
2. ELECTRICAL PERFORMANCE REFER TO ES-000.  
电气特性参考ES-000.
3. LABEL TEXT MUST BE 2mm MAX. IN HEIGHT WITH ARIAL FONT.  
标签字高最大2mm,字体ARIAL.

D	Blank label 12.7x35.5mm (WHT:12.7mm) HF		1
C	28AWG;PLATED;PVC;BK;OD=0.60MM;UL1571	A/R	
B	1.0 WtB Crimp Rec Term Chn, Tin Plating		10
A	1.0 W/B 1-Row Rec Hsg Positive Lock 5Ckt		2
ITEM	DESCRIPTION	L(MM)	QTY

WIRING CHART		
P1	P2	COLOR
1	5	BLACK
2	4	BLACK
3	3	BLACK
4	2	BLACK
5	1	BLACK

THIS DRAWING CONTAINS INFORMATION THAT IS PROPRIETARY TO MOLEX ELECTRONIC TECHNOLOGIES, LLC AND SHOULD NOT BE USED WITHOUT WRITTEN PERMISSION									
<b>QUALITY SYMBOLS</b> 	2016/12/06 2016/12/09 2016/12/11  EC NO: 111343 DRWN: WLXIE CHK'D: DHUANG16 APPR: YXZOU	<b>GENERAL TOLERANCES (UNLESS SPECIFIED)</b> ANGULAR TOL ± °		DIMENSION UNITS <b>MM</b>	SCALE <b>NTS</b>	  <b>SEE TABLE</b>  <b>PRODUCT CUSTOMER DRAWING</b>			
		4 PLACES ±	DRWN BY <b>WLXIE</b>	DATE <b>2016/11/17</b>					
		3 PLACES ±	CHK'D BY <b>DHUANG16</b>	DATE <b>2016/12/06</b>					
		2 PLACES ±	APPR BY <b>YXZOU</b>	DATE <b>2016/12/11</b>					
1 PLACE ±	DRAFT WHERE APPLICABLE MUST REMAIN WITHIN DIMENSIONS		DRAWING SIZE <b>A3</b>	THIRD ANGLE PROJECTION 		SERIES <b>201234</b>	MATERIAL NUMBER <b>SEE TABLE</b>	CUSTOMER <b>GENERAL MARKET</b>	
0 PLACES ±					DOCUMENT NUMBER <b>2012341665</b>	DOC TYPE <b>PSD</b>	DOC PART <b>000</b>	SHEET NUMBER <b>1 OF 1</b>	