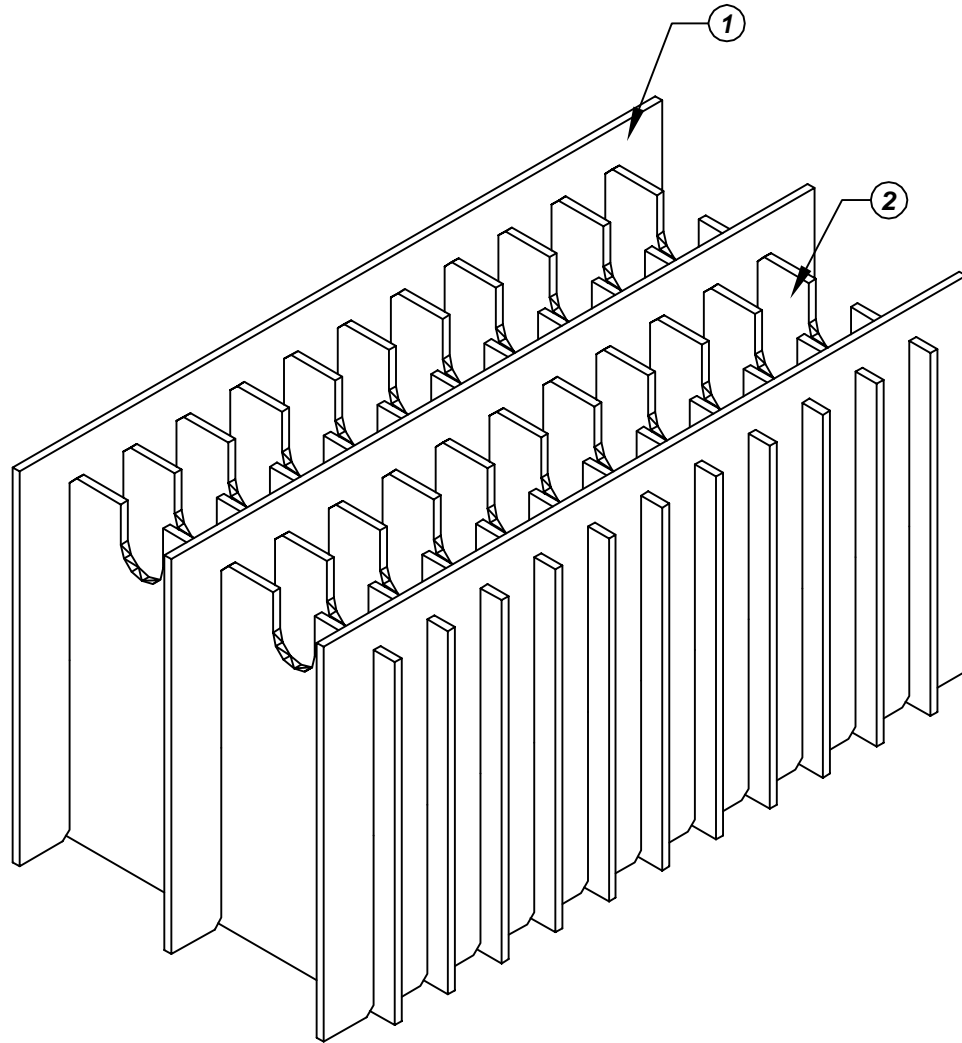
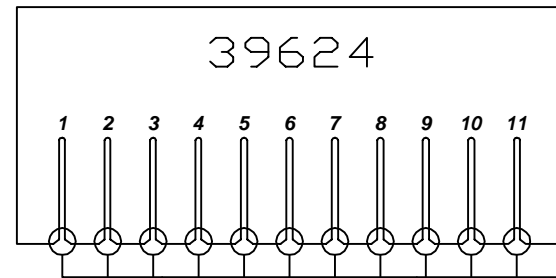


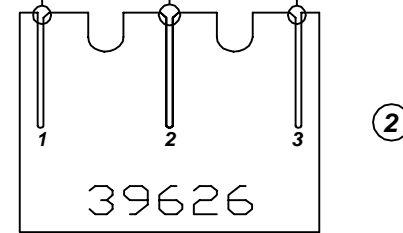
# Assembly Instructions for - 37183



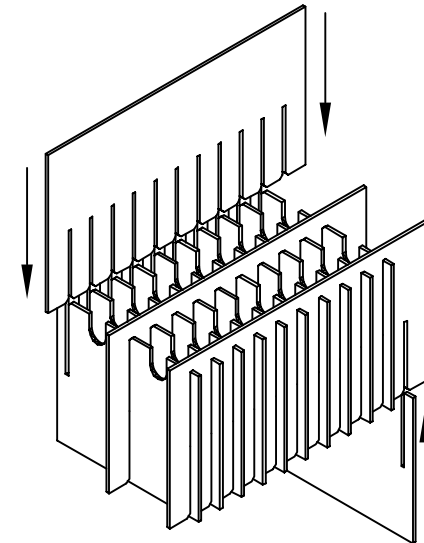
Folded Long Partition



Use only the circled slots for partition assembly



Folded Short Partition



Made in America

F/N ①	Part # 39624	Dimensions: 24-3/4" x 23"	Description: 404-HLP Long Partition	Qty: 3
F/N ②	Part # 39626	Dimensions: 22-3/4" x 12-5/8"	Description: 404-HSP Short Partition	Qty: 11

## 37183 - 24 Cell Inplant Handler Cell Size - 12-5/8" x 5-3/16" x 1-5/8"

Notes:  
For use with the following storage container & lid:  
37504 - Storage Container  
37552 - Lid

PROTEKTIVE PAK  
13520 MONTE VISTA AVENUE, CHINO, CA 91710  
PHONE (909) 627-2578, FAX (909) 363-7331  
ProtectivePak.com



DRAWING NUMBER  
**IPH-37183**

DATE  
Nov.  
2007