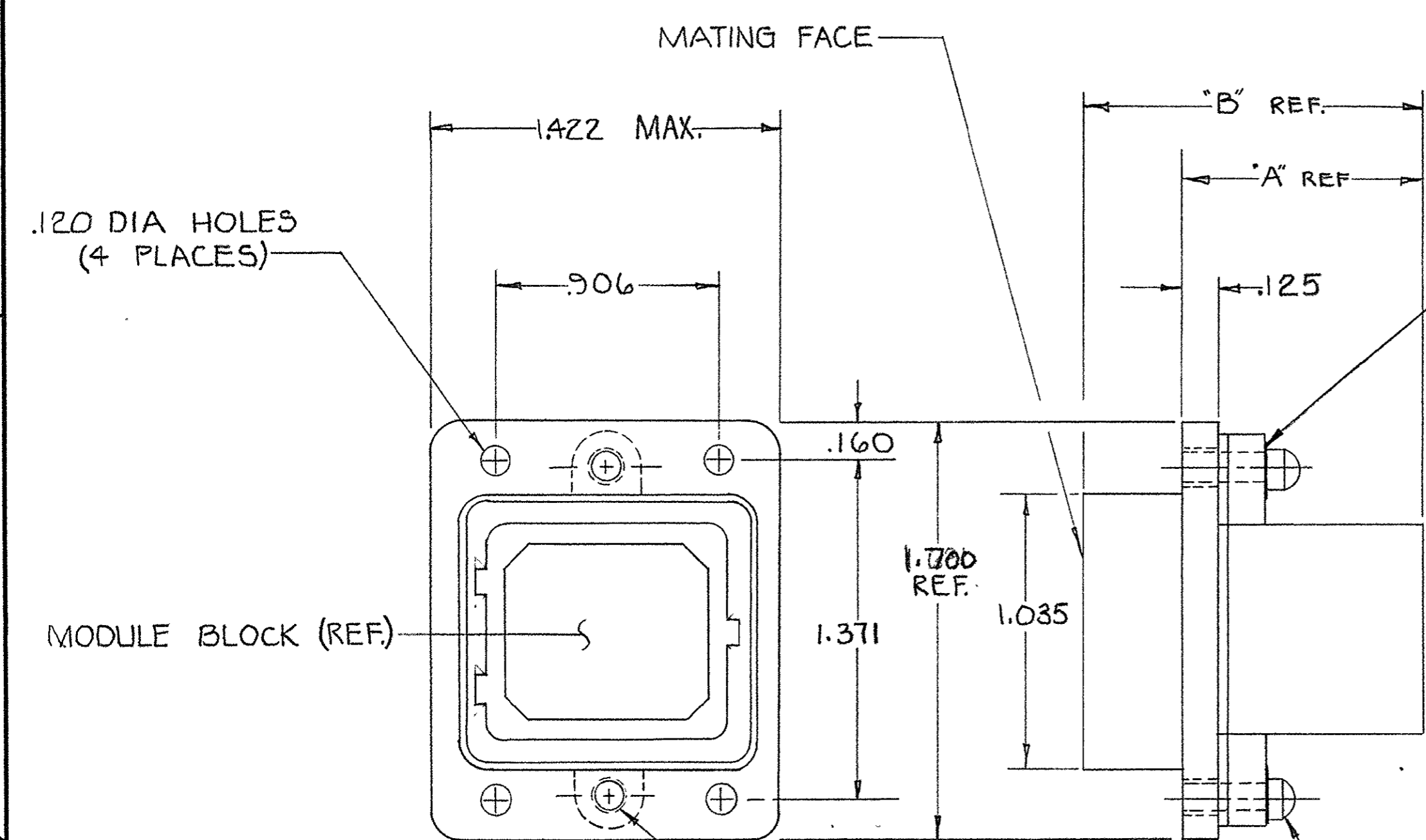
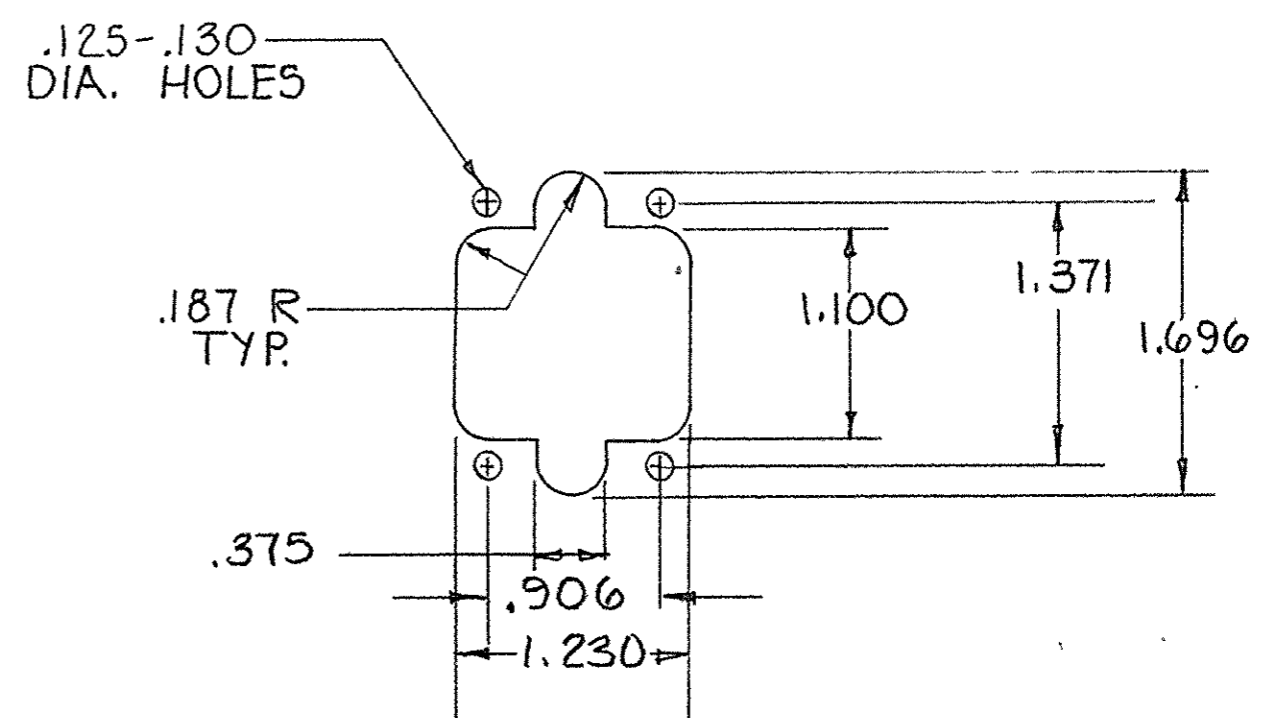


© 1963 BY AMP INCORPORATED. ALL RIGHTS RESERVED. AMP PRODUCTS COVERED BY PATENTS AND/OR PATENTS PENDING. APPROVED PER GOVT CONTRACT NO.

REVISIONS				
ZONE	LTR	DESCRIPTION	DATE	APPROVED
G		REDRAWN WITHOUT CHANGE ECN Y128	1-27-66	YH
H		REVISE SHEET TOLERANCE PER ECN Z-632	7-15-68	WJL/0800
J		ADDED -5 PER ECN A-491	4-9-70	BNY/SJS
J1		REV. PER ECN D-644	8-17-75	WJL
K		REV. / ECN H-220	8-14-80	EJE
L		OBSOLETE -2 & -5 PER ECN R-2604	2-23-87	SDG/DB
M		REV PER DF-2235	9-5-89	TW
N		REV PER OH19-0706-04	10-04	CT/DE
P		REV PER ECP-05-001412	05/05	AA/R.F.
R		REV PER ECP-05-005359	11-05	PY/DE

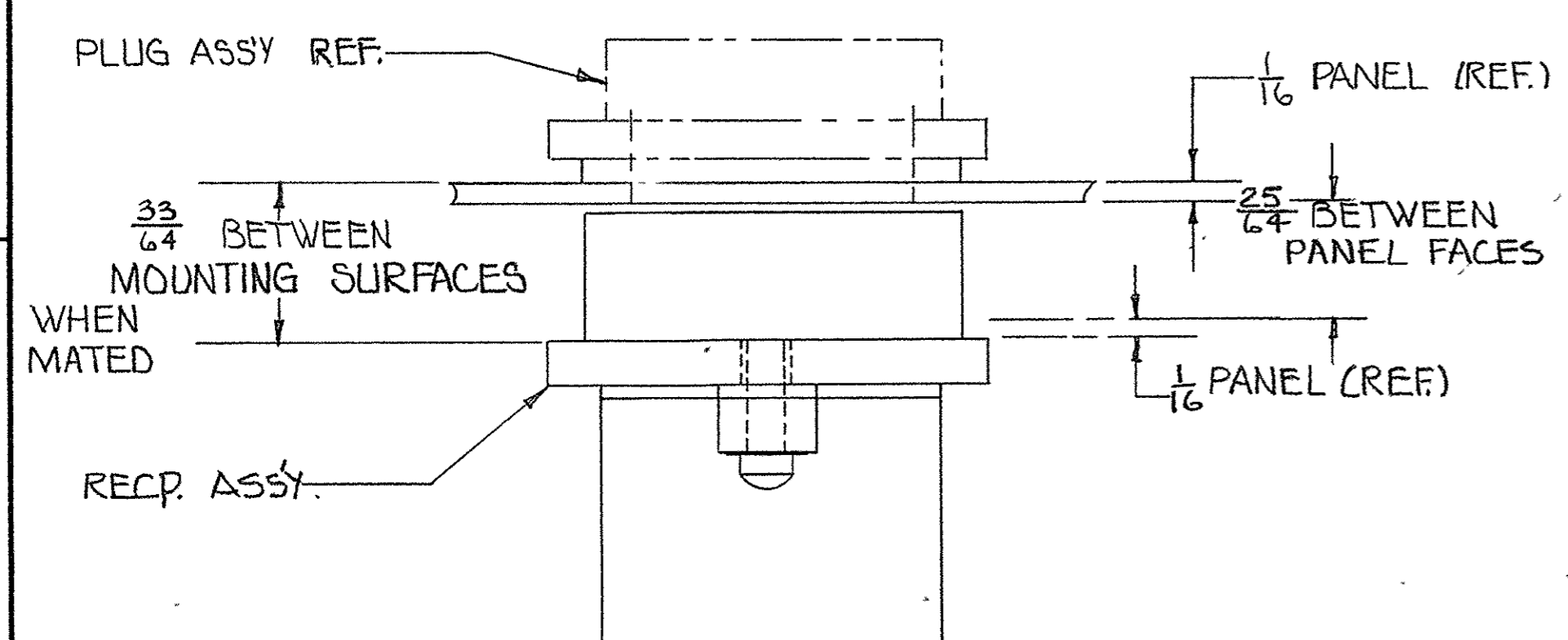


△ FINISH: PLATED ELECTROLESS NICKEL PER SAE-AMS-C-26074 .000400-.000800 THK (NO INTENTIONAL ADDITIONS OF LEAD OR CADMIUM PER DFE STD 230-700).



PANEL CUTOUT FULL SCALE

ZINC PLATED STEEL SCREWS (2) FOR -1 THRU -4
 PASSIVATED STAINLESS STEEL SCREWS (2) FOR 5-1, 5-3 & 5-4
 PHILLIPS HEAD SCREWS FOR -1, -2 & 5-1 ONLY
 FILLISTER HEAD SCREWS FOR -3, -4, 5-3 & 5-4



ASSY. NO.	A	FINISH	B
SUPERSEDED BY 5-202279-1	202279-1	1.001 ZINC PLATE PER ASTM-B-633 TYPE II CLASS 3 COLORLESS SUPPLEMENTARY CHROMATE	1.509
	202279-2	1.001 OLIVE DRAB ZINC PLATE PER ASTM-B-633 CLASS 3 TYPE II	1.509
SUPERSEDED BY 5-202279-3	202279-3	1.001 FINISH SAME AS -1	1.509
SUPERSEDED BY 5-202279-4	202279-4	.595 FINISH SAME AS -1	1.103
	202279-5	1.001 FINISH SAME AS -1	1.509
	5-202279-1	1.001 SEE NOTE △	1.509
	5-202279-3	1.001 SEE NOTE △	1.509
	5-202279-4	.595 SEE NOTE △	1.103

UNLESS OTHERWISE SPECIFIED DIMENSIONS ARE IN INCHES TOLERANCES ON FRACTIONS DECIMALS ANGLES ± 1/64 ± .005 ± #		CONTRACT NO.		AMP INCORPORATED HARRISBURG, PENNSYLVANIA	
MATERIAL SHELL-DIE CAST ALUMINUM		DR R. Q. Baker	DATE 1-27-66	RECEPTACLE ASSEMBLY, MODULE (ONE BLOCK) SERIES "G"	
HEAT TREAT		CHK J. S. Weiste	DATE 3/1/66	SIZE C CODE IDENT NO 00779 NUMBER 202279	
FINISH SEE TABLE		DSGN ENGR J. J. Kelly	DATE 2-3-66	SCALE 2:1 WT CALC ACTUAL SHEET 1 OF 1	
		APP'D Z. S. McElroy, Jr.	DATE 2-3-66	CUSTOMER DRAWING	

AMP INFO LOC PRINTED DF R