

# DATENBLATT / DATA SHEET

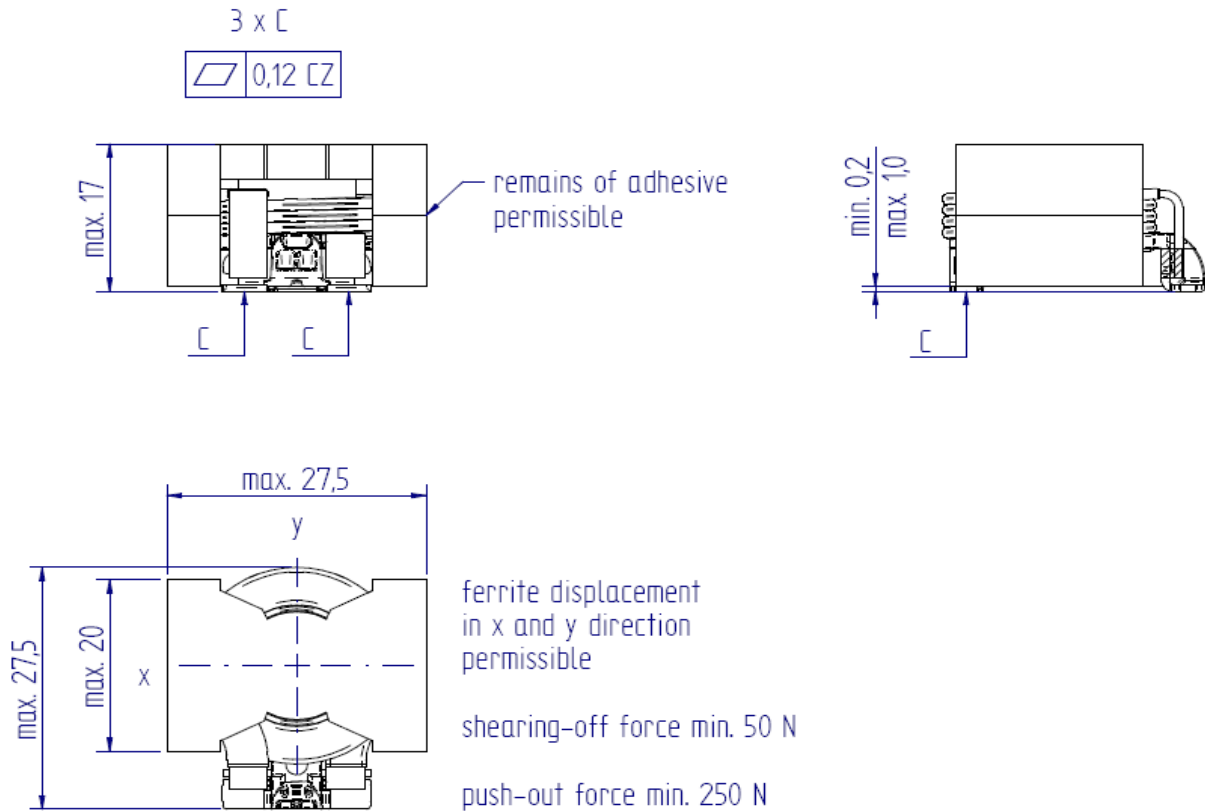


<b>Bezeichnung:</b> <i>description:</i>	WE-FLAT-I®		<b>Page:</b>	1 / 3
<b>Kunden Zg. Nr.:</b> <i>customer drawing no.:</i>	N/A	<b>WE iBE Bauteile-Nr.:</b> <i>WE iBE component no.:</i>	701 014 470	
<b>DRW Referenz-Nr.:</b> <i>DRW reference no.:</i>	N/A	<b>Ausgabedatum:</b> <i>release date:</i>	11.04.2017	

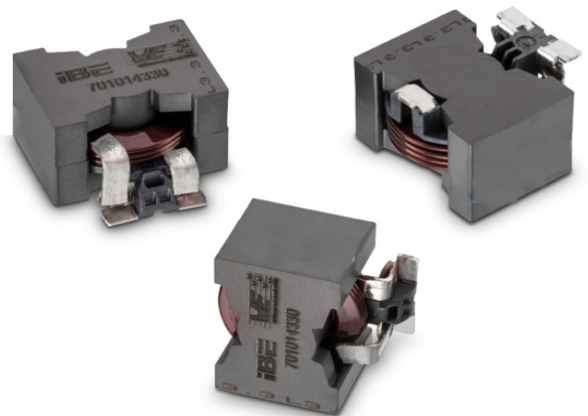
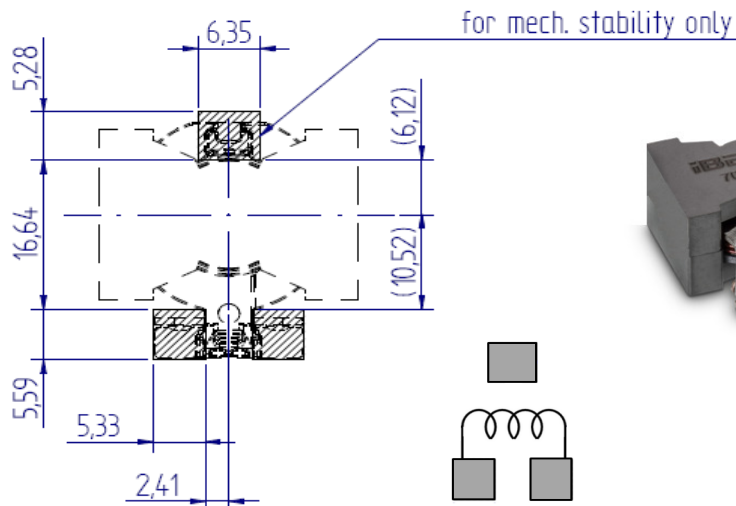
**Product values:**



**Mechanical Dimensions (in mm):**



**recommend pad layout**



- Zeichnung nicht maßstabsgetreu, alle Maße in mm / Drawing not scaled, all dimensions in mm  
 - Das abgebildete Produktfoto kann von der gewählten Produktvariante abweichen / The pictured product may not correspond to the selected product configuration

# DATENBLATT / DATA SHEET

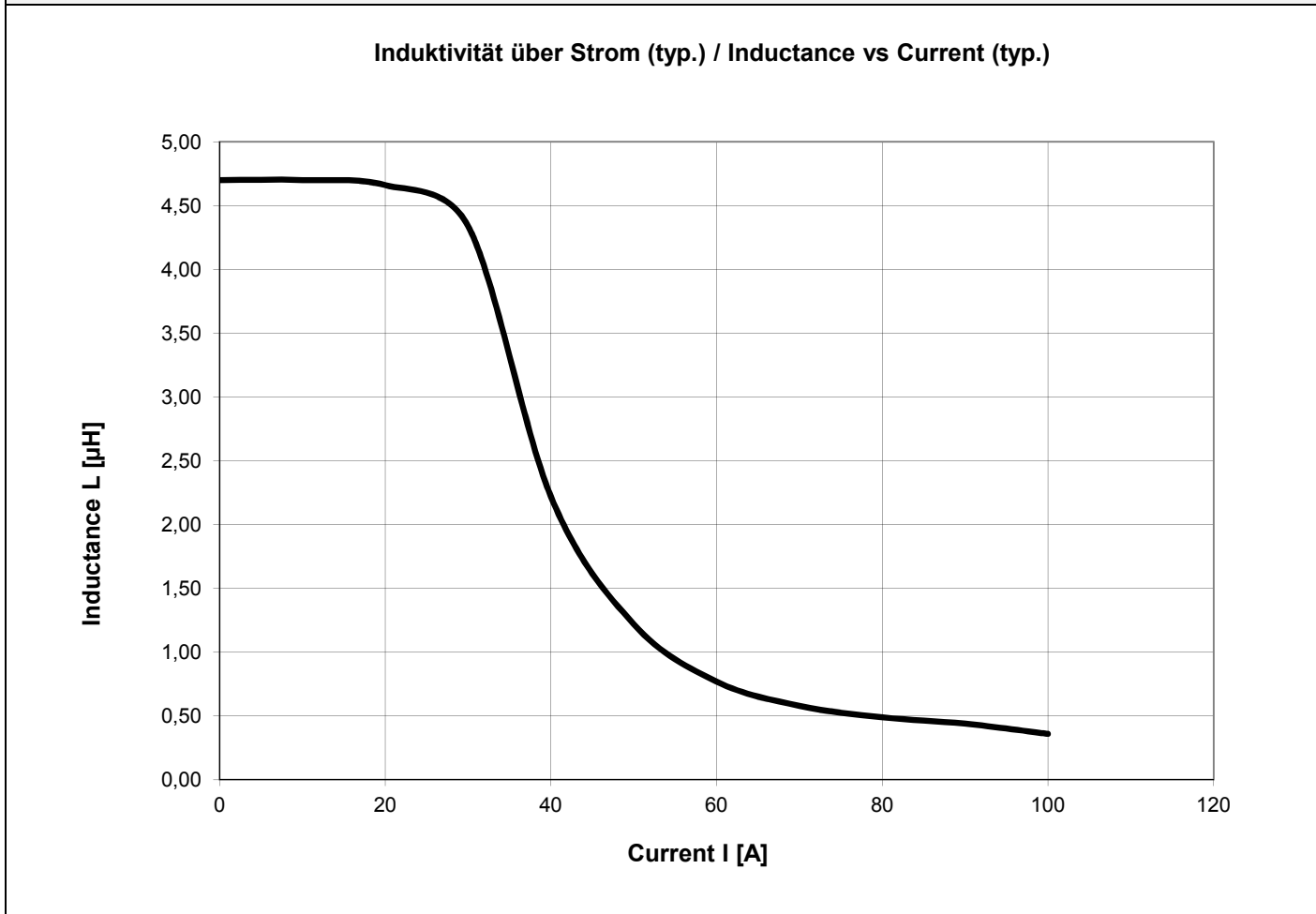


<b>Bezeichnung:</b> <b>description:</b>	WE-FLAT-I®		<b>Page:</b> 2 / 3
<b>Kunden Zg. Nr.:</b> <b>customer drawing no.:</b>	N/A	<b>WE iBE Bauteile-Nr.:</b> <b>WE iBE component no.:</b>	701 014 470
<b>DRW Referenz-Nr.:</b> <b>DRW reference no.:</b>	N/A	<b>Ausgabedatum:</b> <b>release date:</b>	11.04.2017

Electrical Specification:					
Parameter	@	Value	Tolerance	Unit	Test Condition
Induktivität $L_0$ : <i>Inductance <math>L_0</math>:</i>	20°C	4,7	±15%	µH	100 kHz / 500 mV
DC-Widerstand $R_{DC}$ : <i>DC-resistance <math>R_{DC}</math>:</i>	20°C	1,1	±10%	mΩ	
$I_R$		35	max.	A	40 K self heating
$I_{sat}$		30	typical	A	$ \Delta L/L  < 10\%$
Betriebstemperatur: <i>Operating temperature:</i>		-40 to +150°C		°C	including self heating

Spule: <i>Coil:</i>	according to DIN EN 60317-29
Lötpad: <i>Solder pad:</i>	Surface finish material: 100% Sn, no Ni layer
Kern: <i>Core:</i>	PQ26/16 - Ferrite Material: MnZn
Klebung: <i>Glueing:</i>	coil and spacer securely fixed to core
Product remarks & Applicable documents	Solvents may influence the product marking Cutting area untinned Three-points fixation on PCB  ISM0100010 (General storage conditions) ISM0100011 (General processing recommendations) IS60100017 (Failure catalog WE-PQ cores)

## Inductance vs. Current (typical):

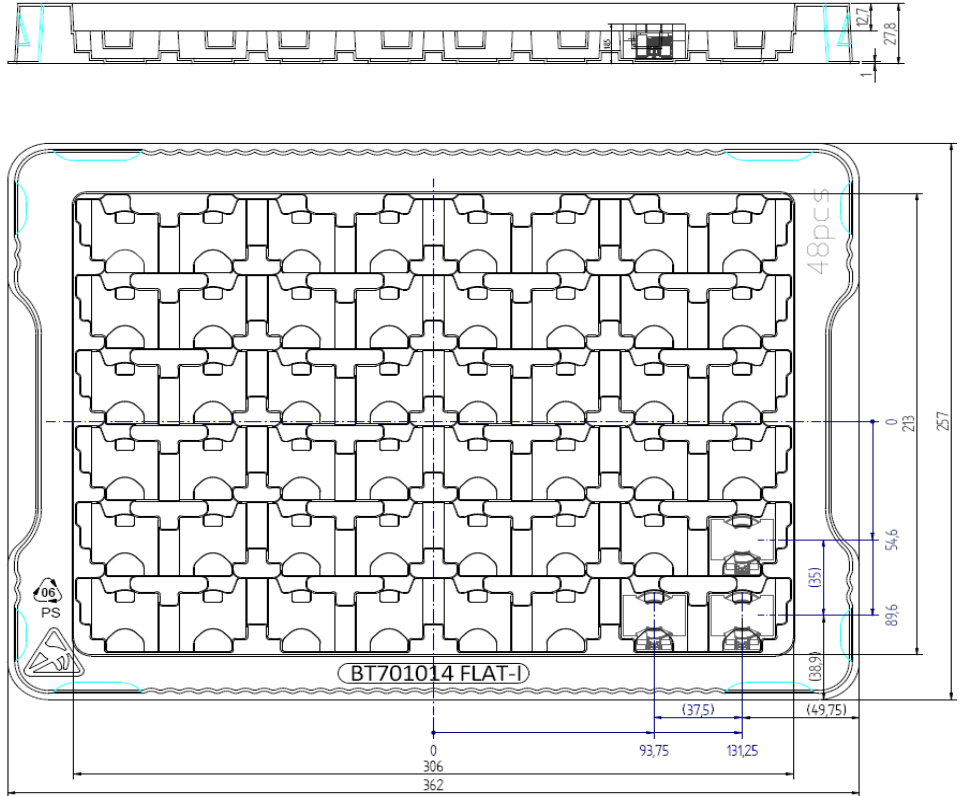


# DATENBLATT / DATA SHEET



<b>Bezeichnung:</b> <i>description:</i>	WE-FLAT-I®		<b>Page:</b>	3 / 3
<b>Kunden Zg. Nr.:</b> <i>customer drawing no.:</i>	N/A	<b>WE iBE Bauteile-Nr.:</b> <i>WE iBE component no.:</i>	701 014 470	
<b>DRW Referenz-Nr.:</b> <i>DRW reference no.:</i>	N/A	<b>Ausgabedatum:</b> <i>release date:</i>	11.04.2017	

## Packaging specification:



### packaging unit:

48 pieces per tray (BT701014 FLAT-I)  
5 trays per cardboard box (4 filled + 1 empty)  
192 pieces per cardboard box

### loading unit:

Europallet 1200 x 800 x 160 mm  
40 cardboard boxes per pallet  
7680 pieces per pallet

## Label specification:



Customer: XXXXX  
Part No.: XXXX  
Quantity: XXXX  
Date Code: YYYYMMDD  
Exp. Date: YYYYMMDD  
Man. Part No.: 701014XXXX  
Part Name: WE-FLAT-I® Flat Wire Power Inductor SMD PartSize  
Purchase: XXXXX  
Ordering Code: 701014XXXX  
Supplier Name: Würth Elektronik iBE  
Shipping Note: XXXXXXXX  
Index: XXXXXXXX

Customer Name: XXXXX  
Supplier-ID: XXXX  
Package-ID: SXXXXXXXX011  
1. Batch: XXXXXXXX  
2. Batch: XXXXXXXX  
Man-Loc.: CZE-BUDWEIS  
Suppl.Data: XXXX  
MSL: 1



## Remark:

The component has not been developed and is not intended for safety-relevant applications. A use in safety-relevant applications requires a separate written approval by Würth Elektronik iBE GmbH

Do not use the product beyond the nominal rated current as this may create excessive heat and will void the warranty

Components free from grease, oil, silicone, stamping agents or hand creme

Components have to comply RoHS and REACH

Support of IMDS data base

**Customer:**  
General release:

Date

Signature