

# KSA & KSL MKII Series High Performance Sealed Tact Switch

## Features/Benefits

- Highest tact switch sealing performance
- Improved sealing through a modification of the crimping technique and to a double overmolding of the terminal
- Totally sealed
- Up to 1M operations

## Typical Applications

- Automotive
- Industrial
- Telecommunication networks
- Household appliances
- Heating control systems



## Specification

CONTACT ARRANGEMENT: SPST, N.O.  
TERMINALS: PC pins

## Mechanical

Type	Actuation force N (grams)	Operating life (operations)	Travel to make
KSA0M212	1.3 (130)	100,000	0,5 ± 0,2
KSA0M312	1.3 (130)	1,000,000	0,5 ± 0,2
KSA0M412	3.0 (300)	100,000	0,6 ± 0,2
KSA0M512	5.0 (500)	100,000	0,7 ± 0,2
KSA0M912	3.0 (300)	500,000	0,6 ± 0,2

## Packaging

Can be delivered in tubes of 65 pieces for automatic insertion or in boxes of 500 pieces for manual insertion (250 pieces for KSL)

**NOTE:** Part numbers listed above do not represent all possible configurations. For information on specific and custom switches, consult Customer Service Center.

## Electrical

	Silver	Gold
MAXIMUM POWER:	1 VA	0.2 VA
MAXIMUM VOLTAGE:	50 VDC	50 VDC
MINIMUM VOLTAGE:	20 mV	20 mV
MAXIMUM CURRENT:	50 mA	10 mA
MINIMUM CURRENT:	1 mA	1 mA

DIELECTRIC STRENGTH: 300 Vrms  
CONTACT RESISTANCE: 50 mΩ  
INSULATION RESISTANCE (100 V): > 10<sup>11</sup> Ω  
BOUNCE TIME: 1 ms

## Environmental

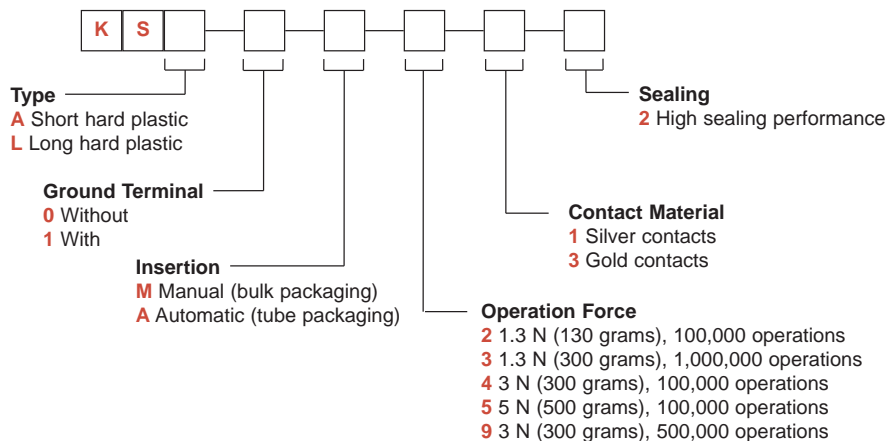
	Silver	Gold
OPERATING TEMPERATURE:	-40°C to 90°C	-40°C to 125°C
STORAGE TEMPERATURE:	-40°C to 90°C	-55°C to 125°C

## Process

Wave soldering EIA-RS448-2

## How To Order

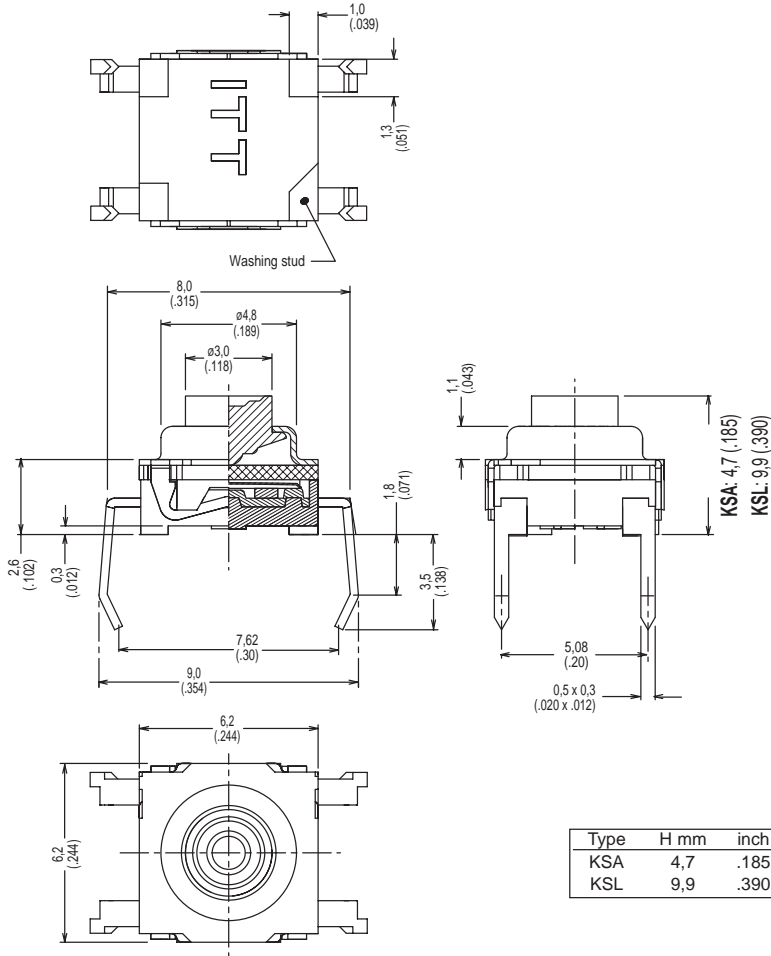
Our easy build-a-switch concept allows you to mix and match options to create the switch you need. To order, select desired option from each category and place it in the appropriate box.



# KSA & KSL MKII Series High Performance Sealed Tact Switch

TYPE

## KSA & KSL



KSA0M112



B

Tactile Switches

GROUND TERMINAL

0 WITHOUT

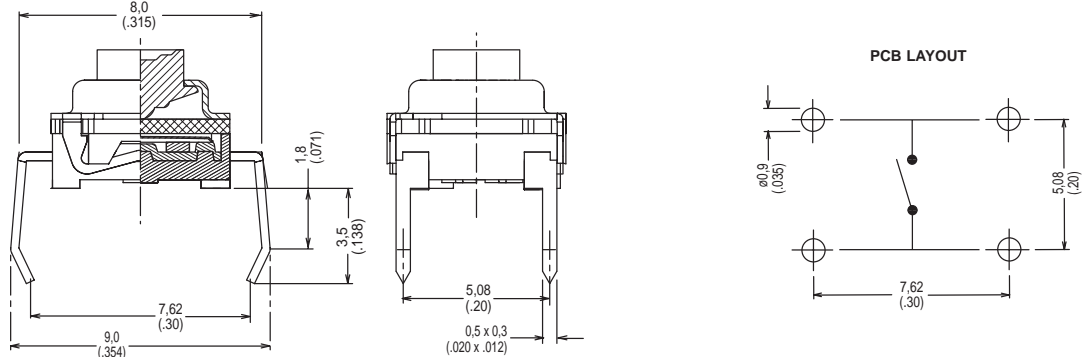
1 WITH

# KSA & KSL MKII Series High Performance Sealed Tact Switch

## INSERTION

**M** MANUAL (bulk packaging)

**A** AUTOMATIC (tube packaging)



## OPERATING FORCE

OPTION CODE	OPERATING FORCE
<b>2</b>	1.3 N (130 grams) 100,000 operations
<b>3</b>	1.3 N (130 grams) 1,000,000 operations
<b>4</b>	3 N (300 grams) more than 100,000 operations
<b>5</b>	5 N (500 grams) more than 100,000 operations
<b>9</b>	3 N (300 grams) 500,000 operations

## CONTACT MATERIAL

OPTION CODE	CONTACT MATERIAL
<b>1</b>	Silver contacts
<b>3</b>	Gold contacts

## SEALING

OPTION CODE	SEALING
<b>2</b>	High sealing performance

Tactile Switches

**B**